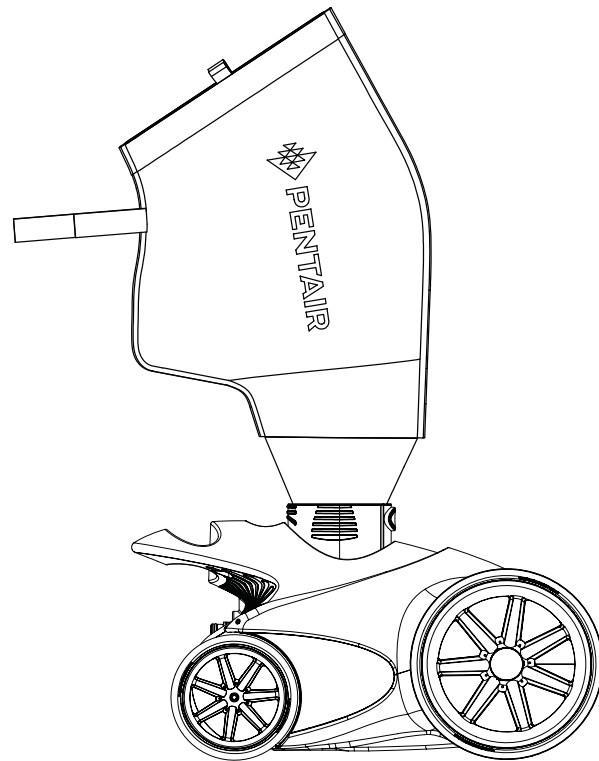




RACER[®] LS

PRESSURE SIDE POOL CLEANER



ENGLISH

ESPAÑOL

FRANÇAIS

INSTALLATION AND USER'S GUIDE

IMPORTANT SAFETY INSTRUCTIONS
READ AND FOLLOW ALL INSTRUCTIONS
SAVE THESE INSTRUCTIONS

CUSTOMER SERVICE / TECHNICAL SUPPORT

If you have questions about ordering Pentair Aquatic Systems replacement parts, and pool products, please contact:

Customer Service and Technical Support, USA

(8 A.M. to 5 P.M. — Eastern/Pacific Times)

Phone: (800) 831-7133

Fax: (800) 284-4151

Web site

Visit www.pentairpool.com or www.staritepool.com for information about Pentair products.

Sanford, North Carolina (8 A.M. to 5 P.M. ET)

Phone: (919) 566-8000

Fax: (919) 566-8920

Moorpark, California (8 A.M. to 5 P.M. PT)

Phone: (805) 553-5000 (Ext. 5591)

Fax: (805) 553-5515

TABLE OF CONTENTS

Important Warning and Safety Instructions	ii	Maintenance	9
Cleaner Overview	1	Periodic Maintenance	9
Cleaner Components	1	Tires	9
Overview	1	Debris Bags	9
Installation	2	Sweep Hose	9
Booster Pump Installation	2	Sweep Hose Roller Rings	9
Installing the Wall Fitting and Adapter	2	Backwashing the Pool Filter	9
Calculating Cleaner Speed/RPM	2	Storage and Winterizing	9
Adjusting the Hose Assembly to Fit Pool	3	Cleaning the Wall Fitting Debris Screen	9
Assembling the Cleaner	5	Replacement Parts	10
Using the Cleaner	5	Illustrated Parts List	10
Cleaner Adjustments and Operation	6	Parts List	11
Cleaner Operation	6	Troubleshooting	12
Cleaning the Debris Bag	6		
Cleaning the In-Line Filter	6		
Installing and Removing the Sweep Hose	7		
Adjusting Water Flow to the Cleaner	8		

IMPORTANT WARNING AND SAFETY INSTRUCTIONS



Important Notice:


Attention Installer: This guide contains important information about the installation, operation and safe use of this product. This information should be given to the owner and/or operator of this equipment after installation of the pool cleaner.

Attention User: This manual contains important information that will help you in operating and maintaining this pool cleaner. Please retain it for future reference. Consult Pentair with any questions regarding this equipment.

WARNING

Before installing this product, read and follow all warning notices and instructions which are included. Failure to follow safety warnings and instructions can result in severe injury, death, or property damage. Call (800) 831-7133 for additional free copies of these instructions.

Consumer Information and Safety

This pool cleaner is designed and manufactured to provide many years of safe and reliable service when installed, operated and maintained according to the information in this manual. Throughout the manual, safety warnings and cautions are identified by the “” symbol. Be sure to read and comply with all of the warnings and cautions.

WARNING

HAZARDOUS SUCTION.

Do not play with cleaner or hose or apply to body. Can trap and tear hair or body parts. Hose can trip or entangle swimmers which could result in drowning.



WARNING

SUCTION ENTRAPMENT, INJURY, AND DROWNING HAZARD. If your pool has a dedicated suction port (“vac port”) for vacuuming or for an automatic pool cleaner, it must be covered when not in use. A spring loaded safety cover (a “vac port fitting”) is included with your cleaner. Install it on the suction port to prevent entrapment and injury. If the cover provided does not fit, purchase one that does from your local pool store and install it instead. The cover should conform to IAPMO SPS4-99A.



WARNING

Stop pump before attempting to clean unit. Do not allow swimmers in pool while pool cleaner is operating.

WARNING

To reduce the risk of injury, do not let children use or play with pool cleaner.

WARNING

Do not allow swimmers in the pool while pool cleaner is operating. Hose can trip or entangle swimmers which could result in drowning.

CAUTION

Moving parts may injure hands or fingers. Stop pump before attempting to clean out pool cleaner head.

General Installation Information

Pre-Installation Check List

Before installing your cleaner, review and understand all warnings and safety information in this guide. Failure to follow these instructions or improper installation of the cleaner can result in damage to the pool finish or the vinyl liner. Most cleaners are not designed to traverse from floor to wall when the pool cove is 90%. There may be other structures installed in the pool that the cleaner cannot navigate, BE AWARE and supervise the cleaner during unique conditions. Pentair Aquatic Systems disclaims any liability for repairs or replacement to any of these structures or components of the customer’s pool.

Before installing the cleaner in a vinyl liner pool:

Check liner closely for signs of deterioration or damage from age, chemicals, pool wall damage, etc. If any damage is found, have a qualified pool professional make all the necessary repairs. Also, if there are stones, roots, etc., under the liner, remove them before installing the cleaner.

Before installing the cleaner in a gunite pool or a pool that is partially or completely tiled:

Make sure pool finish is in proper condition as staining, etching, cracking or delaminating may worsen.

Repair loose tiles and tighten any loose light rings.

Before installing the cleaner, clean your filter system:

Make sure you have cleaned the filter, including backwashing, rinsing, and emptying all baskets. A clean system is necessary for proper cleaner operation and coverage.

Before installing the cleaner, understand cleaner coverage:

The cleaner is designed to rid your pool of debris in approximately 4-6 hours. Less time could be needed, depending on the pool size. The cleaner was not designed to automatically clean steps or swimouts, or to work under a solar cover. The cleaner may get stuck in these areas which can result in damage to the pool finish or vinyl liner. Pentair Aquatic Systems disclaims any liability for repairs or replacement to any of these structures or components of the consumer’s pool. It was also not designed to do initial cleanup for a new pool or when opening your pool for the season.

AFTER installing the cleaner, make sure the cleaner is operating correctly:

The cleaner may need some minor adjustments to make sure it is operating properly so there is no damage to the pool finish. Certain vinyl liner patterns are particularly susceptible to surface wear, pattern removal, ink rubbing off of, or serious scratches to the pattern caused by objects coming into contact with the vinyl surface, including automatic pool cleaners. Pentair Aquatic Systems is not responsible for any pattern removal, abrasions or markings on vinyl liners. Periodically inspect the cleaner components and the cleaner performance to ensure it is operating as designed. Replace and/or repair any worn or damaged components. Failure to follow instructions or improper installation of the cleaner may result in damage to the cleaner, pool finish or the vinyl liner.

Warnings and safety instructions for Pentair Aquatic Systems pumps and other related products are available at:
<http://www.pentairpool.com/support/product-warnings.html> or call (800) 831-7133 for additional free copies of these instructions.

Please refer to <http://www.pentairpool.com/support/product-warnings.html> for warning and safety instructions related to this product.

IMPORTANT WARNING AND SAFETY INSTRUCTIONS

Disclaimer of Liability

About your Pool and Pressure Side Pool Cleaner

There are a multitude of factors that contribute to the life of your pool. The pool cleaner is a very passive product that will have no impact on pool life.

Please be aware that over time, deterioration, discoloration and brittleness of any pool finish can be caused separately by, or in combination with, age, an imbalance in pool water chemistry, improper installation and other factors. Pressure side pool cleaners will not remove or cause wear on “good” pool plaster. In fact, the opposite is true—pool plaster will eventually cause wear on the cleaner.

The same situation holds true for vinyl-lined in-ground swimming pools, because vinyl liners are also affected by the environment and factors such as pool water chemistry, sunlight and the pool’s surroundings. Therefore over time, vinyl can become brittle and weak. In addition, vinyl-lined pools are affected by the workmanship, composition and installation of the liner and the workmanship and quality of construction of the supporting walls and pool base. These are all factors which can contribute to liner failure. The existence of any of these type of conditions in your pool is not caused by the use or operation of the pool cleaner. The manufacturer disclaims any liability for repairs or replacement to any of these structures or components of the customer’s pool.

The pool owner must assume all responsibility for the condition and maintenance of the pool’s surface, water and deck.

Before the cleaner is installed, please take a moment to record the serial number. This number is located on your warranty card and on the back of the cleaner near the rear jets. You will be asked for this number when you contact our Technical Support Department.

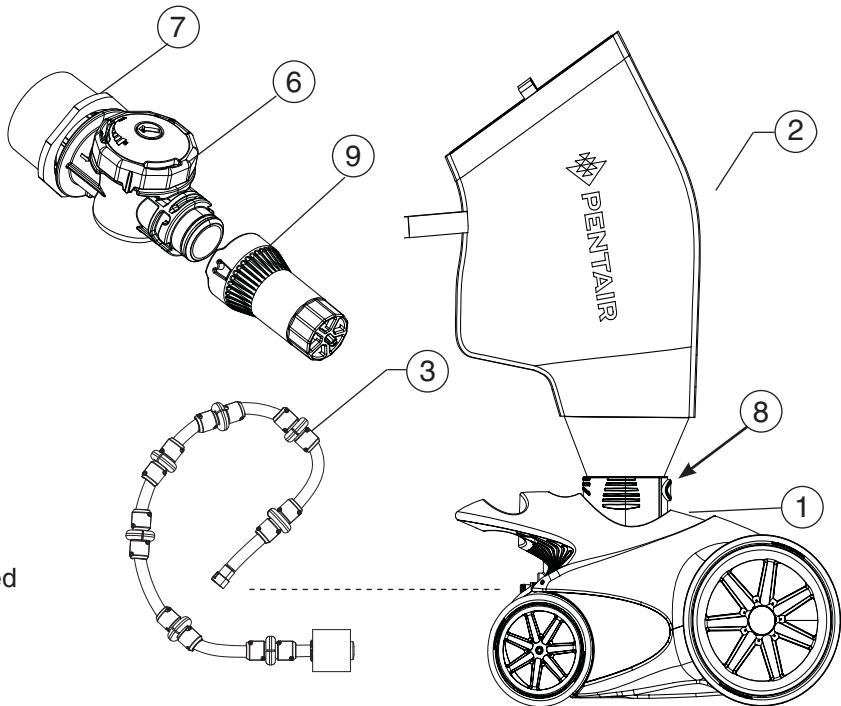
SERIAL # _____

SAVE THESE INSTRUCTIONS

CLEANER OVERVIEW

Cleaner Components

1. RACER LS Cleaner Head
2. Debris Bag
3. Sweep Hose
4. Feed Hose Assembly (Not shown)
 - 2-10 ft. [3 m.] sections
 - 1-7.5 ft. [2.3 m.] section
 - 1-2.5 ft. [0.8 m.] section
5. Backup Valve (Not shown)
6. Wall Fitting
7. Wall Adapter
8. Debris Seal
- Note:** The cleaner system is delivered with debris seal installed inside of cleaner head.
9. Flow Gauge



Overview

The RACER® LS Pressure Side Pool Cleaner travels in a random pattern throughout the pool, vacuuming and sweeping the bottom. The climbing ability of the RACER LS is dependent on the pools shape. It will climb better in pools without sharp angles or curves in the transition from the pool floor to the pool wall.

Approximately every 3-1/2 minutes the cleaner will go into back up mode. At this time the Backup Valve will pull the cleaner away from its last location, allowing the cleaner to bypass any obstruction and help randomize the pool coverage.

Note: Before you install and operate your cleaner, read through these important guidelines:

1. Always disconnect the cleaner from the pool wall when cleaning or back washing the pool filter.
2. Dirt in the plumbing will clog the cleaner. After cleaning or back washing the filter, let the filtration system run for at least five minutes before reconnecting the cleaner.
3. New plumbing lines should be flushed out before installing the cleaner.
4. The cleaner should not be used to remove plaster dust in new pools.
5. Always remove the cleaner before swimmers enter the pool.
6. Always handle the cleaner with care.
7. Always pick up the cleaner by the handle, especially when lifting the unit out of the water.
8. Do not handle the cleaner while it is operating.
9. Always remove the cleaner from the pool before chemical shock treatments (super chlorinate). As a rule, any pool water that is unsafe for swimming is unsafe for the cleaner.
10. Carefully cut the feed hose following the instructions on page 3.
11. By following these simple guidelines, you can help protect against injury and prolong the life of your cleaner.
12. Refer to "Important Warning And Safety Instructions" on pages ii - iii for additional installation and safety information.

INSTALLATION

Booster Pump Installation

Please refer to the instructions included with your booster pump for installation information.

Please follow these instructions carefully.

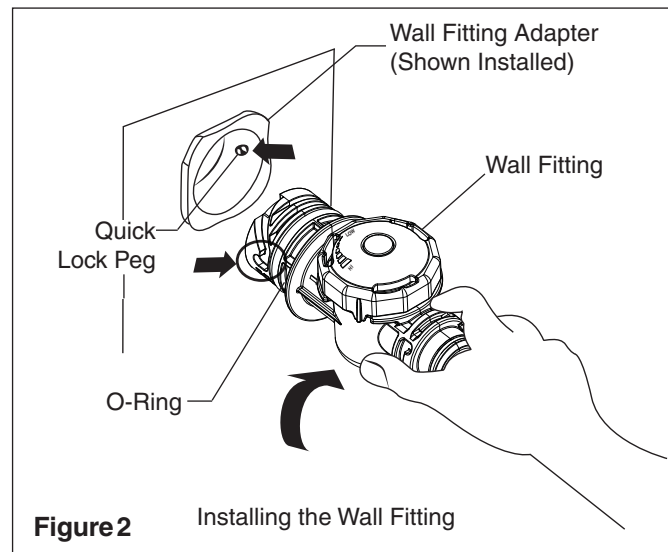
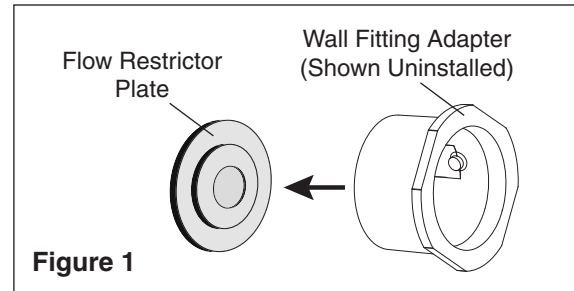
Installing the Wall Fitting and Adapter

1. Remove and disconnect any existing pool cleaner and/or wall fitting.
2. Switch **on** the filtration pump and booster pump, to flush out the plumbing line.
3. Switch **off** filter pump and booster pump.
4. *If using a wall fitting adapter produced by a manufacturer other than Pentair*, ensure that the red or blue flow restrictor plate is removed from the wall fitting adapter before continuing to next step.

The restrictor plate can be easily removed by pressing it out with your thumbs (See **Figure 1**).

Note: Failure to remove the flow restrictor plate from a non-Pentair wall fitting adapter will prevent the cleaner from receiving enough water flow. This will lead to a slow cleaner and longer cleaning cycles.

5. Insert wall fitting adapter into the dedicated 1-1/2" NPT threaded return line. Hand tighten until snug. See **Figure 2**.
6. Align wall fitting with the quick lock pegs inside the wall adapter. Push the wall fitting into the wall adapter until it bottoms out. Twist 1/4 turn clockwise to lock the wall fitting. **Pull gently outward to engage quick lock pegs.** See **Figure 2**.



Calculating Cleaner Speed/RPM

To determine whether the RACER® LS Pressure Side Pool Cleaner is receiving the proper water pressure:

1. Turn off the pool pump, and carefully remove the cleaner from the pool.
2. Mark the front tire/wheel with a marker, such as a blade of grass stuck under the tire.
3. Have someone restart the pool pump and booster pump while you place the cleaner just beneath the pool's water surface.

Note: Be sure to hold onto the sweep hose to avoid getting wet, as flow will return to the sweep hose when the pump is restarted.

4. Count the number of full rotations made by the marked wheel over a period of one minute. The number of rotations will give you the revolutions per minute; or RPM's.

Note: Be sure that the back-up valve isn't cycling at this time.

5. For proper performance, the RACER LS cleaner operates between 35 - 42 RPMs.

If the RPM is below 35, call your local Pool Professional or contact Pentair's Technical Support Department at 1-800-831-7133.

If the RPM is higher than 42, adjust the valve at the wall fitting, as described under "Adjusting Water Flow to the Cleaner" on page 8, until the RPMs fall back under 42 RPM.

Adjusting the Hose Assembly to Fit Pool

The hose assembly consists of: Two 10 ft. (3 m.) sections, one 7.5 ft. (2.3 m.) section, one 2.5 ft. (0.8 m.) section and a backup valve.

Important to the Performance of the Cleaner:

Measure, cut, and assemble the hose sections as described in Step 1 and Step 2. Use strong scissors or a sharp knife to cut the hoses. Be sure to slide the floats out of the way when cutting hose. Cut hose ends as straight as possible.

Step 1: Sizing Hose Section 1

1. Measure the deepest part of the pool. See **Figure 3**.

Note: The grate or domed main drain, at the bottom of the pool, is usually the deepest point. *If the depth is greater than 10 ft. [3 meters], do not cut the hose, and proceed to Step 2.*

2. If the pool depth is less than 10 ft. [3 meters], disconnect the soft light grey lead hose, labeled section one, from the back-up valve. Cut the lead hose so the length with back-up valve is equal to the deepest part of the pool. See **Figure 4**.

Example: *If the pool is 8.5 ft. [2.6 meters] deep, cut 1.5 ft. [0.5 meters] off of the hose labelled section one (since the hose is 10 ft. [3 meters]).*

3. Discard excess hose. Reconnect the newly cut lead hose to the back-up valve on the feed hose. All three hose sections should now be connected.

Step 2: Sizing Hose Sections 2 and 3

4. Attach the hose assembly to the wall fitting. See **Figure 5**. Then attach the wall fitting (with hose) to the wall adaptor. See **Figure 5**. Take the opposite end of the hose assembly and walk to the farthest point of the pool from the wall adaptor. **To prevent over stretching the hose, rest the hose on top of the pool water.** Measure the excess hose length (hose that extends beyond pool edge). This determines the amount of hose to be cut from sections 2 and 3.
5. Disconnect feed hose assembly from the wall adaptor. Disconnect sections 2 and 3 from the first swivel closest to the wall fitting.
6. Cut half of the total excess hose length from each hose labeled section 2 and section 3 (assembled with four floats) equally. **Both feed hose sections should be the same length after cutting.**

Example: *If there is 6 ft. [1.8 meters] of excess hose. Cut 3 ft. [0.9 meters] off of section 2 and section 3. (Half of 6 ft. [1.8 meters] = 3 ft. [0.9 meters] each)*

If more than 3 ft. [0.9 meters] is cut from each hose section, remove one (1) float from each hose section.

Note: For large pools requiring extra hose lengths you will need to purchase one (1) additional hose, P/N 360266 (10 ft. [3 meters] single hose). Attach extra hose sections at the wall fitting using supplied swivel and mender nuts.

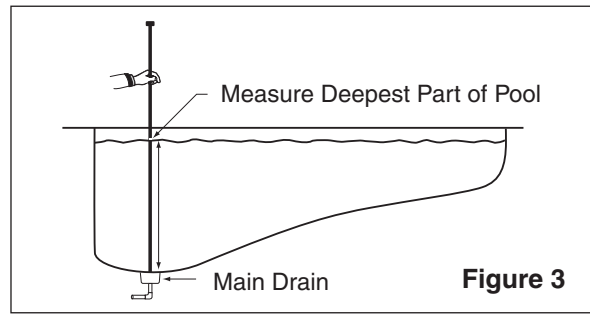


Figure 3

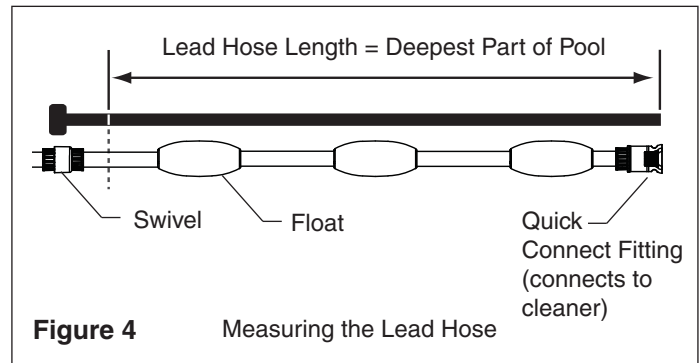


Figure 4

Measuring the Lead Hose

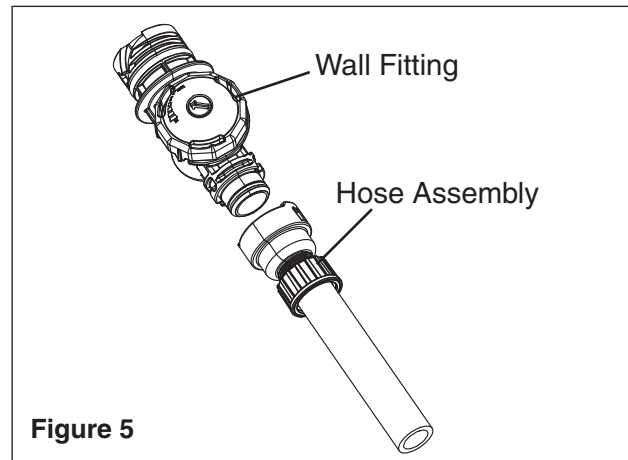


Figure 5

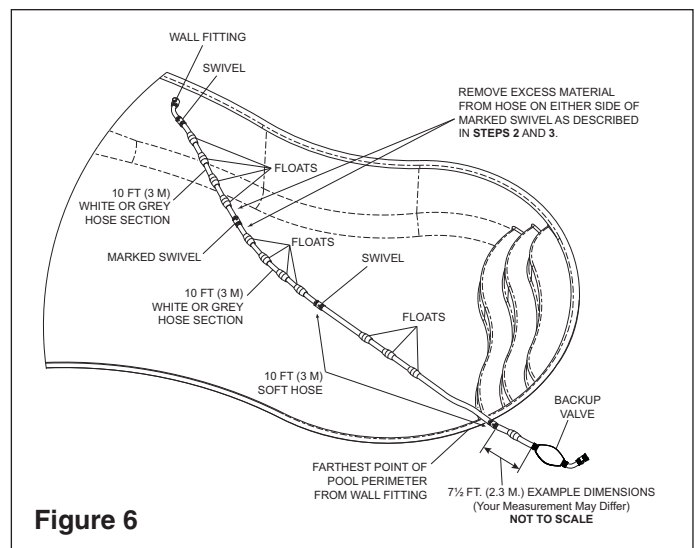


Figure 6

Step 3: Connecting Hose Sections

1. After the hose sections have been cut to size, reconnect them by pushing the hose end over the barb on the swivel.

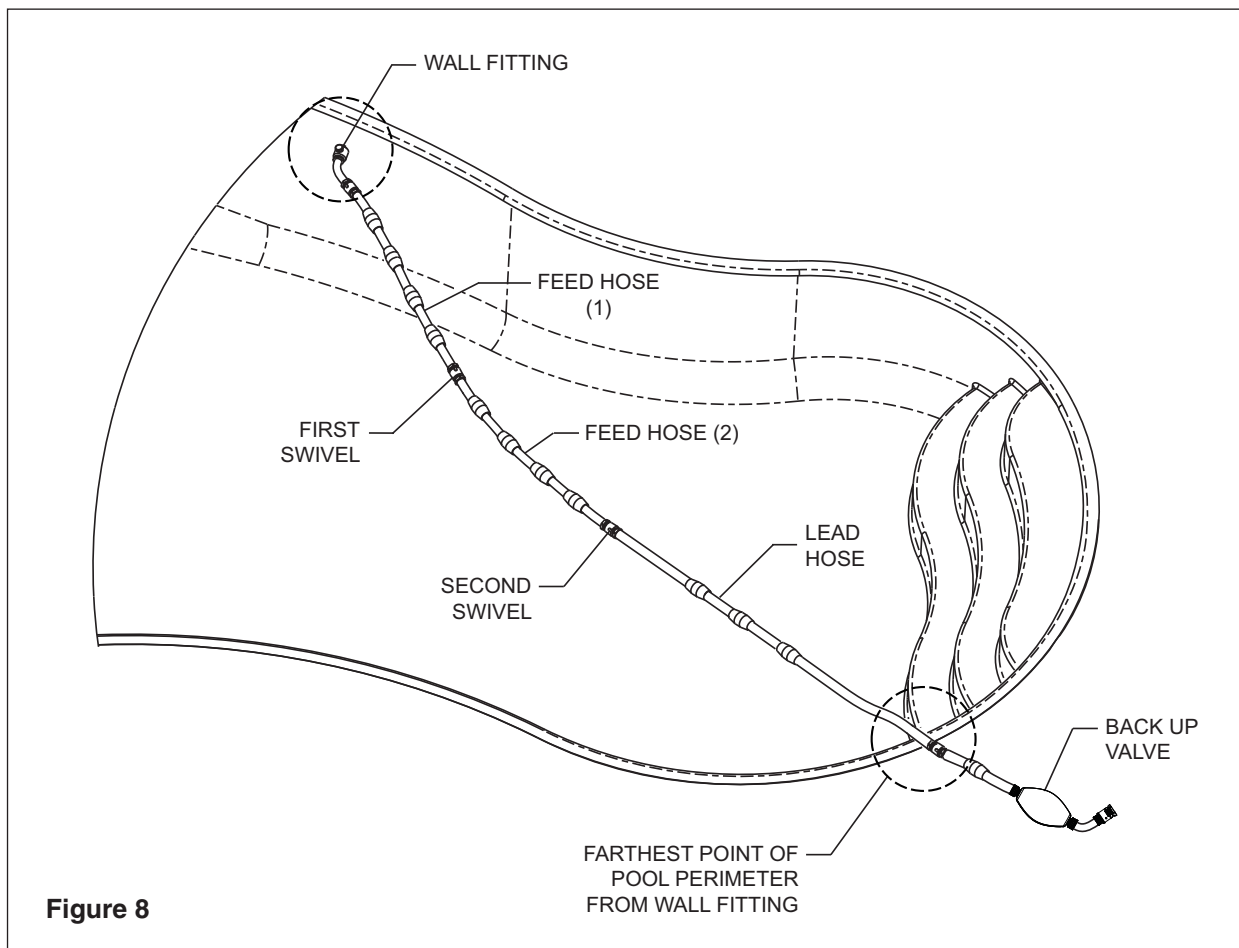
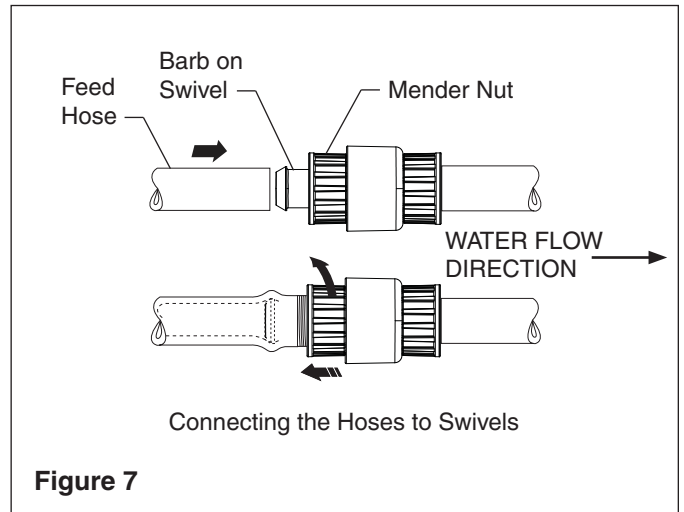
Note: Be sure to push the hose all the way to the bottom of the barb.

2. Move the mender nut toward the hose by turning clockwise and rotating until tight on hose. Use pliers if needed.

Note: Be sure the same number of floats are left on hose sections 2 and 3, as described in Step 2 on page 3.

3. To check that the hose is cut to the correct length, reconnect the hose and wall fitting to the wall adaptor. Take the opposite end of the hose assembly and walk to the farthest point of the pool from the wall adaptor. The hose should reach the edge of the pool but should not extend more than 6 inches beyond the pool edge.

4. You can now connect the cleaner to the hose.

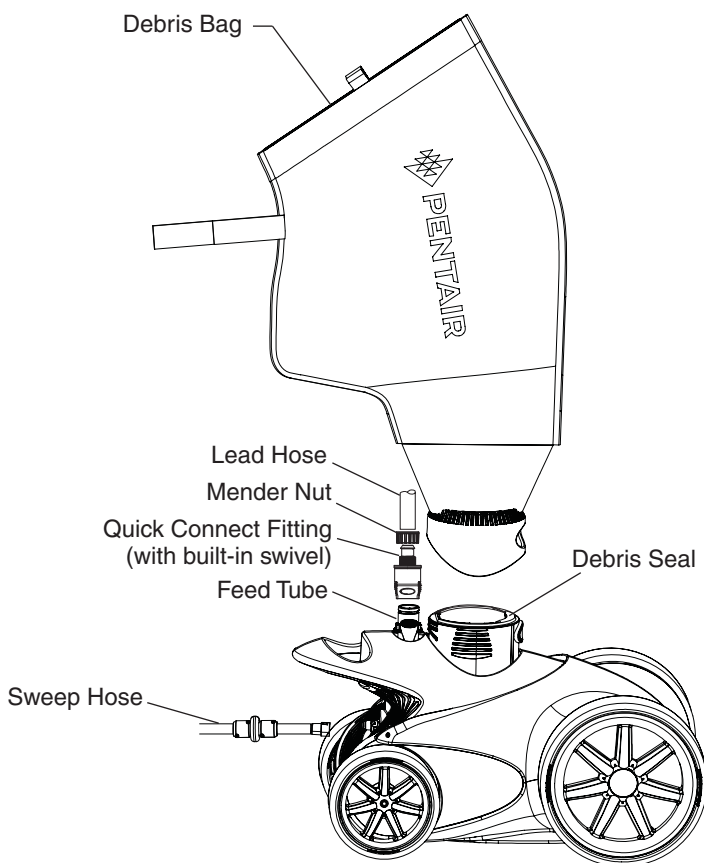


Assembling the Cleaner

1. Attach the Quick Connect fitting on the end of the hose to the feed tube on the RACER® LS Pressure Side Pool Cleaner. Be sure the snaps are engaged.
2. Attach the debris bag to the cleaner. Push the bag over vacuum tube to click it into place.
3. Review checklist before use:
 - Hoses cut properly and floats evenly spaced.
 - Mender nuts are tight on feed hose.
 - Wall fitting secure and in place.
 - Debris bag and hose assembly attached.
 - Ensure debris seal is attached. See **Figure 9**.

Using the Cleaner

1. Lower the cleaner carefully into pool.
2. Switch ON the FILTER PUMP.
3. Wait at least 60 seconds to allow air to blow out of the hose.
4. Switch ON the BOOSTER PUMP.



Assembling the Cleaner

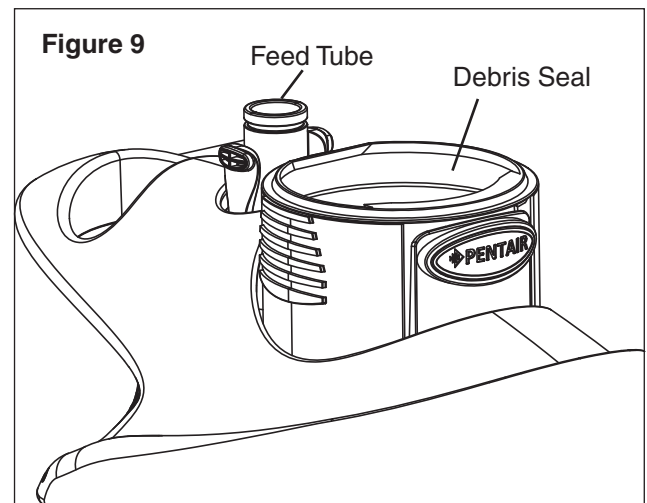


Figure 9

CLEANER ADJUSTMENTS AND OPERATION

Cleaner Operation

Note: The RACER® LS Pressure Side Pool Cleaner may need some minor adjustments to ensure it is operating properly and to get the best performance possible.

When operating correctly, the cleaner will travel in a random pattern throughout the pool, vacuuming and sweeping the pool.

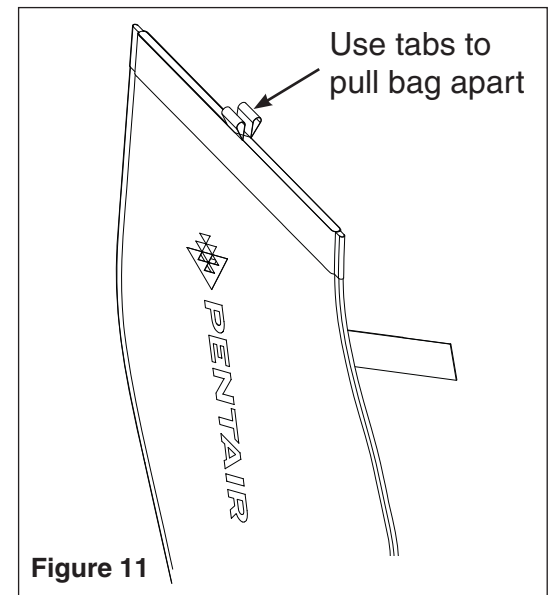
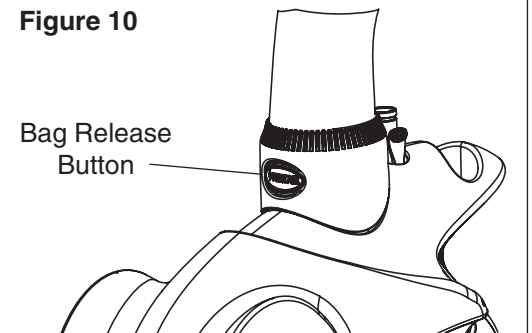
- The climbing ability of the cleaner depends on the pool structure and water flow.
- Two hour cleaning cycle is recommended for average size residential (15' x 30' [4.6 m x 9.1 m]) pools.
- It will perform more efficiently in pools without sharp transitions between pool floor and walls.
- The cleaner goes into a back up mode approximately every 3-1/2 minutes for approximately 15 seconds.
- If pool has a high level of debris, run the cleaner in two short cycles. Empty the debris bag between cycles.

Cleaning the Debris Bag

1. Detach the bag strap from the hose.
2. Press the release button on the cleaner vacuum tube and carefully pull up to remove the bag from the cleaner. See **Figure 10**.
3. Open bag closure by pulling apart the fabric tabs at the top of the bag (see **Figure 11**). Holding the bottom of the bag, turn over to empty debris out of the top. If needed, rinse bag with a hose.
4. To close, press together the hook and loop fabric at the top of the bag and run finger along entire length of bag so it is completely closed.
5. Be sure debris seal is on the vacuum tube. See **Figure 9**, on page 5.
6. Slide the debris bag collar over the vacuum tube until it clicks in place.
7. Reattach the strap onto the feed hose.
8. To keep bag from folding during operation, attach the strap above first feed line float. Slide float down if needed.

Note: It is easier to empty the debris bag when it is dry. A second bag (purchased separately) may be used while the used debris bag is drying.

Figure 10

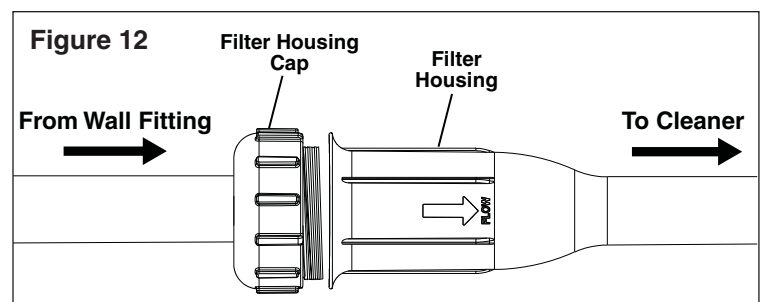


Cleaning the In-Line Filter

When cleaning the cleaner's debris bag you should also inspect the in-line filter's debris screen. The debris screen will be found roughly 18 inches (45.7 mm) from the wall fitting.

To clean the in-line filter's debris screen:

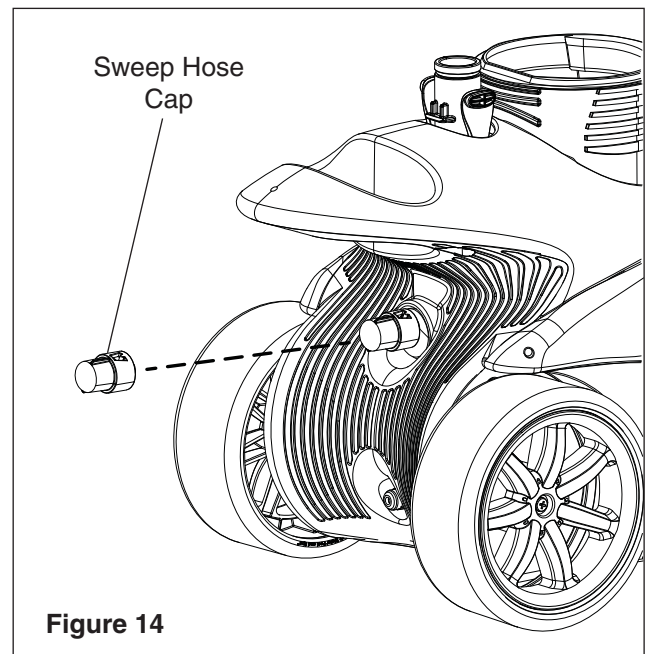
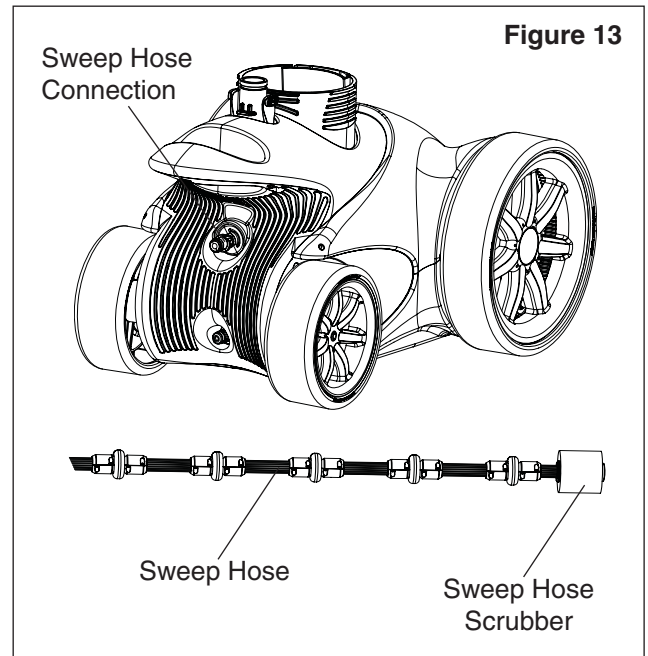
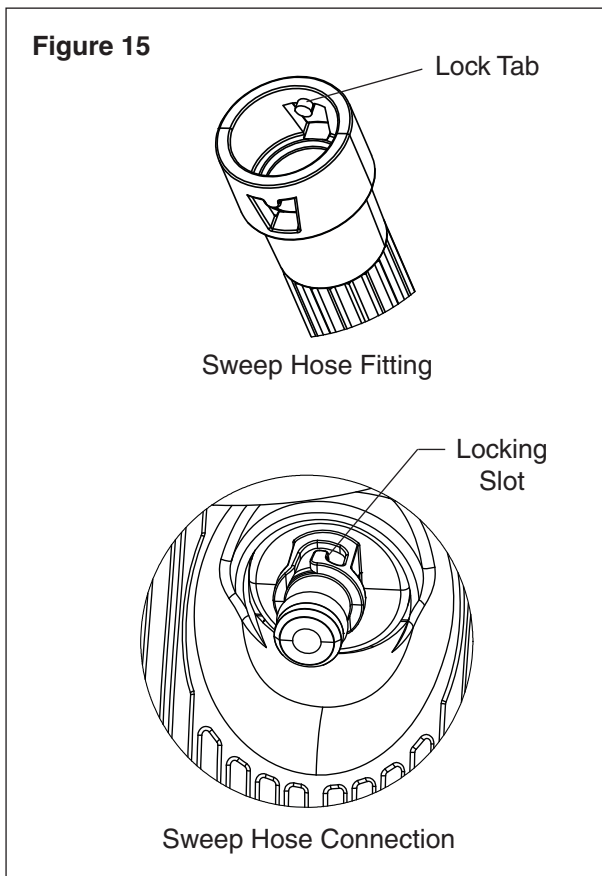
1. Pull the cleaner out of the water and place it flat on the pool deck.
2. Twist apart the filter housing cap and filter housing.
3. Remove the debris screen from the filter housing and remove all debris. Use a hose to flush out any dirt.
4. Reinstall the debris screen into the filter housing and thread the housing cap back onto the housing. Hand tighten only.



Installing and Removing the Sweep Hose

The Racer® LS Pressure Side Pool Cleaner comes from the factory with a Sweep Hose Cap installed over the Sweep Hose Connection (see **Figure 14**). This cap blocks flow through the sweep hose connection when the sweep hose is not being used.

1. To remove the sweep hose cap, while pushing the sweep hose cap in towards the cleaner, turn it 1/4 turn counter-clockwise to unlock. Remove the cap from the sweep hose connection by pulling it straight off the sweep hose connection.
2. Line up the lock tabs on the inside of the sweep hose fitting (small round fitting on the end of the sweep hose) to the locking slots on the cleaner's sweep hose connection. See **Figure 15**.
3. Push the sweep hose fitting onto the sweep hose connection and turn clockwise until it stops (about 1/4 turn). Pull the sweep hose fitting away from the cleaner to lock it into place.
4. To remove the sweep hose, while pushing the sweep hose fitting towards the cleaner turn counter-clockwise until it stops (about 1/4 turn). Pull the sweep hose from the sweep hose connection and store it in a safe place.



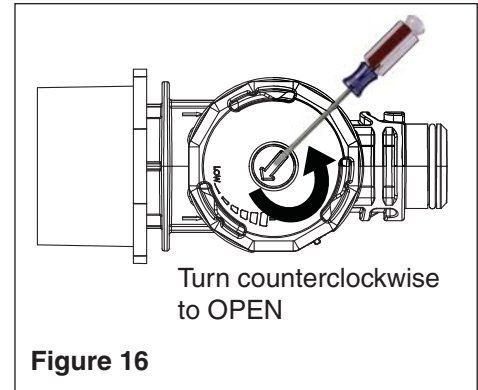
Adjusting Water Flow to the Cleaner

Incorrect water flow to the RACER® LS Pressure Side Pool Cleaner can cause a variety of performance issues. **To achieve proper performance, the RACER LS cleaner must operate between 35 - 42 RPMs.** See page 2, “Calculating Cleaner Speed/RPM” for instructions on determining your cleaner’s RPM.

Flow can be adjusted at the wall fitting using the wall fitting valve.

To adjust flow to the cleaner:

1. Using a flathead screwdriver, turn the valve clockwise (to reduce flow) or counter-clockwise (to increase flow). See **Figure 16**.



MAINTENANCE

Periodic Maintenance

Periodically inspect the RACER® LS Pressure Side Pool Cleaner and its components. Replace and/or repair any worn or damaged components. Failure to follow instructions or improper installation of the cleaner can result in damage to the cleaner, pool finish, or vinyl liner. The following parts are wear items that should be inspected periodically and replaced as needed:

Tires

The tires are designed to protect the bottom of your pool and provide traction. Tires will wear and need to be replaced occasionally.

Debris Bags

The cleaner comes with a general purpose bag and is used for all debris types. Replace bag when the fabric is torn or punctured.

Note: To prolong the life of your cleaner, remove it from pool before adding chemicals.

Sweep Hose

The sweep hose is provided to help keep hard to reach corners of your pool clean. Replace sweep hose scrubber as necessary if used.

Sweep Hose Roller Rings

Your sweep hose has a series of roller rings to protect the sweep hose. Replace the rings as needed. Ensure the roller rings rotate freely.

Backwashing the Pool Filter

Always disconnect the cleaner from the pool wall before cleaning or backwashing the pool filter. After cleaning or backwashing, let the pool filtration system and booster pump run for a minimum of five minutes to flush out the return lines before reconnecting the cleaner.

Storage and Winterizing

You may leave the wall adapter in the wall and store the hoses straight, without any kinks. If storing the hose coiled, be sure to lay the hose straight in the sun for 12 to 24 hours before using again.

Cleaning the Wall Fitting Debris Screen

Inside the wall fitting is a stainless steel screen that acts as a secondary filter. This screen captures debris that may have passed through the pool filter.



The wall fitting debris screen should be cleaned once a week.

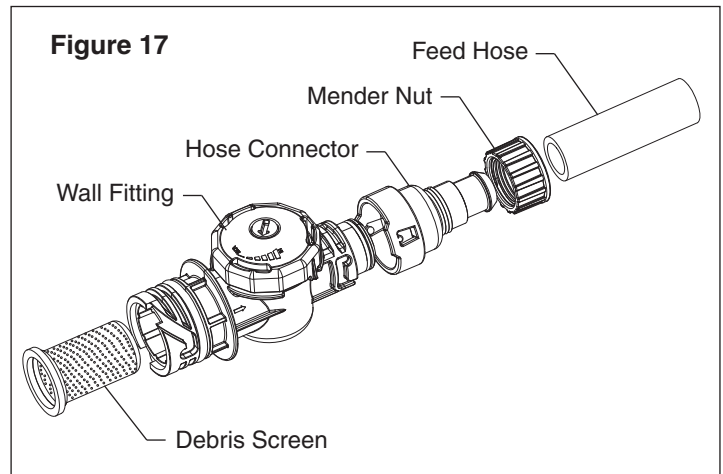
Failure to regularly clean the debris screen could damage the cleaner.

IMPORTANT! A dirty screen may be an indication of potential issues in your pool filter system and you may need to contact your local pool professional.

Note: Running the cleaner without the debris screen can damage the cleaner and void the warranty.

To clean the debris screen:

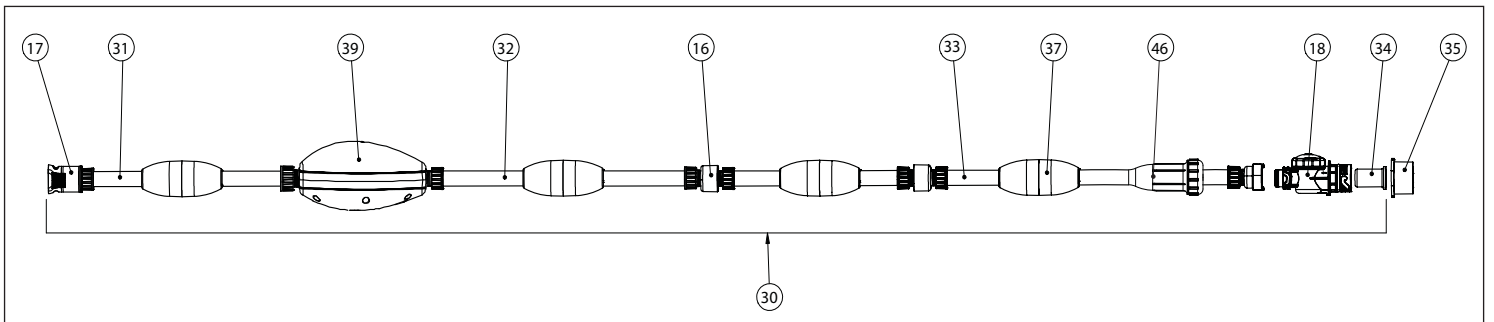
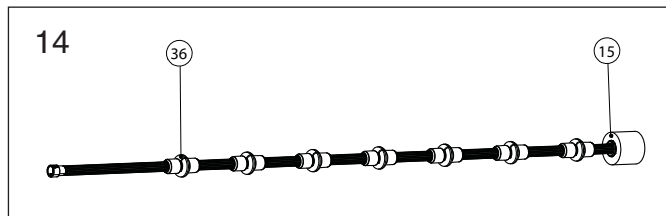
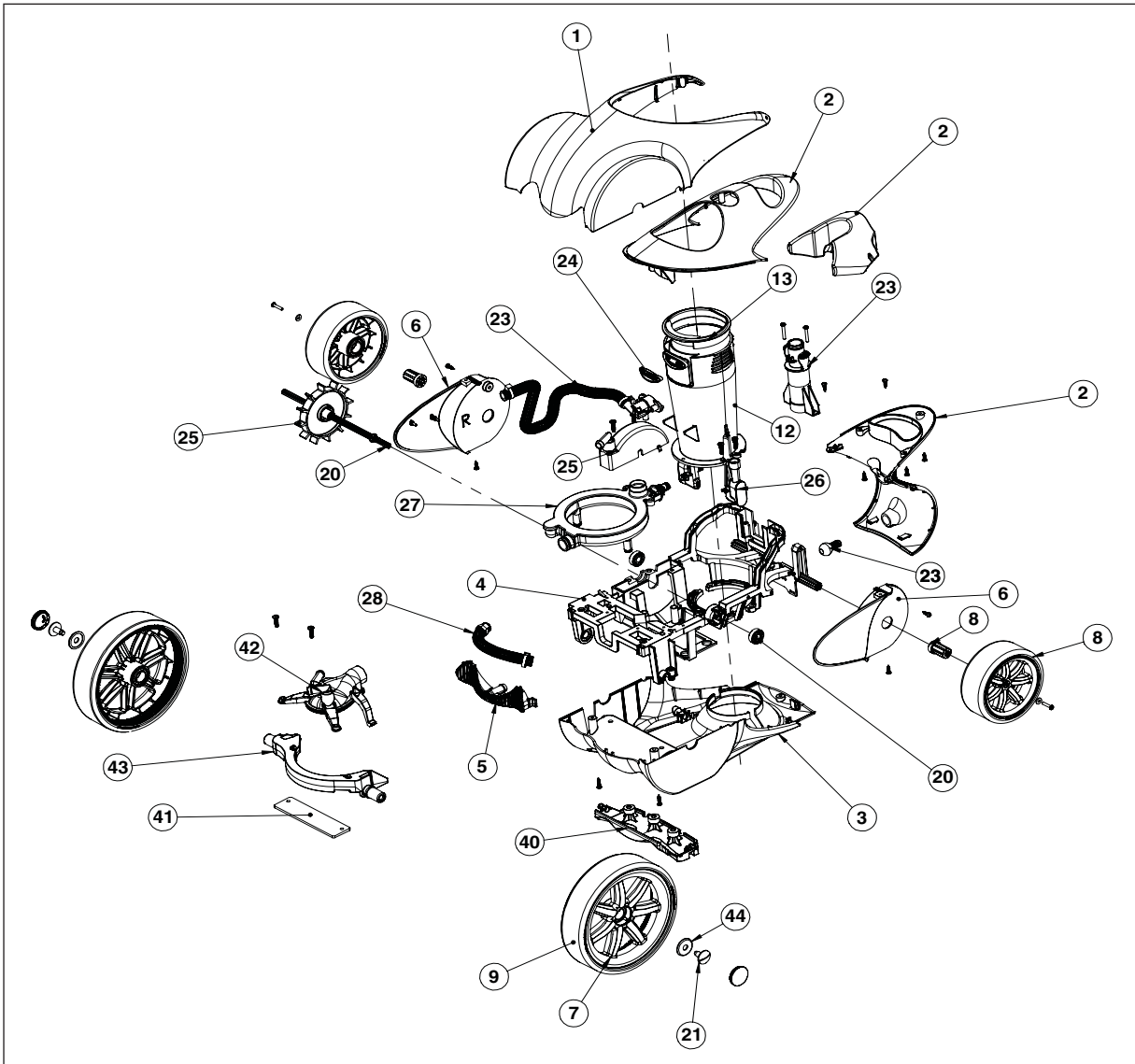
1. Switch the booster pump and then the filtration pump off.
2. Remove the wall fitting from the wall adaptor.
3. Pull the screen out from inside the wall fitting.
4. Rinse thoroughly until clean and insert back inside the wall fitting.
5. Whenever cleaning, backwashing or repairing the pool filter, also clean the wall fitting screen after your first cleaner cycle.



Cleaning the Debris Screen

REPLACEMENT PARTS

Illustrated Parts List



Parts List

ITEM NO.	PART NUMBER	DESCRIPTION
1	360422	Top Front Cover Kit
2	360425	Rear Cover Kit
3	360424	Bottom Cover Kit
4	360427	Chassis Kit
5	360426	Grill Kit
6	360423	Side Covers Kit
7	360235	Large Wheel Kit
8	360236	Small Wheel Kit
9	360237	Large Tires Kit
10*	360240	Debris Bag Kit (w/o collar), hook and loop fastener
11*	360241	Debris Bag Collar Kit
12	360242	Vacuum Tube Kit
13	360243	Debris Valve Kit
14	360244	Sweep Hose Kit
15	360245	Sweep Hose Scrubber Kit
16	360249	Feedline Swivel Kit
17	360250	Feedline Quick Connector Kit
18	360251	Feedline Wall Connector Kit
19	360252	Feed Line Connector Kit
20	360253	Drive Shaft Kit
21	LLC55PMB	Wheel Screw Kit
22*	360255	Screw Kit
23	360419	Thrust Hose Kit
24	360258	Rubber Button Kit

ITEM NO.	PART NUMBER	DESCRIPTION
25	360414	Turbine Housing Kit
26	360260	Venturi Manifold Kit
27	360416	Water Management Kit
28	360420	Turbine Hose Kit
29	360417	Tune Up Kit
30	360431	Hose Assembly, Complete
31	360429	Leader Hose Kit, 2.5'
32	360430	Leader Hose Kit, 7.5'
33	360266	Hard Feedline Hose Kit, 10'
34	E24	Debris Screen
35	LL23PM	Threaded Wall Adapter
36	EB10G	Sweep Hose Wear Ring
37	360270	Feed Line Float
38*	360268	Feed Line O-Ring Kit
39	360428	Backup Valve Kit
40	360421	Scrubber Cover Kit
41	360418	SS Weight Kit
42	360415	Manifold Kit
43	360434	Axle Replacement Kit
44	EC64	Wheel Washer Kit
45*	360436	Sweep Hose Cap
46	360392	In-Line Filter Assembly
47*	360437	Replacement In-Line Filter Screen Kit

Note: (*) Not shown

TROUBLESHOOTING

Use the following troubleshooting information to solve potential issues with the RACER® LS Pressure Side Pool Cleaner.

Problem	Corrective Action
Cleaner doesn't move or moves slowly.	<p>Ensure filter pump and booster pump are on and moving water. (You may need to clean your pool filter system.)</p> <p>Ensure the wall fitting debris screen is free of debris; you may need to remove and rinse. See page 9.</p> <p>Ensure the in-line filter's debris screen is free of debris; you may need to remove and rinse. See page 6.</p> <p>Check for proper flow by calculating cleaner speed/RPM (see page 2). Adjust the flow at the wall fitting if needed (see page 8).</p> <p>Check all feed hose connections and swivels for leaks.</p> <p>Ensure a flow restrictor plate is not installed in the wall fitting adapter. Remove restrictor plate if present. See page 2.</p> <p>Check for debris that may be jammed in the gear teeth on one of the front drive wheels. Gently rotate the front wheels backward to dislodge debris.</p> <p>Check to see if the rear wheels are spinning freely. Replace wheels if necessary.</p> <p>Ensure the backup valve cycles approximately every 3-1/2 minutes, repositioning the cleaner.</p>
Cleaner hangs at steps.	<p>Ensure the backup valve cycles approximately every 3-1/2 minutes, repositioning the cleaner.</p> <p>Check for proper flow by calculating cleaner speed/RPM (see page 2). Adjust the flow at the wall fitting if needed (see page 8).</p>
Cleaner tilts to one side.	<p>Usually indicates a full debris bag. Empty the debris bag (see page 6).</p> <p>Note: Cleaner at times will tilt on one side (on two wheels) during a turn cycle. Watch the cleaner for a few minutes to see if it positions itself upright.</p>
Cleaner does not go in reverse.	<p>Ensure the backup valve cycles approximately every 3-1/2 minutes, repositioning the cleaner.</p> <p>Check for proper flow by calculating cleaner speed/RPM (see page 2). Adjust the flow at the wall fitting if needed (see page 8).</p> <p>Ensure the wall fitting debris screen is free of debris; you may need to remove and rinse. See page 9.</p> <p>Ensure the in-line filter's debris screen is free of debris; you may need to remove and rinse. See page 6.</p>
Cleaner will not climb.	<p>Check debris bag. Empty the debris bag if full.</p> <p>Check for proper flow by calculating cleaner speed/RPM (see page 2). Adjust the flow at the wall fitting if needed (see page 8).</p> <p>Note: The climbing ability of the cleaner depends on pool shape and available water flow. It will climb better in pools without sharp angles or in the transition from the pool floor to the pool wall.</p>
Hoses tangling in loops.	<p>Check the length of the feed hose. If it is too long it may cause the hose to tangle or loop. See page 3 for sizing feed hose.</p> <p>Ensure the feed hose is floating on the pool surface. Hose floats should be spaced approximately two feet apart. See page 3 for hose float positioning.</p> <p>Ensure the hose swivels spin freely. Replace swivels if tight.</p> <p>Ensure the feed hose has no kinks or bends.</p>
Booster pump very noisy.	<p>Ensure filter pump and booster pump are on and moving water. (You may need to clean your pool filter system.)</p> <p>Ensure wall fitting is properly installed. If leaking, O-Ring may need to be replaced.</p> <p>Contact your local pool professional - possible booster pump issue.</p>
Rear wheels dragging/not spinning.	<p>Ensure the wheel is free of tangled debris.</p>

NOTES

ENGLISH



1620 HAWKINS AVE., SANFORD, NC 27330 • (919) 566-8000
10951 WEST LOS ANGELES AVE., MOORPARK, CA 93021 • (805) 553-5000

WWW.PENTAIRPOOL.COM

All Pentair trademarks and logos are owned by Pentair or one of its global affiliates. Pentair Aquatic Systems® and RACER® are registered trademarks of Pentair Water Pool and Spa, Inc. and/or its affiliated companies in the United States and/or other countries. Unless expressly noted, names and brands of third parties that may be used in this document are not used to indicate an affiliation or endorsement between the owners of these names and brands and Pentair Water Pool and Spa, Inc. Those names and brands may be the trademarks or registered trademarks of those third parties. Because we are continuously improving our products and services, Pentair reserves the right to change specifications without prior notice. Pentair is an equal opportunity employer.

© 2016 Pentair Water Pool and Spa, Inc. All rights reserved. This document is subject to change without notice.



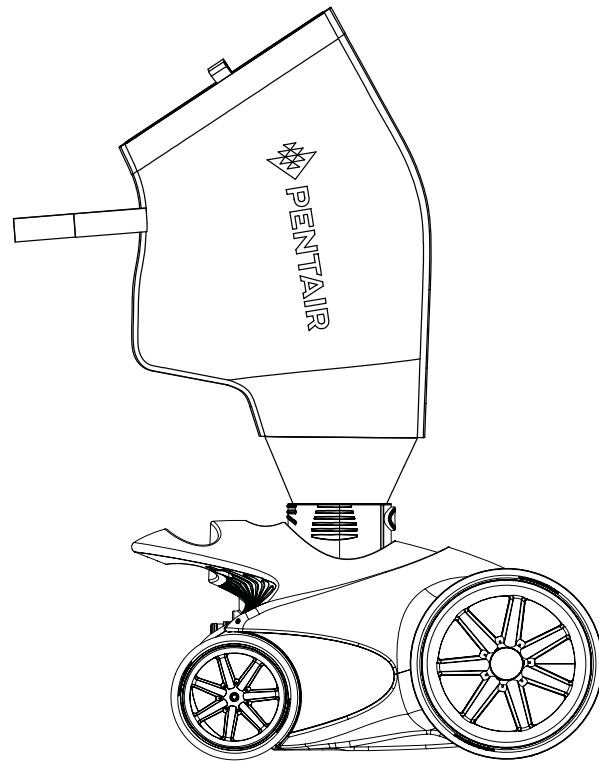
P/N 371824 REV. A 10/25/16



RACER[®] LS

LIMPIAFONDOS DE PRESIÓN LATERAL

ESPAÑOL



MANUAL DE INSTALACIÓN

GUÍA DEL USUARIO

INSTRUCCIONES DE SEGURIDAD IMPORTANTES
LEA Y SIGA ESTAS INSTRUCCIONES
GUARDE ESTAS INSTRUCCIONES

SERVICIO AL CLIENTE / SOPORTE TÉCNICO

Si tiene consultas acerca de cómo pedir piezas de repuesto de Pentair Aquatic Systems y productos para piscina, por favor contáctese con:

Servicio al cliente y soporte técnico, EE. UU.

(de 8 A.M. a 5 P.M. — Hora del Este/Pacífico)

Teléfono: (800) 831-7133

Fax: (800) 284-4151

Sitio web

Visite www.pentairpool.com o www.staritepool.com para obtener más información sobre los productos Pentair.

Sanford, North Carolina (8 A.M. a 5 P.M. ET)

Teléfono: (919) 566-8000

Fax: (919) 566-8920

Moorpark, California (8 A.M. a 5 P.M. PT)

Teléfono: (805) 553-5000 (Ext. 5591)

Fax: (805) 553-5515

ÍNDICE

Advertencias e instrucciones de seguridad importantes	ii	Mantenimiento	9
Información general	1	Mantenimiento periódico	9
Componentes del limpiafondos	1	Llantas	9
Información general	1	Bolsas de desperdicios	9
Instalación	2	Manguera de barrido	9
Instalación de la bomba de refuerzo	2	Juntas rotativas de la manguera de barrer	9
Instalación del accesorio de pared y el adaptador	2	Antes de hacer un lavado a contracorriente del filtro de la piscina	9
Cómo calcular la velocidad/RPM del limpiafondos	2	Guardado y preparación para el invierno	9
Ajustar el conjunto de la manguera para fijar a la piscina	3	Limpieza de la malla de residuos de accesorios para pared	9
El montaje del limpiador	5	Piezas de repuesto	10
Usando el limpiador	5	Ilustraciones de la lista de partes	10
Ajustes del limpiafondos y funcionamiento	6	Lista de partes	11
Funcionamiento del limpiafondos	6	Localización de problemas	12
Limpieza de la bolsa de desperdicios	6		
Cómo limpiar el filtro en línea	6		
Instalar y desinstalar la manguera de barrido	7		
Ajuste del caudal de agua al limpiafondo	8		

ADVERTENCIAS E INSTRUCCIONES DE SEGURIDAD IMPORTANTES



Aviso importante:

Atención persona encargada de la instalación: Esta guía contiene información importante sobre la instalación, la operación y el uso seguro de este producto. Se le debe proporcionar esta información al dueño u operador del equipo luego de la instalación del limpiafondos.

Atención usuario: Este manual contiene información importante que lo ayudará a operar y mantener este limpiafondos. Por favor, consérvelo para futuras referencias. Consulte a Pentair por cualquier consulta relacionada a este equipo.



ADVERTENCIA Antes de instalar este producto, lea y siga todas las instrucciones y preste atención a las advertencias que se incluyen

No seguir las instrucciones ni prestar la debida atención a las advertencias puede ocasionar daños a la propiedad, lesiones graves y hasta la muerte. Llame al (800) 831-7133 para obtener copias adicionales y gratuitas de las instrucciones.

Información y seguridad del cliente

Este limpiafondos está diseñado y fabricado para proporcionar muchos años de servicio seguro y fiable cuando se instala, opera y mantiene según la información dada en este manual. En todo el manual, las advertencias de seguridad y de precaución están identificadas con el símbolo "⚠". Asegúrese de leer y cumplir con todas las advertencias y precauciones.



SUCCIÓN PELIGROSA

No juegue con el limpiafondos o las mangueras ni las aplique al cuerpo. Puede atrapar y destrozar cabello y partes del cuerpo. Las mangueras pueden hacer que las personas se tropiecen o se enreden, lo que podría provocar ahogamiento.



PELIGRO DE ATASCAMIENTO POR SUCCIÓN, HERIDAS Y AHOGO Si su piscina tiene una boca de succión para aspirar o para un limpiado automático de la piscina y no se usa, debe estar cubierto. Junto con su limpiafondos se incluye una cubierta de seguridad accionada por resortes. Instale la cubierta en la boca de succión para prevenir atascamientos o heridas. Si la cubierta proporcionada no encaja, compre una nueva que sí encaje en su tienda local e instale esa en cambio. La cubierta debe ser de conformidad con IAPMO SPS4-99A.



Apague la bomba antes de limpiar la unidad. No permita que personas ingresen a la piscina mientras está funcionando el limpiafondos.



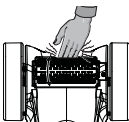
Para reducir los riesgos de heridas, no permita que niños usen o jueguen con el limpiafondos.



No permita que personas ingresen a la piscina mientras está funcionando el limpiafondos. Las mangueras pueden hacer que las personas se tropiecen o se enreden, lo que podría provocar ahogamiento.



Las piezas que se mueven pueden lastimar manos y pies. Detenga la bomba antes de intentar limpiar el cabezal del limpiafondos.



Información de instalación general

Lista de verificación previa a la instalación

Antes de instalar su limpiafondos, revise y entienda todas las advertencias e información de seguridad en esta guía. No seguir las instrucciones o instalar el limpiafondos inadecuadamente puede ocasionar daños al revestimiento de la piscina o al revestimiento de vinilo. La mayoría de los limpiadores no están diseñados para pasar del fondo a la pared cuando la moldura cóncava es del 90%. Puede que haya otras estructuras instaladas en la piscina por las que el limpiador no puede desplazarse. Tome esto en cuenta y supervise el limpiador cuando se encuentre en condiciones únicas. Pentair Aquatic Systems no será responsable por reparaciones o reemplazo de cualquiera de estas estructuras o componentes de la piscina del cliente.

Antes de instalar un limpiafondos en una piscina con revestimiento de vinilo:

Observe el revestimiento con detenimiento para detectar marcas de deterioro o daños por el tiempo de uso químicos, daños en la pared de la piscina, etc. Si se detectan daños, deje que un profesional de piscinas haga las reparaciones necesarias. Asimismo, si hay piedras, raíces u otros objetos debajo del revestimiento, retírelos antes de instalar el limpiador.

Antes de instalar el limpiafondos en una piscina de hormigón proyectado o una piscina que está parcial o completamente embalsada:

Asegúrese de que el revestimiento esté en las condiciones adecuadas ya que las manchas, los grabados, las rajaduras o el deslaminado pueden empeorar. Repare cualquier baldosa y ajuste cualquier junta de las luces que esté suelta.

Antes de instalar el limpiafondos, limpie su sistema de filtrado.

Asegúrese de haber limpiado el filtro, incluido el lavado a contracorriente, enjuague y vaciado de todos los canastos. Un sistema limpio es necesario para una limpieza y cobertura adecuada.

Antes de instalar el limpiafondos, entienda la cobertura del limpiador.

El limpiafondos está diseñado para quitar de su piscina los desperdicios en aproximadamente 4-6 horas. Dependiendo del tamaño de la piscina, puede tomar menos tiempo. El limpiafondos no fue diseñado para limpiar escalones automáticamente o para trabajar bajo una cubierta solar. El limpiador se puede quedar atascado en estos lugares y puede ocasionar daños al revestimiento de la piscina o al revestimiento de vinilo. Pentair Aquatic Systems no será responsable por reparaciones o reemplazo de cualquiera de estas estructuras o componentes de la piscina del cliente. Tampoco fue diseñado para hacer la limpieza inicial de una piscina nueva o la limpieza de la piscina que inicia la temporada.

Luego de instalar el limpiafondos, asegúrese de que esté funcionando correctamente:

El limpiafondos puede necesitar algunos ajustes mínimos para asegurar que su funcionamiento sea adecuado y así prevenir daños al limpiafondos, al revestimiento de la piscina o al revestimiento de vinilo. Algunos patrones de revestimiento vinílico son particularmente susceptibles al deterioro de la superficie, desgaste, frotado de la tinta, e importantes rasguños al patrón ocasionados por el contacto de objetos con la superficie de vinilo, incluidos los limpiadores automáticos. Pentair Aquatic Systems no es responsable por desgaste, cortes, abrasiones ni marcas en el revestimiento de vinilo. Inspeccione con regularidad los componentes del limpiafondos y el rendimiento de este para asegurarse de que esté funcionando como debe. Reemplazar o reparar los componentes desgastados o dañados. No seguir las instrucciones o instalar inadecuadamente el limpiafondos puede ocasionar daños en el limpiador, el revestimiento de la piscina o el revestimiento de vinilo.

Advertencias e instrucciones de seguridad para Pentair Aquatic Systems Bombas y otros productos relacionados están disponibles en: <http://www.pentairpool.com/support/product-warnings.html> o llame al (800) 831-7133 para obtener copias adicionales y gratuitas de las instrucciones.

En <http://www.pentairpool.com/support/product-warnings.html> encontrará advertencias e instrucciones relacionadas con este producto.

ADVERTENCIAS E INSTRUCCIONES DE SEGURIDAD IMPORTANTES

Denegación de responsabilidad Acercas de su piscina y el limpiafondos de presión lateral.

Existen múltiples factores que contribuyen a la longevidad de su piscina. El limpiafondos es un producto altamente pasivo que no tendrá impacto en la vida útil de su piscina.

Por favor, tenga en cuenta que con el paso del tiempo es posible que se produzca deterioro, decoloración o fragilidad de cualquier revestimiento de piscina, independientemente o en combinación con el tiempo de uso, un desequilibrio en la química del agua, una instalación inadecuada, y otros factores. Los limpiafondos de presión lateral no removerán ni desgastarán el yeso "bueno" para piscina. De hecho, es posible que ocurra lo contrario: con el tiempo el yeso de la piscina desgastará al limpiafondos.

La misma situación se da con piscinas de revestimiento vinílico que están enterradas, porque los revestimientos de vinilo también se ven afectados por el medioambiente y factores como la química del agua de la piscina, la luz solar y los alrededores de la piscina. Por lo tanto, con el paso del tiempo, el vinilo puede volverse frágil y débil. Además, las piscinas con revestimiento vinílico se ven afectadas por la hechura, composición e instalación del revestimiento y la hechura y la calidad de la construcción de las paredes de contención y la base de la piscina. Todos estos factores pueden contribuir al fracaso del revestimiento. La existencia de cualquiera de estos tipos de condiciones en su piscina no es causada por el uso o funcionamiento del limpiafondos. El fabricante no será responsable por reparaciones o reemplazo de cualquiera de estas estructuras o componentes de la piscina del cliente.

El propietario de la piscina debe asumir responsabilidad por las condiciones y el mantenimiento de la superficie de la piscina, el agua y la cubierta.

Antes de instalar el limpiafondos, por favor, tómese un momento para registrar el número de serie. El número está ubicado en la tarjeta de garantía y en la parte trasera del limpiador, cerca de los chorros traseros. Se le pedirá este número cuando se contacte con el Departamento de soporte técnico.

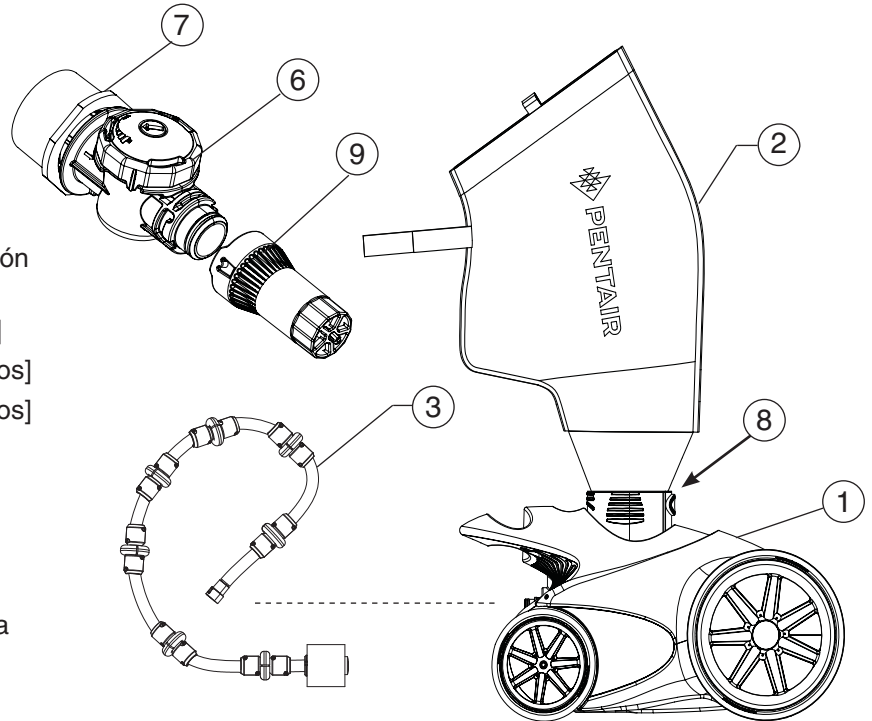
Nº DE SERIE _____

GUARDE ESTAS INSTRUCCIONES

INFORMACIÓN GENERAL

Componentes del limpiafondos

1. RACER LS cabezal de limpiafondos
2. Bolsa de desperdicios
3. Manguera de barrer
4. Conjunto de la manguera de alimentación (no se muestra)
 - 2 - Secciones de 10 pies [3 metros]
 - 1 - Secciones de 7.5 pies [2.3 metros]
 - 1 - Secciones de 2.5 pies [0.8 metros]
5. Válvula de respaldo (No se muestra)
6. Accesorio de pared
7. Adaptador de pared
8. Sello de residuos
- Nota:** El sistema de limpieza se entrega con el sello de residuos instalada en el interior del cabezal de limpieza.
9. Calibrador de caudal



Resumen

El limpiafondo de piscina de presión lateral RACER® LS se desplaza de forma irregular por toda la piscina para aspirar y barrer el fondo. La capacidad de ascenso de RACER LS depende de la forma de la piscina. Ascende mejor en las piscinas que no tienen ángulos agudos o curvas pronunciadas entre el piso y la pared de la piscina.

Aproximadamente cada 3 minutos y 1/2 el limpiafondo hace un respaldo. En ese momento, la válvula de respaldo retira el limpiafondo del último lugar y permite que este desvíe cualquier obstáculo y configure de manera aleatoria la cobertura de la piscina.

Antes de instalar y hacer funcionar el limpiafondos lea cuidadosamente esta guía:

1. Siempre desconecte el limpiafondos de la pared de la piscina si la va a limpiar o hacer lavado contracorriente del filtro de la piscina.
2. La suciedad en la tubería obstruirá el limpiafondo. Luego de limpiar o hacer lavado contracorriente del filtro, haga funcionar el sistema de filtrado durante por lo menos cinco minutos antes de volver a conectar el limpiafondos.
3. Las líneas hidráulicas nuevas deben purgarse antes de instalar el limpiafondos.
4. El limpiafondos no debe usarse para quitar restos de yeso en piscinas nuevas.
5. Siempre quite el limpiafondos antes de que entren personas en la piscina.
6. Siempre manipule el limpiafondos con cuidado.
7. Siempre tome el limpiafondos por la manija, en especial cuando saque la unidad del agua.
8. No manipule el limpiafondos cuando esté en funcionamiento.
9. Siempre saque el limpiafondos de la piscina antes de aplicar tratamientos con químicos (cloro). Como regla general, si el agua de la piscina es riesgosa para nadar, también es riesgosa para el limpiafondos.
10. Con cuidado, corte la manguera de alimentación siguiendo las instrucciones de la página 3.
11. Si sigue estas indicaciones simples, puede ayudar a evitar daños y extender la vida útil de su limpiafondos.
12. Vea "Advertencias e instrucciones de seguridad importantes" en las páginas ii-iii para información adicional acerca de instalación y seguridad.

INSTALACIÓN

Instalación de la bomba de refuerzo

Por favor, vea las instrucciones incluidas con su bomba de refuerzo para información acerca de la instalación.

Por favor siga detenidamente las instrucciones.

Instalación del accesorio de pared y el adaptador de pared

1. Quite o desconecte cualquier limpiador de piscina existente y/o accesorio de pared.
2. Encienda la bomba de filtrado y la bomba de refuerzo para purgar la línea hidráulica.
3. Apague la bomba del filtro y la bomba de refuerzo.
4. Si utiliza un adaptador de accesorios para pared de un fabricante que no sea Pentair, verifique que la placa reductora de caudal roja o azul esté retirada del adaptador de accesorios para pared antes de continuar con el paso siguiente.

La placa reductora se puede retirar fácilmente. Para ello debe presionarla con los pulgares (Ver **Figura 1**).

Nota: Si no retira la placa reductora de caudal de un adaptador de accesorios para pared que no es de Pentair, el limpiafondo no recibirá el caudal de agua suficiente. Esto hará que el limpiafondo tenga un funcionamiento lento y que los ciclos de limpieza lleven más tiempo.

5. Inserte el adaptador de accesorio de pared en el conducto de retorno enroscado 1-1/2" NPT. Apriete manualmente hasta que esté ajustado. Véase **figura 2**.
6. Alinee el accesorio de pared con la clavija de cierre rápido dentro del adaptador de pared. Empuje el accesorio de la pared en el adaptador hasta que toque el fondo de la pared. Gire $\frac{1}{4}$ en el sentido horario para bloquear el accesorio de pared. **Tire suavemente hacia afuera para un mejor ajuste y así engarzar las clavijas de cierre rápido.** Véase la **figura 2**.

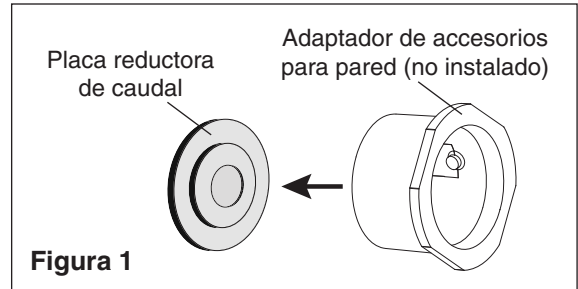


Figura 1

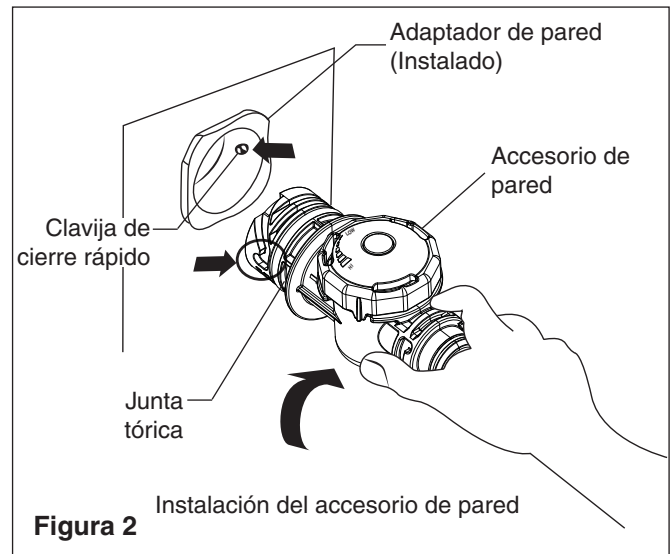


Figura 2

Cómo calcular la velocidad/RPM del limpiafondos

Para determinar si el limpiafondos está recibiendo la presión de agua adecuada:

1. Apague la bomba del agua y saque cuidadosamente el limpiafondos de la piscina.
2. Con un marcador de tinta, haga una línea negra, atravesando la rueda delantera
3. Pídale a alguien que vuelva a encender la bomba del agua y el compresor mientras pone el limpiafondos justo debajo de la superficie del agua de la piscina.

Nota: Asegúrese de sostener la manguera de barrer para evitar que se moje, ya que el flujo del agua regresará la manguera de barrer cuando se vuelva a encender la bomba.

4. Cuente el número de rotaciones completas que haga la marca de la rueda en más o menos un minuto. El número de rotaciones es la velocidad de operación (revoluciones por minuto – RPM) de los limpiafondos.

Nota: Antes de empezar, asegúrese de que la válvula de seguridad no esté funcionando.

5. Para un funcionamiento adecuado, el limpiafondo RACER LS funciona a 35 - 42 RPM.

Si las RPM son inferiores a 35, llame a un profesional local o comuníquese con el Departamento de Soporte Técnico de Pentair al teléfono 1-800-831-7133.

Si las RPM son superiores a 42, ajuste la válvula en el accesorio para pared, tal como se describe en "Ajuste del caudal de agua al limpiafondo" en la página 8, hasta que las RPM sean inferiores a 42.

Ajustar el conjunto de la manguera para fijar a la piscina

El ensamblaje de manguera consta de lo siguiente: Dos secciones de 10 pies (3 m), una sección de 7.5 pies (2.3 m), una sección de 2.5 pies (0.8 m) y una válvula de respaldo.

Importante para el rendimiento del limpiador:

Mida, corte y arme las secciones de las mangueras tal como se describe en el paso nº 1 y 2. Utilice una tijera fuerte o un cuchillo afilado para cortar las mangueras. Asegúrese de deslizar los flotadores para otro lado al cortar las mangueras. Corte las puntas de las mangueras lo más recto posible.

Paso nº 1: Dimensionado de la manguera sección primera

1. Mida la parte más profunda de la piscina. Véase **Figura 3**.
Nota: La rejilla o el desagüe abombado principal es por lo general la parte más profunda. Si la profundidad es de más de 10 pies [3 metros], no corte la manguera y vaya al paso nº 2.
2. Si la profundidad de la piscina es menor a 10 pies [3 metros], desconecte la manguera de plomo gris claro suave sección primera etiqueta válvula de respaldo con eslabón giratorio. Corte la manguera de conducción de manera tal que la longitud sea igual a la parte más profunda de la piscina. Véase **Figura 4**.

Ejemplo: Si la piscina tiene una profundidad de 8.5 pies [2.6 metros], corte 1.5 pies [.5 metros] de la manguera una sección denominada (ya que la manguera es de 10 pies [3 metros]).

3. Desechar los restos de manguera. Vuelva a conectar la manguera de conducción recién cortada al válvula de respaldo eslabón giratorio de la manguera de alimentación. Las tres secciones de la manguera deben estar conectadas.

Paso nº 2: Dimensionado de las mangueras dos and tres

4. Fije el conjunto de la manguera al accesorio de pared. Véase **Figura 5**. Luego fije el accesorio de pared (con la manguera) al adaptador de pared. Véase **Figura 5**. Tome el extremo opuesto del conjunto de la manguera y camine hasta el punto más lejano de la piscina desde el adaptador de pared. **Para evitar el exceso de estiramiento de la manguera, la manguera descansar en la parte superior del agua de la piscina.** Mida la longitud de la manguera que sobra (manguera que se extiende más allá del borde de la piscina). Esto determina cuánto habrá que cortar de secciones dos y tres.
5. Desconecte el conjunto de la manguera de alimentación del adaptador de pared. Desconecte secciones dos y tres del primer eslabón más cerca al accesorio de pared.
6. Cortar la mitad del exceso de longitud total de la manguera de cada manguera de dos secciones y tres etiquetados (armadas con cuatro flotadores) de igual manera. **Las dos secciones de la manguera de alimentación deben ser de la misma longitud después de haber cortado.**

Ejemplo: Si hay 6 pies [1.8 metros] de manguera restante. Corte 3 pies [.9 metros] de la segunda sección y desactivar la sección tres. (la mitad de 6 pies [1.8 metros] = 3 pies [.9 metros] cada una).

Si se corta más de 3 pies [.9 metros] de cada punta de la manguera, saque un (1) flotador de cada sección de manguera.

Nota: Para grandes piscinas que necesiten mangueras más largas, tendrá que comprar un (1) kit de manguera adicional P/N 360266 (10 pies [3 metros] de una única manguera). Fije la manguera sobrante al accesorio de pared utilizando el eslabón giratorio proporcionado y las tuercas de red.

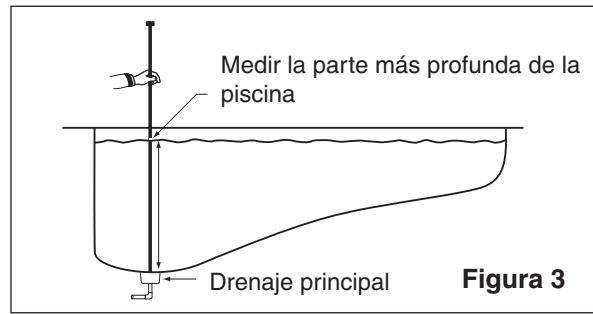


Figura 3

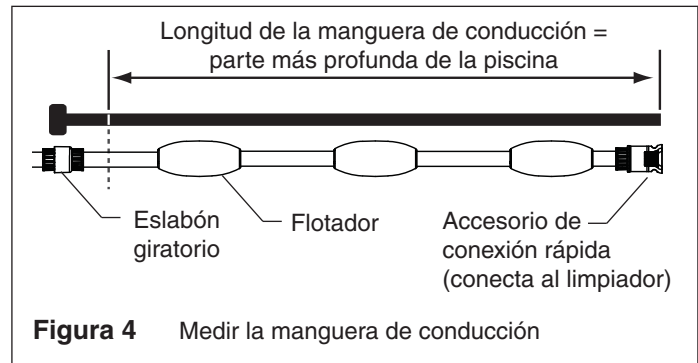


Figura 4 Medir la manguera de conducción

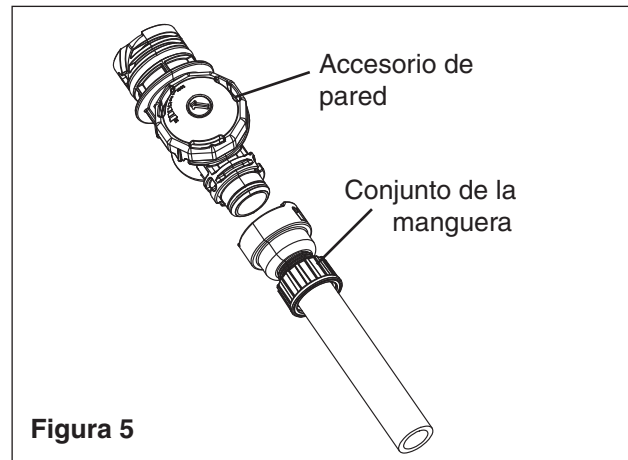


Figura 5

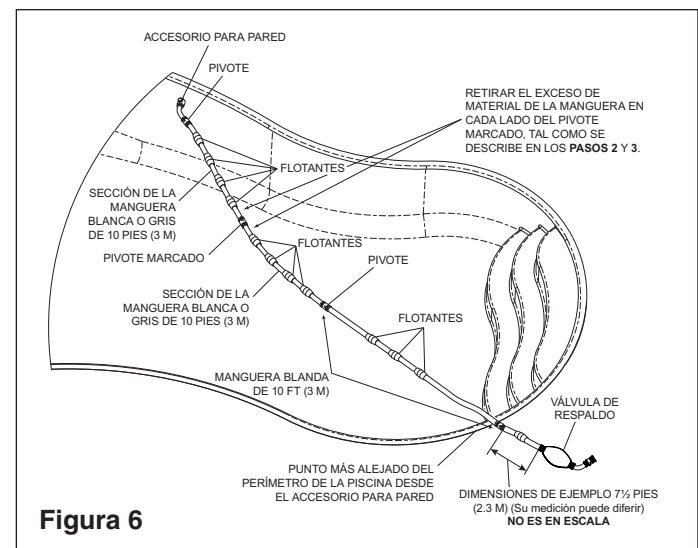


Figura 6

Paso nº 3: Conectar todas las secciones de manguera

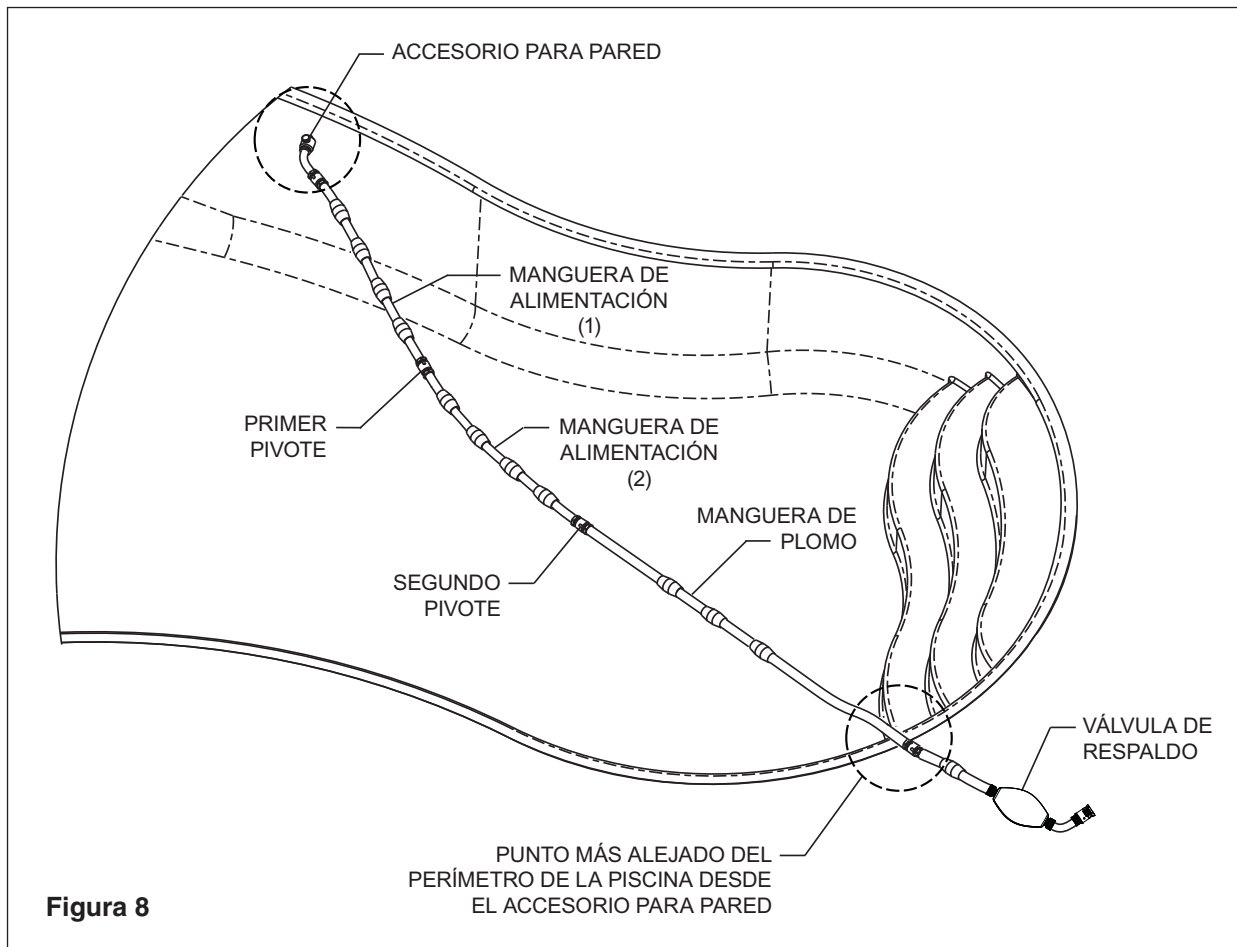
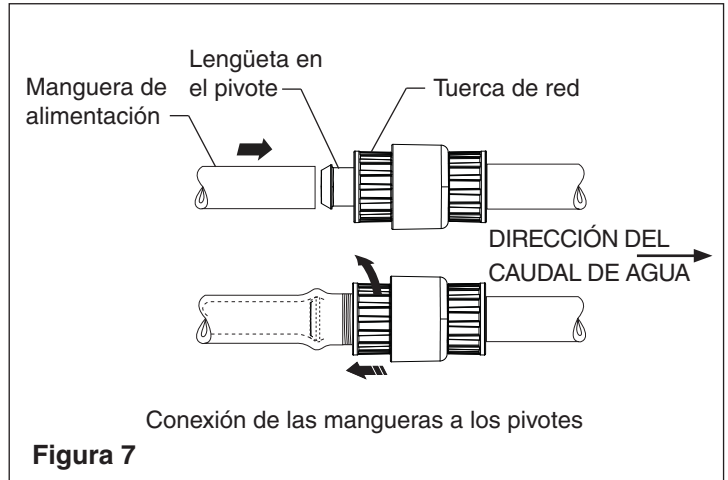
1. Luego de haber cortado las secciones de las mangueras a medida, vuelva a conectarlas al empujar el extremo de la manguera sobre las lengüetas del eslabón giratorio

Nota: Asegúrese de empujar las mangueras hasta el final de las lengüetas.

2. Mueva la tuerca de red hacia la manguera girando en sentido horario y rote hasta que quede ajustada a la manguera. Utilice pinzas si fuera necesario.

Nota: Asegúrese de que el número de carrozas permanecen en el tramo de manguera de dos y tres, como se describe en el paso 2 en la página 3.

3. Para verificar que la manguera está cortada a la medida correcta, vuelva a conectar la manguera y el accesorio de pared al adaptador de pared. Tome el opuesto extremo del conjunto de la manguera y camine hasta el punto más lejano desde el adaptador de pared. La manguera debe alcanzar el borde de la piscina pero no debe extenderse más de 6 pulgadas desde el borde.
4. Ahora puede conectar el limpiafondos a la manguera.

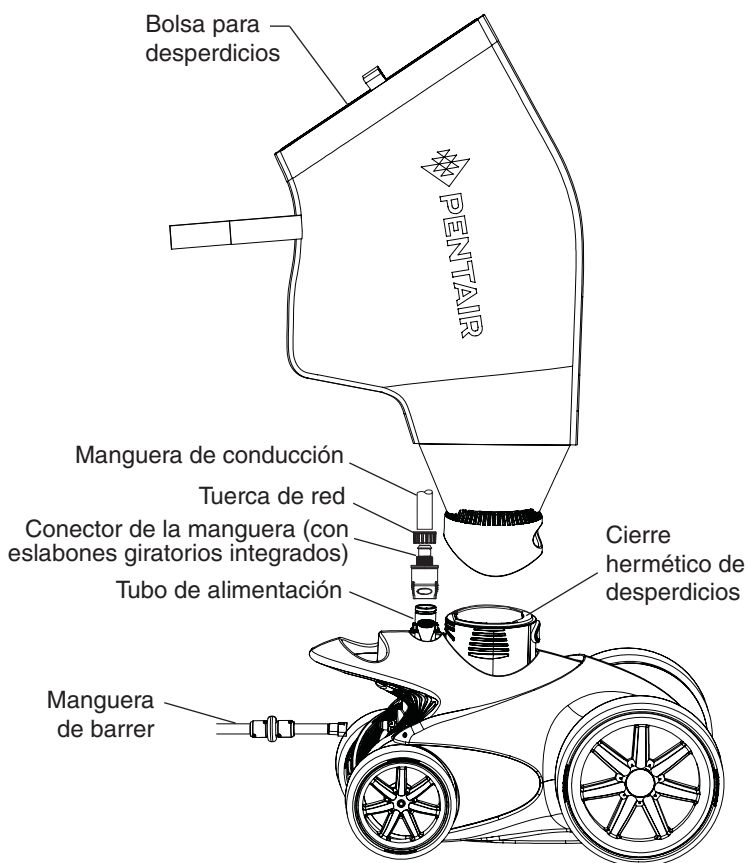


El montaje del limpiador

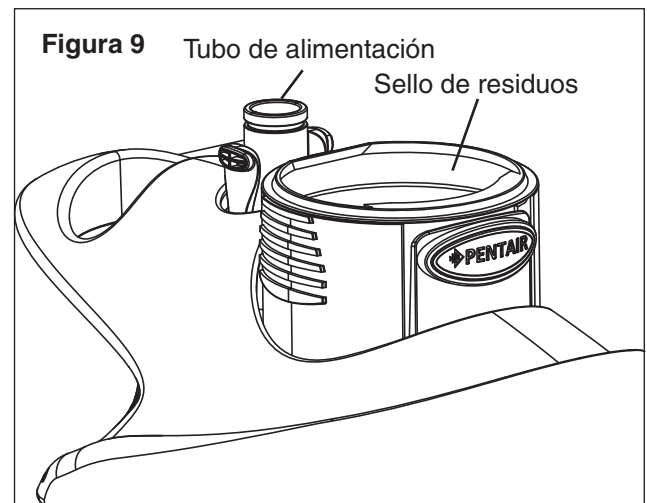
1. Fije Quick Connect conexión en el extremo de la manguera al tubo de alimentación en el limpiafondos. Asegúrese de que los broches estén agarrados.
2. Fije la bolsa de desperdicios al limpiafondos. Empuje la bolsa sobre el tubo al vacío para ponerlo en su lugar.
3. Revise la lista de verificación antes de usar:
 - Las mangueras están bien cortadas y espaciadas uniformemente.
 - Las tuercas de red están ajustadas a la manguera de alimentación.
 - El accesorio de pared está seguro y en su lugar.
 - La bolsa de desperdicios y el conjunto de la manguera fueron fijados.
 - Asegúrese de que los desechos sello se adjunta. Véase la figura 9.

Usando el limpiador

1. Baje el limpiafondos cuidadosamente a la piscina.
2. Encienda la bomba del filtro.
3. Espere por lo menos 60 segundos para quitar el aire de la manguera, luego encienda la bomba de refuerzo.
4. Encienda la bomba de refuerzo.



Armado del limpiafondos



AJUSTES DEL LIMPIAFONDOS Y FUNCIONAMIENTO

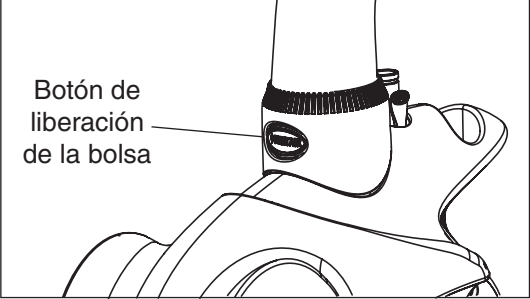
Funcionamiento del limpiafondos

Nota: El limpiafondos puede necesitar algunos ajustes mínimos para asegurar que su funcionamiento sea adecuado para obtener el mejor rendimiento posible.

Cuando funciona correctamente, el limpiafondos se desplaza en un patrón aleatorio por la piscina, aspirando y barrido la piscina.

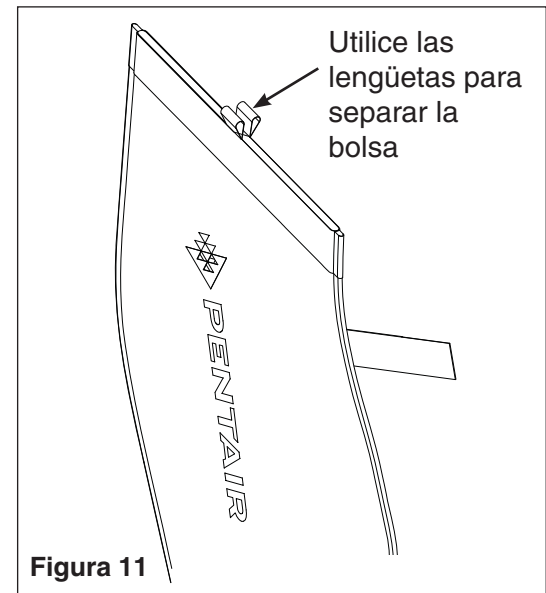
- La capacidad de ascender del limpiador depende de la estructura de la piscina y del caudal de agua.
- Un ciclo de limpieza de una hora es lo recomendable para el tamaño promedio de las piscinas residenciales (15' x 30' [4.6 m x 9.1 m]).
- Tendrá mejor rendimiento en piscinas que no tengan transiciones bruscas entre el fondo de la piscina y las paredes.
- El limpiador se pone en modalidad de reversa válvula de respaldo aproximadamente cada 3-1/2 minutos por durante aproximadamente 15 segundos.
- Si la piscina tiene muchos desperdicios, haga funcionar el limpiafondos en dos ciclos cortos. Vacíe la bolsa de desperdicios entre los ciclos.

Figura 10



Limpieza de la bolsa de desperdicios

1. Quite el broche de la bolsa de la manguera.
2. Presione la lengüeta del tubo al vacío del limpiador y con cuidado tire hacia arriba para quitar la bolsa del limpiador. Véase figura 10.
3. Abra el cierre de la bolsa al tirar las lengüetas de la tela en la parte de arriba (Véase figura 11). Sosteniendo el fondo de la bolsa, dé vuelta para vaciar los desperdicios por la parte de arriba. Si fuera necesario, enjuague la bolsa con la manguera.
4. Para cerrar, presione el velcro en la parte superior de la bolsa y recorra con el dedo el largo de la bolsa para que quede cerrada completamente.
5. Asegúrese de que el sello de desperdicios está en el tubo al vacío. Véase figura 9 en página 5.
6. Deslice la boca de la bolsa de desperdicios sobre el tubo al vacío hasta que quede en su lugar.
7. Vuelva a fijar el broche en la manguera de alimentación.
8. Para evitar que la bolsa se doble durante la operación, fije el broche sobre el flotador de la primera línea de alimentación. Deslice el flotador si es necesario.



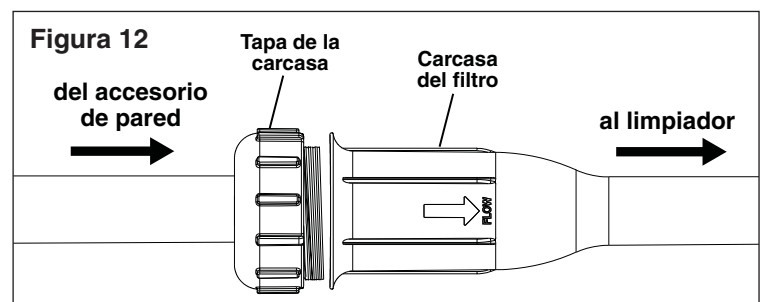
Nota: Es más fácil vaciar la bolsa de desperdicios cuando está seca. Se puede utilizar una segunda bolsa (comprada por separado) mientras la bolsa de desperdicios se seca.

Cómo limpiar el filtro en línea

Al limpiar la bolsa de residuos del limpiafondo, también debería revisar la malla para residuos del filtro en línea. Puede encontrar la malla para residuos a unas 18 pulgadas (45.7 mm) de la conexión de pared.

Para limpiar la malla para residuos del filtro en línea:

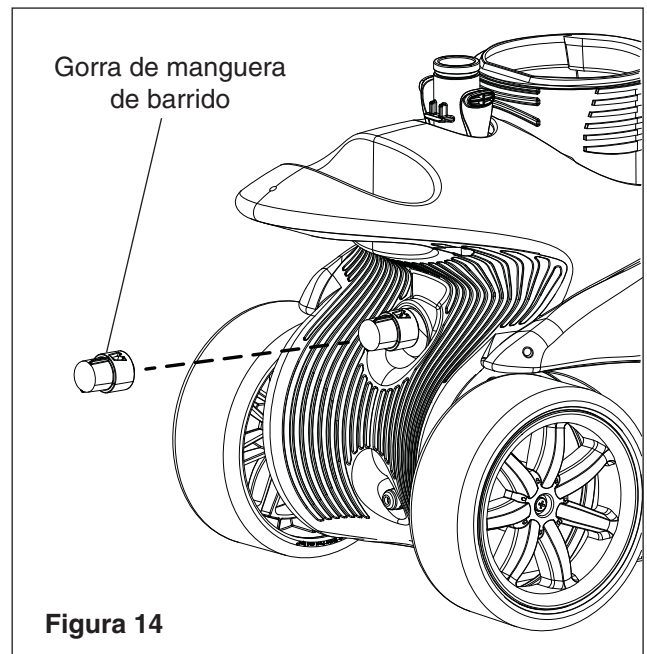
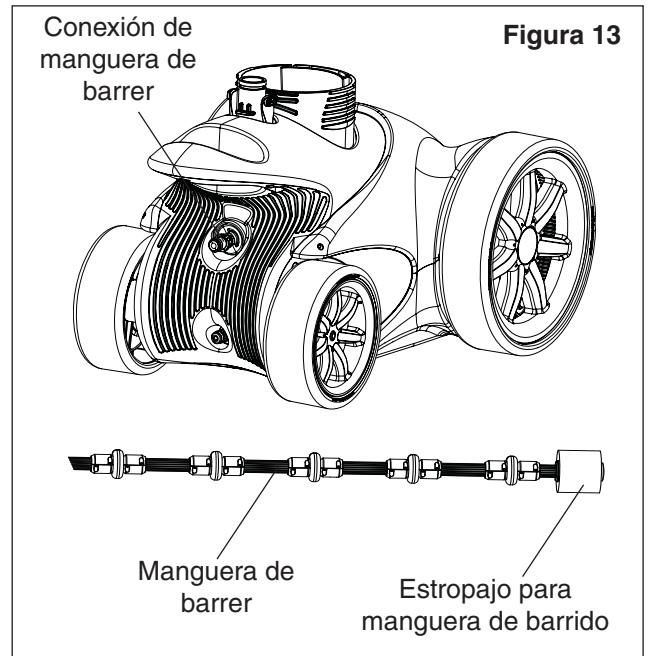
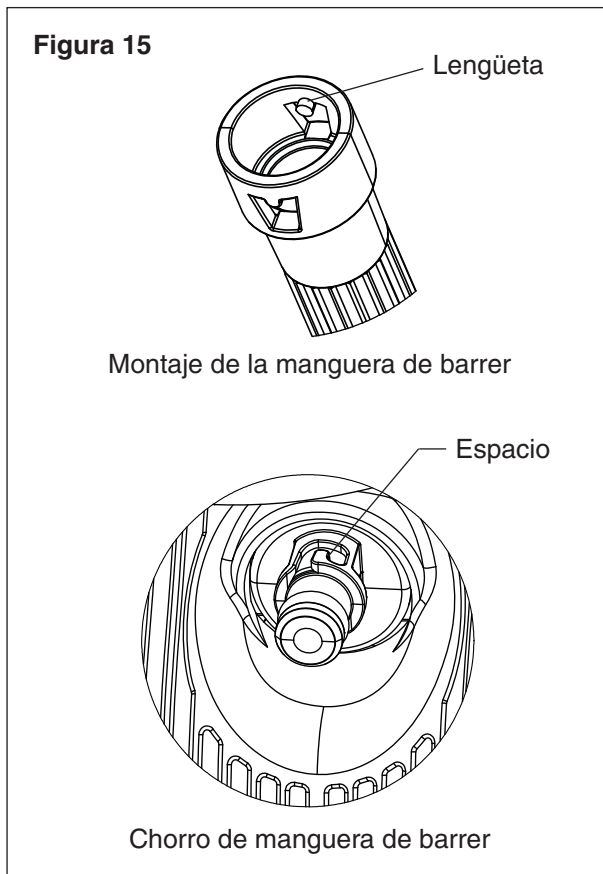
1. Retire el limpiafondo del agua y extiéndalo sobre la plataforma de la piscina.
2. Quite la tapa de la carcasa del filtro desenroscándola.
3. Retire la pantalla para residuos de la carcasa del filtro y quite todos los residuos. Limpie cualquier suciedad que pueda quedar con una manguera.
4. Vuelva a colocar la pantalla para residuos en la carcasa del filtro y enrosque nuevamente la tapa de la carcasa a la carcasa. Solo ajuste manualmente.



Instalar y desinstalar la manguera de barrido

El limpiafondo de presión lateral Racer® LS viene equipado con una tapa para la manguera de barrido sobre la conexión de la manguera (ver **Figura 14**). Esta tapa bloquea el flujo en la conexión de la manguera de barrido cuando esta no está en uso.

1. Para retirar la tapa de la manguera de barrido debe empujar la tapa de la manguera hacia dentro, en la dirección del limpiafondo y a la vez hacer un 1/4 de giro en sentido antihorario para desbloquear. Retire la tapa de la conexión de la manguera de barrido halándola verticalmente de la conexión.
2. Alinee las pestañas de cierre que en el interior de la conexión de la manguera de barrido (un pequeño accesorio redondo que está en el extremo de la manguera) con las ranuras de cierre de la conexión de la manguera de barrido del limpiafondo. Ver **Figura 15**.
3. Empuje el accesorio de la manguera de barrido dentro de la conexión de la manguera y gírelo en sentido horario hasta que se detenga (1/4 de giro aproximadamente). Separe el accesorio de la manguera de barrido del limpiafondo para que quede en su sitio.
4. Para retirar la manguera de barrido debe empujar el accesorio de la manguera hacia el limpiafondo y a la vez girar en sentido antihorario hasta que se detenga (1/4 de giro aproximadamente). Hale la manguera de barrido para separarla de la conexión de la manguera y guárdela en un lugar seguro.



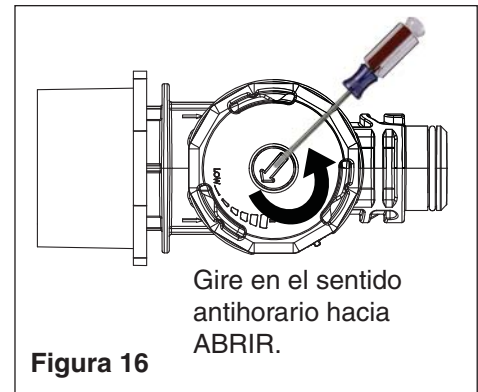
Ajuste del caudal de agua al limpiafondo

Un caudal de agua incorrecto en el limpiafondo de piscina de presión lateral RACER® LS puede ocasionar varios problemas de funcionamiento. **Para lograr un funcionamiento adecuado, el limpiafondo RACER LS debe funcionar a 35 - 42 RPM.** Vea la página 2, “Cálculo de la velocidad del limpiafondo/RPM” para ver las instrucciones para determinar las RPM de su limpiafondo.

El caudal se puede ajustar en el accesorio para pared con la válvula de accesorio para pared.

Para ajustar el caudal al limpiafondo:

1. Con un destornillador de cabeza plana, gire la válvula en sentido horario (para reducir el caudal) o en sentido contrario a las agujas del reloj (para aumentar el caudal). Ver **Figura 16**.



Mantenimiento periódico

Inspeccione con regularidad los componentes del limpiafondos. Reemplazar y/o reparar los componentes desgastados o dañados. No seguir las instrucciones o instalar inadecuadamente el limpiafondos puede ocasionar daños en el limpiador, el revestimiento de la piscina o el revestimiento de vinilo.

Las siguientes piezas son partes desgastadas que deben ser inspeccionadas periódicamente y reemplazadas cuando se necesite:

Llantas

Las llantas están diseñadas para proteger el fondo de la piscina y proporcionar tracción. Las llantas se desgastan y deberán ser reemplazadas ocasionalmente.

Bolsas de desperdicios

El limpiador viene con una bolsa de propósito general y se utiliza para todos los tipos de desperdicios. Reemplace la bolsa cuando la tela se rompa o se agujeree.

Nota: Para extender la vida útil del limpiafondos, sacarlo de la piscina antes de verter químicos.

Manguera de barrer

La manguera de barrido se suministra para facilitar la limpieza en rincones de difícil acceso. Reemplace el estropajo para manguera de barrido cuando sea necesario.

Juntas rotativas de la manguera de barrer

Su manguera de barrer tiene una serie de juntas rotativas para protegerla. Reemplace las juntas si fuera necesario. Asegúrese de que las juntas rotativas puedan rotar libremente.

Lavado contracorriente del filtro de la piscina

Siempre desconecte el limpiafondos de la pared de la piscina antes de limpiar o hacer lavado contracorriente del filtro de la piscina. Luego de limpiar o hacer lavado contracorriente, deje que el sistema de filtrado de la piscina y la bomba de refuerzo funcionen por al menos cinco minutos para purgar el conducto de retorno antes de volver a conectar el limpiador.

Guardado y preparación para el invierno

Puede dejar el adaptador de pared en la pared y guardar las mangueras rectos, sin áreas pellizcadas. Si usted enrolla la manguera, asegúrese de dejar la manguera estirada al sol de 12 a 24 horas antes de volver a usarla. Utilice el calibrador de caudal para asegurarse de que el caudal sea suficiente para hacer funcionar el limpiador.

Limpieza de la malla de residuos de accesorios para pared

Dentro del accesorio para pared hay una malla de acero inoxidable que actúa como un filtro secundario. Esta malla retiene los desechos que pueden haber pasado a través del filtro de la piscina.



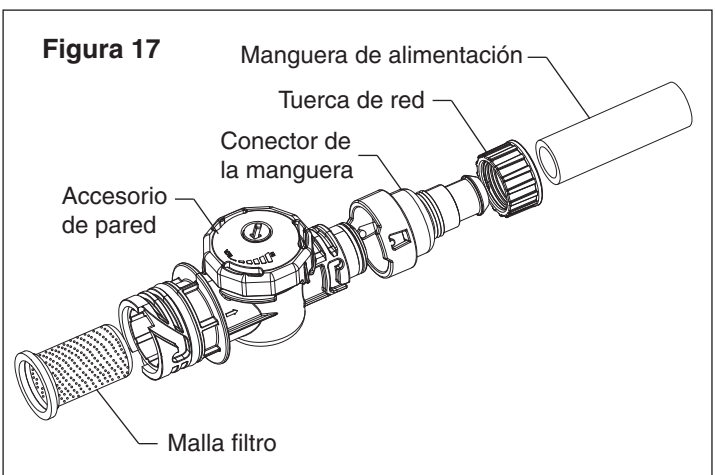
La malla para residuos del accesorio para pared se debe limpiar una vez por semana. Si no la limpia habitualmente, el limpiafondo se puede dañar.

¡IMPORTANTE! Una malla sucia puede indicar posibles problemas en el sistema de filtros de su piscina y es posible que deba comunicarse con un profesional de piscinas local.

Nota: Usar el limpiafondo sin la malla para residuos puede dañar el limpiafondo y su garantía puede quedar anulada.

Para limpiar la malla para residuos:

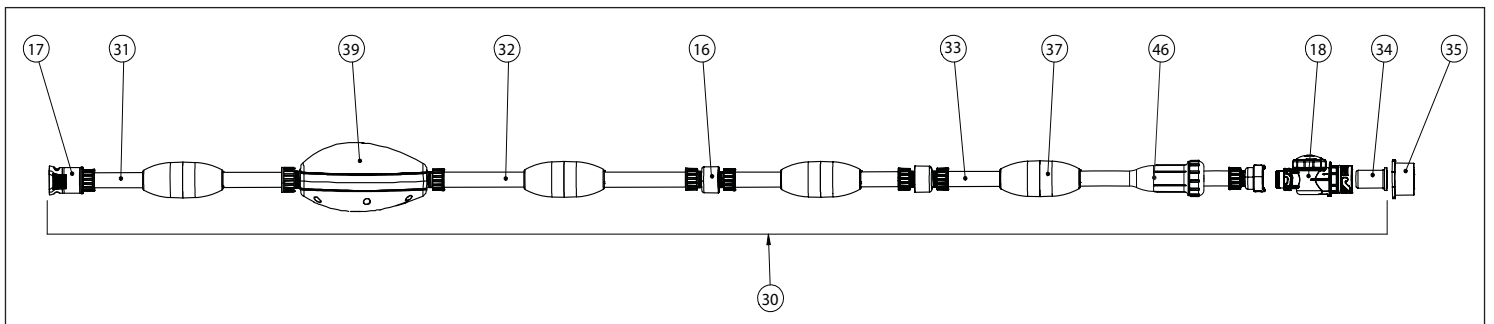
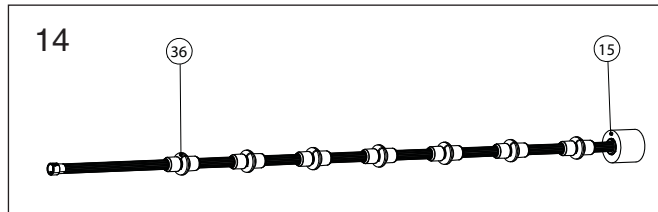
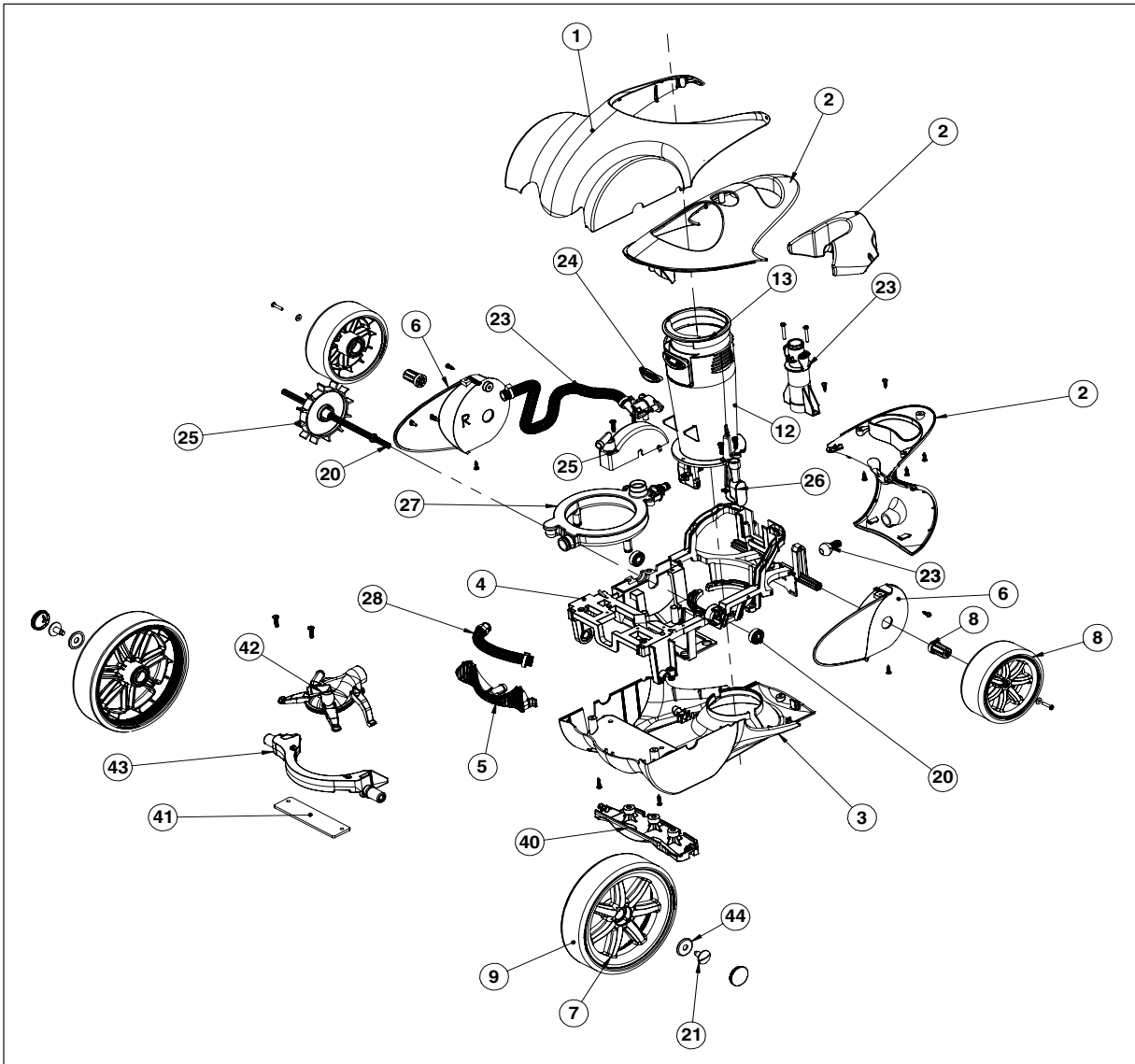
1. Desactive la bomba auxiliar y la bomba de filtración.
2. Retire el accesorio para pared del adaptador para pared.
3. Quite la malla desde el interior del accesorio para pared.
4. Enjuague bien hasta que esté limpia y vuelva a colocarla en el accesorio para pared.
5. Cuando limpie, retrolave o repare el filtro de la piscina, limpie también la malla del accesorio para pared después del primer ciclo del limpiafondo.



Limpieza de la malla filtro

PIEZAS DE REPUESTO

Lista ilustrada de partes



Lista de partes

ÍTEM No.	NÚMERO DE PARTE	DESCRIPCIÓN
1	360422	Kit de tapa frontal superior
2	360425	Kit de tapa trasera
3	360424	Kit de tapa inferior
4	360427	Kit de chasis
5	360426	Kit de parrilla
6	360423	Kit de tapas laterales
7	360235	Kit de rueda grande
8	360236	Kit de rueda pequeña
9	360237	Kit de neumáticos grandes
10*	360240	Kit de bolsas para residuos (sin collarín), gancho y sujetador de lazo
11*	360241	Kit de collarín para bolsa de residuos
12	360242	Kit de tubos de aspiradora
13	360243	Kit de válvula de residuos
14	360244	Kit de manguera de barrido
15	360245	Kit de estropajo para manguera de barrido
16	360249	Kit giratorio de línea de alimentación
17	360250	Kit de conexión rápida para línea de alimentación
18	360251	Kit de conexión de pared para línea de alimentación
19	360252	Kit de conexión para línea de alimentación
20	360253	Kit de eje de mando
21	LLC55PMB	Kit de tornillos para rueda
22*	360255	Kit de tornillos
23	360419	Kit de manguera con chorro de impulso

ÍTEM No.	NÚMERO DE PARTE	DESCRIPCIÓN
24	360258	Kit de botones de caucho
25	360414	Kit de carcasa de turbinas
26	360260	Kit de tubo colector Venturi
27	360416	Kit de administración de agua
28	360420	Kit de manguera de turbinas
29	360417	Kit de puesta a punto
30	360431	Ensamblaje de manguera, completa
31	360429	Kit de manguera con bajante, 2.5'
32	360430	Kit de manguera con bajante, 7.5'
33	360266	Kit de manguera para línea de alimentación, 10'
34	E24	Malla para residuos
35	LL23PM	Adaptador para pared roscado
36	EB10G	Aro de desgaste para manguera de barrido
37	360270	Flotante para línea de alimentación
38*	360268	Kit de junta tórica para alimentación
39	360428	Kit de válvula de respaldo
40	360421	Kit de cubierta de estropajo
41	360418	Kit de peso de acero inoxidable (SS)
42	360415	Kit de tubo colector
43	360434	Kit de reemplazo de eje
44	EC64	Kit de arandelas para rueda
45*	360436	Gorra de manguera de barrido
46	360392	Ensamblaje del filtro en línea
47*	360437	Kit de reemp lazo para pantalla del filtro en línea

Nota: (*) No se muestra

RESOLUCIÓN DE PROBLEMAS

Utilice la siguiente información de solución de problemas para resolver potenciales problemas con el limpiafondos.

Problema	Acción correctiva
El limpiafondo no se mueve o lo hace lentamente.	<p>Verifique que la bomba del filtro y la bomba auxiliar estén activadas y muevan el agua. (Es posible que tenga que limpiar el sistema de filtros de su piscina).</p> <p>Verifique que la malla para residuos del accesorio para pared no tenga residuos. Es posible que tenga que quitarla y lavarla. Ver página 9.</p> <p>Verifique que la malla para residuos del filtro en línea no tenga residuos; para esto, probablemente deba retirarla y enjuagarla. Ver página 6.</p> <p>Compruebe que el caudal sea correcto. Para ello, calcule la velocidad/las RPM del limpiafondo (ver página 2). Ajuste el caudal al accesorios para pared si es necesario (ver página 8).</p> <p>Revise todas las conexiones de la manguera de alimentación y los pivotes para verificar que no haya pérdidas.</p> <p>Verifique que no haya una placa reductora de caudal instalada en el adaptador del accesorio para pared. Si hay una placa reductora instalada, retírela. Ver página 2.</p> <p>Verifique que no haya residuos atascados en los dientes del engranaje en una de las ruedas delanteras. Gire suavemente las ruedas delanteras hacia atrás para expulsar los residuos.</p> <p>Verifique si las ruedas traseras giran bien. Reemplace las ruedas si es necesario.</p> <p>Verifique que la válvula de respaldo complete el ciclo en aproximadamente 3-1/2 minutos e invierta el limpiafondo.</p>
El limpiafondo queda colgado en los escalones.	<p>Verifique que la válvula de respaldo complete el ciclo en aproximadamente 3-1/2 minutos e invierta el limpiafondo.</p> <p>Compruebe que el caudal sea correcto. Para ello, calcule la velocidad/las RPM del limpiafondo (ver página 2). Ajuste el caudal al accesorios para pared si es necesario (ver página 8).</p>
El limpiafondo se inclina hacia un lado.	<p>Por lo general esto indica que la bolsa de residuos está llena. Vacíe la bolsa de residuos (ver página 6).</p> <p>Nota: El limpiafondo a veces se inclina hacia un costado (en dos ruedas) durante un ciclo de giro. Observe el limpiafondo durante unos minutos para ver si vuelve a adoptar una posición derecha.</p>
El limpiafondo no funciona hacia atrás.	<p>Verifique que la válvula de respaldo complete el ciclo en aproximadamente 3-1/2 minutos e invierta el limpiafondo.</p> <p>Compruebe que el caudal sea correcto. Para ello, calcule la velocidad/las RPM del limpiafondo (ver página 2). Ajuste el caudal al accesorios para pared si es necesario (ver página 8).</p> <p>Verifique que la malla para residuos del accesorio para pared no tenga residuos. Es posible que tenga que quitarla y lavarla. Ver página 9.</p> <p>Asegúrese de que la malla para residuos del filtro en línea no tenga residuos; para esto, probablemente deba retirarla y enjuagarla. Ver página 6.</p>
El limpiafondo no asciende.	<p>Revise la bolsa de residuos. Vacíe la bolsa si está llena.</p> <p>Compruebe que el caudal sea correcto. Para ello, calcule la velocidad/las RPM del limpiafondo (ver página 2). Ajuste el caudal al accesorios para pared si es necesario (ver página 8).</p> <p>Nota: La capacidad de ascenso del limpiafondo depende de la forma de la piscina y del caudal de agua disponible. Ascende mejor en las piscinas que no tienen ángulos agudos entre el piso y la pared de la piscina.</p>
Mangueras que se enredan en lazos.	<p>Verifique la longitud de la manguera de alimentación. Si es demasiado larga, es posible que la manguera se enrede o se formen lazos. Vea la página 3 para obtener información sobre el tamaño de la manguera de alimentación.</p> <p>Verifique que la manguera de alimentación esté flotando en la superficie de la piscina. Los flotantes de la manguera deben estar a una distancia aproximada de dos pies. Vea la página 3 para obtener información sobre el posicionamiento de la manguera.</p> <p>Verifique que los pivotes de la manguera giren bien. Reemplace los pivotes si están ajustados y no giran bien.</p> <p>Verifique que la manguera de alimentación no esté enroscada ni tenga curvas.</p>
La bomba auxiliar hace mucho ruido.	<p>Verifique que la bomba del filtro y la bomba auxiliar estén activadas y muevan el agua. (Es posible que tenga que limpiar el sistema de filtros de su piscina).</p> <p>Verifique que el accesorio para pared esté instalado correctamente. Si hay una pérdida, es posible que deba reemplazar la junta tórica.</p> <p>Comuníquese con su profesional de piscinas local. Posiblemente se deba a un problema de la bomba auxiliar.</p>
Las ruedas traseras se arrastran/no giran.	<p>Verifique que la rueda no tenga residuos enredados.</p>



1620 HAWKINS AVE., SANFORD, NC 27330 • (919) 566-8000
10951 WEST LOS ANGELES AVE., MOORPARK, CA 93021 • (805) 553-5000

WWW.PENTAIRPOOL.COM

Todas las marcas comerciales y los logotipos de Pentair son propiedad de Pentair o de una de sus empresas globales asociadas. Pentair Aquatic Systems® y RACER® son marcas registradas de Pentair Water Pool and Spa, Inc. y/o sus empresas asociadas en los Estados Unidos y/u otros países. A menos que se indique expresamente, los nombres comerciales y marcas de terceros que puedan haber sido utilizados en este documento no indican una asociación o respaldo entre los propietarios de estos nombres comerciales y marcas y Pentair Water Pool and Spa, Inc. Esos nombres comerciales o marcas pueden ser marcas comerciales o marcas registradas de estos terceros. Debido a que estamos constantemente mejorando nuestros productos y servicios, Pentair se reserva el derecho de modificar las especificaciones sin previo aviso. Pentair es un empleador que ofrece igualdad de oportunidades.

© 2016 Pentair Water Pool and Spa, Inc. Todos los derechos reservados. Este documento está sujeto a cambios sin previo aviso.

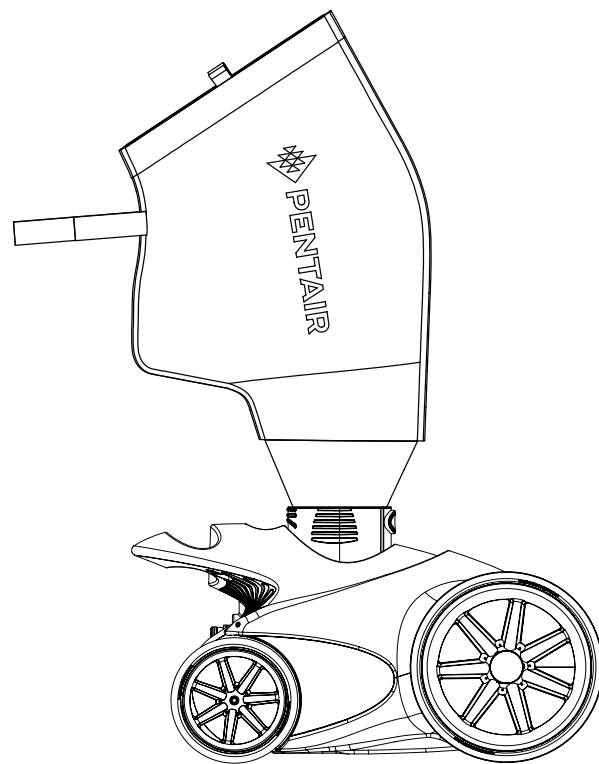


P/N 371824 REV. A 10/25/16



RACER[®] LS

NETTOYEUR DE PAROIS DE PISCINE À PRESSION



GUIDE D'INSTALLATION D'UTILISATION

CONSIGNES IMPORTANTES DE SÉCURITÉ
LIRE ET SUIVRE TOUTES LES DIRECTIVES
CONSERVER CES DIRECTIVES

SERVICE À LA CLIENTÈLE/SOUTIEN TECHNIQUE

Si vous avez des questions sur la commande de pièces de rechange et produits pour piscines Pentair Aquatic Systems, veuillez contacter :

Service à la clientèle et soutien technique, É.-U.
(8 h à 19 h – heures Est/Pacifique)

Tél. : (800) 831-7133
Télé. : (800) 284-4151

Site Web

Visitez www.pentairpool.com ou www.staritepool.com pour obtenir de plus amples renseignements sur les produits Pentair.

Sanford, Caroline du Nord (8 A.M. to 5 P.M. ET)

Tél. : (919) 566-8000
Télé. : (919) 566-8920

Moorpark, Californie (8 A.M. to 5 P.M. PT)

Tél. : (805) 553-5000 (poste 5591)
Télé. : (805) 553-5515

TABLE DES MATIÈRES

Avertissements et consignes de sécurité importants	ii	Entretien	9
Aperçu	1	Entretien périodique	9
Composants du nettoyeur	1	Pneus	9
Aperçu	1	Sacs à débris	9
Installation	2	Tuyau de balayage	9
Installation de la pompe d'appoint	2	Bagues de roulement du tuyau balai	9
Installation du raccord mural et de l'adaptateur mural	2	Lavage à contre-courant du filtre de la piscine	9
Calcul de la vitesse et des tr/min du nettoyeur	2	Rangement et hivernage	9
Adaptation de l'assemblage du tuyau à la piscine	3	Nettoyage du filtres à particules du raccord mural	9
Utilisation du nettoyeur	5	Pièces de rechange	10
Utiliser du nettoyant	5	Liste des pièces illustrée	10
Réglages et fonctionnement du nettoyeur	6	Liste des pièces	11
Fonctionnement du nettoyeur	6	Dépannage	12
Nettoyage du sac à débris	6		
Nettoyage du filtre en ligne	6		
Installer et enlever le tuyau de balayage	7		
Réglage du débit d'eau pour le nettoyeur	8		

AVERTISSEMENT ET CONSIGNES DE SÉCURITÉ IMPORTANTS



Avis important :

À l'attention de l'installateur : ce guide contient des informations importantes concernant l'installation, le fonctionnement et l'utilisation sécurisée de ce produit. Cette information doit être remise au propriétaire ou à l'utilisateur de cet équipement après l'installation du nettoyeur de piscine.

À l'attention de l'utilisateur : ce manuel contient des informations importantes qui vous aideront à utiliser et à assurer l'entretien de ce nettoyeur de piscine. Veuillez le conserver pour référence future. Consultez Pentair si vous avez des questions concernant cet équipement.



AVERTISSEMENT Avant d'installer ce produit, lisez et respectez toutes les consignes d'avertissement et les instructions comprises.

Toute effraction à ces consignes de sécurité et instructions peut causer des blessures graves ou mortelles, ou des dommages matériels. Composez le 1 800 831-7133 pour recevoir gratuitement des manuels de consignes de sécurité supplémentaires.

Information pour le client et la sécurité

Ce nettoyeur de piscine est conçu et fabriqué pour servir pendant de nombreuses années de façon sûre et fiable si son installation, son fonctionnement et son entretien respectent les informations contenues dans ce manuel. Dans tout ce manuel, des avertissements de sécurité et des avis de précaution sont identifiés par le symbole « ⚠ ». Assurez-vous de lire et de vous conformer à tous les avertissements et avis de précaution.



ASPIRATION DANGEREUSE

Ne jouez pas avec le nettoyeur ou le tuyau et ne les appliquez pas sur le corps. Il peut piéger ou arracher les cheveux ou des parties du corps. Le tuyau peut faire trébucher ou s'emmêler avec les nageurs, ce qui peut causer une noyade.



DANGER DE PIÉGEAGE, DE BLESSURE ET DE NOYADE PAR ASPIRATION Si votre piscine est munie d'un port d'aspiration spécialisé (« vac port ») pour le nettoyage par aspiration ou pour un aspirateur de piscine automatique, il doit être couvert lorsqu'il n'est pas utilisé. Un couvercle de sécurité à ressort (« vac port fitting ») est inclus avec votre nettoyeur. Installez-le sur votre port d'aspiration pour empêcher le piégeage et les blessures. Si le couvercle fourni ne convient pas, achetez le modèle qui convient chez votre fournisseur de piscine local et installez-le à sa place. Le couvercle doit être conforme à la norme IAPMO SPS4-99A.



Arrêtez la pompe avant de nettoyer l'appareil. Ne permettez pas l'utilisation de la piscine lors du fonctionnement du nettoyeur.



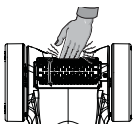
Pour réduire le risque de blessure, ne laissez pas les enfants utiliser ou jouer avec le nettoyeur de piscine.



Ne permettez pas l'utilisation de la piscine lors du fonctionnement du nettoyeur. Le tuyau peut faire trébucher et s'emmêler avec les baigneurs, ce qui peut causer une noyade.



Les pièces en mouvement peuvent blesser les mains ou les doigts. Arrêtez la pompe avant de nettoyer la tête du nettoyeur de piscine.



Informations générales d'installation

Liste de vérification avant l'installation

Avant d'installer votre nettoyeur, réviser et comprendre tous les avertissements et l'information de sécurité contenus dans ce guide. Le fait de ne pas suivre ces instructions ou une installation incorrecte du nettoyeur peuvent causer des dommages au revêtement de la piscine ou à la membrane de vinyle. La plupart des nettoyeurs ne sont pas conçus pour traverser du fond aux parois lorsque la gorge de piscine est de 90 %. Il peut y avoir d'autres structures installées dans la piscine autour desquelles le nettoyeur ne peut pas naviguer, SOYEZ-EN CONSCIENT et surveillez le nettoyeur lorsque des conditions uniques sont présentes. Pentair Aquatic Systems décline toute responsabilité pour les réparations ou le remplacement d'une quelconque de ces structures ou composants de la piscine du client.

Avant d'installer le nettoyeur dans une piscine munie d'une membrane de vinyle :

vérifiez soigneusement la membrane pour tout signe de détérioration ou de dommages attribuables à l'âge, aux produits chimiques, à des dommages de la paroi, etc. Si vous constatez des dommages, demandez à un professionnel de piscines qualifié d'effectuer toutes les réparations nécessaires. Aussi, s'il y a des cailloux, des racines, etc. sous la membrane, retirez-les avant d'installer le nettoyeur.

Avant d'installer le nettoyeur dans une piscine de gunite ou une piscine carrelée en partie ou en totalité :

Assurez-vous que le revêtement de la piscine est en bon état, car les taches, l'attaque d'un produit chimique, les fissures ou le décollage peuvent empirer. Réparez les carreaux qui se détachent et revissez les anneaux des lumières.

Avant d'installer le nettoyeur, nettoyez votre système de filtration :

Assurez-vous que vous avez nettoyé le filtre, y compris le lavage à contre-courant, le rinçage et videz tous les paniers. Un système propre est nécessaire pour le fonctionnement correct du nettoyeur et sa portée.

Avant d'installer le nettoyeur, comprenez la portée du nettoyeur :

Le nettoyeur est conçu pour débarrasser votre piscine de débris dans une période de 4 à 6 heures environ. Cela peut prendre moins de temps, selon la dimension de la piscine. Le nettoyeur n'est pas conçu pour nettoyer automatiquement des marches ou des sorties de piscine ou pour fonctionner sous une toile solaire. Le nettoyeur peut se coincer dans ces zones, ce qui peut endommager le revêtement de la piscine ou la membrane de vinyle. Pentair Aquatic Systems décline toute responsabilité pour les réparations ou le remplacement d'une quelconque de ces structures ou composants de la piscine du client. Il n'est pas conçu non plus pour le nettoyage initial d'une piscine neuve ou pour l'ouverture de votre piscine pour la saison.

APRÈS l'installation du nettoyeur, assurez-vous qu'il fonctionne correctement :

Le nettoyeur peut avoir besoin de quelques réglages mineurs pour s'assurer qu'il fonctionne correctement afin qu'il n'y ait pas de dommages au revêtement de la piscine. Certains motifs de membrane de vinyle sont particulièrement susceptibles à l'usure de surface, l'élimination du motif ou de l'encre par friction, ou à de sérieuses éraflures du motif causées par des objets entrant en contact avec la surface du vinyle, y compris les nettoyeurs automatiques de piscines. Pentair Aquatic Systems n'est pas responsable de toute élimination du motif, abrasions ou marques sur les membranes de vinyle. Inspectez régulièrement les composants du nettoyeur et la performance du nettoyeur pour vous assurer qu'il fonctionne comme prévu. Remplacez et/ou réparez tous les composants usés ou endommagés. Le fait de ne pas suivre les instructions ou une installation incorrecte du nettoyeur peuvent causer des dommages au nettoyeur, au revêtement de la piscine ou à la membrane de vinyle.

Les avertissements et consignes de sécurité pour les pompes et autres produits connexes de Pentair Aquatic Systems sont disponibles sur : <http://www.pentairpool.com/support/product-warnings.html> Composez le 1-800 831-7133 pour des exemplaires supplémentaires gratuits de ces instructions. Veuillez vous référer à <http://www.pentairpool.com/support/product-warnings.html> pour les avertissements et consignes de sécurité relatives à ce produit.

AVERTISSEMENT ET CONSIGNES DE SÉCURITÉ IMPORTANTS

Déni de responsabilité

À propos de votre nettoyeur de parois de piscine à pression

Il y a une multitude de facteurs qui contribuent à la durée de vie de votre piscine. Le nettoyeur de piscine est un produit très passif qui n'a aucun impact sur la durée de vie de la piscine.

Veillez noter qu'au fil du temps, la détérioration, la décoloration ou l'effritement de tout revêtement de piscine peuvent être causés séparément par l'âge, un déséquilibre chimique de l'eau de la piscine, une installation incorrecte ou une combinaison de ces facteurs ainsi que d'autres facteurs. Les nettoyeurs de parois de piscine à pression n'arracheront ni ne causeront d'usure à un « bon » revêtement de piscine. En fait, c'est le contraire qui se produit. Le revêtement de piscine finit par causer une usure du nettoyeur.

La même situation s'applique aux piscines creusées avec membrane de vinyle, car les membranes de vinyle sont aussi affectées par l'environnement et des facteurs tels que la chimie de l'eau de la piscine, la lumière du soleil et les environs de la piscine. Donc, avec le temps, le vinyle peut devenir cassant et fragile. De plus, les piscines avec membrane de vinyle sont affectées par la qualité de la main-d'œuvre, la composition et l'installation de la membrane et la qualité de la main-d'œuvre et de construction des murs de soutènement et de la base de la piscine. Tous ces facteurs peuvent contribuer à un défaut de la membrane. L'existence de l'un de ces types de conditions dans votre piscine n'est pas causée par l'utilisation ou le fonctionnement du nettoyeur de piscine. Le fabricant décline toute responsabilité pour les réparations ou le remplacement d'une quelconque de ces structures ou composants de la piscine du client.

Le propriétaire de la piscine doit assumer l'entière responsabilité pour l'état et l'entretien de la surface de la piscine, l'eau et la terrasse.

Avant l'installation du nettoyeur, veuillez prendre le temps de noter son numéro de série. Ce numéro est inscrit sur votre bon de garantie et au dos du nettoyeur, près des jets arrière. Vous devrez fournir ce numéro si vous contactez le Service du soutien technique.

N° DE SÉRIE _____

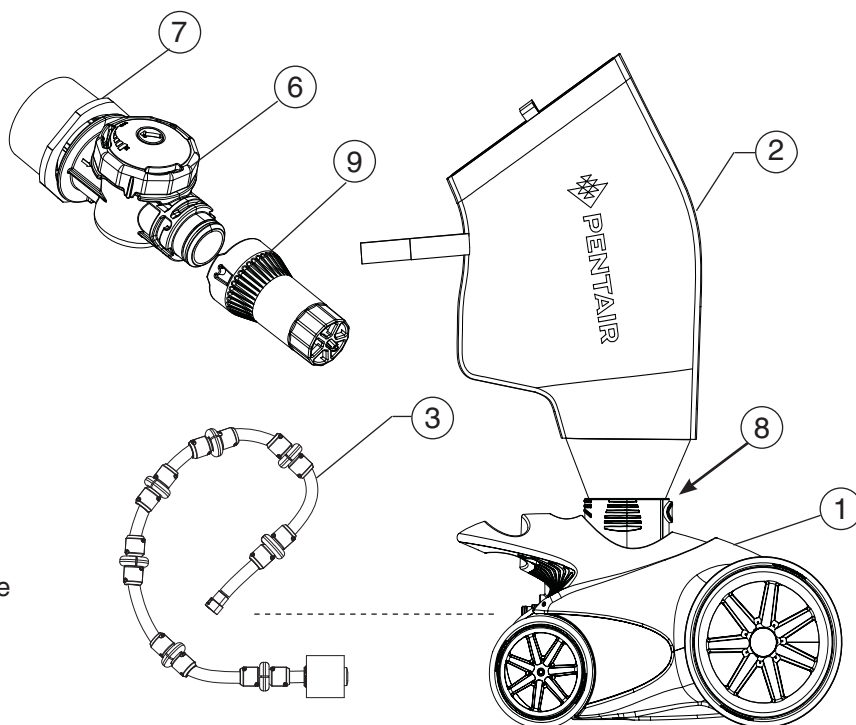
CONSERVER CES DIRECTIVES

APERÇU

Composants du nettoyeur

1. Tête du nettoyeur RACER LS
2. Sac à déchets
3. Tuyau balai
4. Assemblage du tuyau d'alimentation (non illustré)
 - 2 sections 10 pieds [3 m]
 - 1 section 7.5 pieds [2.3 m]
 - 1 section 2.5 pieds [0.8 m]
5. Vanne de recul (non illustré)
6. Connecteur mural
7. Adaptateur mural
8. Joint anti-débris
9. Débitmètre

REMARQUE : Le système de nettoyage est livré avec joint de débris installé à l'intérieur de la tête de nettoyage.



Aperçu

Le nettoyeur de parois de piscine à pression RACER® LS se déplace de façon aléatoire sur toute la surface de la piscine en aspirant les débris sur son chemin. La capacité d'escalade des parois du RACER LS dépend de la forme de la piscine. Il est généralement plus efficace dans les piscines sans angles ou courbes prononcées entre le fond et la paroi de la piscine.

Toutes les 3 minutes et demie environ, le nettoyeur entre en mode à contre-courant. À ce moment, la vanne de recul éloigne le nettoyeur de son dernier emplacement, lui permettant de contourner les obstacles et favorisant ainsi le nettoyage aléatoire de la surface de la piscine.

REMARQUE : avant d'installer et de faire fonctionner votre nettoyeur, lisez ces directives importantes :

1. Débranchez toujours le nettoyeur du mur de la piscine lors du nettoyage ou lavage à contre-courant du filtre de la piscine.
2. La saleté dans la tuyauterie peut obstruer le nettoyeur. Après le nettoyage ou le lavage à contre-courant, laissez le système de filtration fonctionner au moins cinq minutes avant de rebrancher le nettoyeur.
3. Les conduites de plomberies neuves doivent être rincées avant d'installer le nettoyeur.
4. Le nettoyeur ne doit pas être utilisé pour enlever la poussière de plâtre dans les piscines neuves.
5. Enlevez toujours le nettoyeur avant que les baigneurs n'entrent dans la piscine.
6. Manipulez toujours le nettoyeur avec soin.
7. Prenez toujours le nettoyeur par la poignée, surtout pour le sortir de l'eau.
8. Ne touchez pas au nettoyeur lorsqu'il est en marche.
9. Enlevez toujours le nettoyeur de la piscine avant les traitements de choc chimiques (super chloration). En règle générale, toute eau de piscine dangereuse pour les baigneurs est dangereuse pour le nettoyeur.
10. Coupez soigneusement le tuyau d'alimentation en suivant les instructions en page 3.
11. En suivant ces simples directives, vous pouvez aider à la protection contre les blessures et prolonger la durée de vie de votre nettoyeur.
12. Référez-vous aux « Avertissement et consignes de sécurité importants » des pages ii-ii pour des informations supplémentaires en matière d'installation et de sécurité.

INSTALLATION

Installation de la pompe d'appoint

Si vous avez déjà une pompe d'appoint installée et opérationnelle, sautez cette étape et passez à la section « Installation du raccord mural et de l'adaptateur »

Suivez ces instructions soigneusement.

Installation du raccord mural et de l'adaptateur mural

1. Enlevez et débranchez tout nettoyeur de piscine et/ou raccord mural existant.
2. Mettez en marche la pompe de filtrage et la pompe d'appoint pour rincer la plomberie.
3. Arrêtez la pompe de filtrage et la pompe d'appoint.
4. Si vous utilisez un adaptateur mural d'un fabricant autre que Pentair, veillez à ce que le réducteur de débit rouge ou bleu soit retiré de l'adaptateur mural avant de passer à l'étape suivante.

Vous pouvez facilement retirer le réducteur en appuyant dessus avec vos pouces (voir la **Figure 1**).

Remarque : Ne pas retirer le réducteur de débit d'un adaptateur mural d'une marque autre que Pentair empêchera le nettoyeur de recevoir le débit d'eau suffisant. Cela ralentira le nettoyeur et les cycles de nettoyage seront plus longs.

5. Insérez l'adaptateur mural dans la conduite de retour fileté NPT de 1-1/2 po. Serrez à la main. **Voir la Fig. 2.**
6. Alignez le raccord mural avec la cheville de verrouillage rapide à l'intérieur de l'adaptateur mural. Tournez de ¼ de tour dans le sens horaire pour verrouiller le raccord mural. **Tirez légèrement vers l'extérieur afin d'assurer un bon alignement pour engager les chevilles de verrouillage rapide. Voir la Fig. 2.**

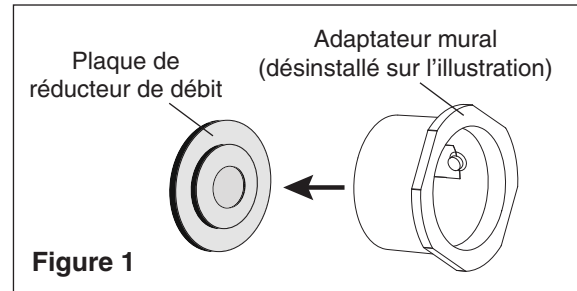


Figure 1

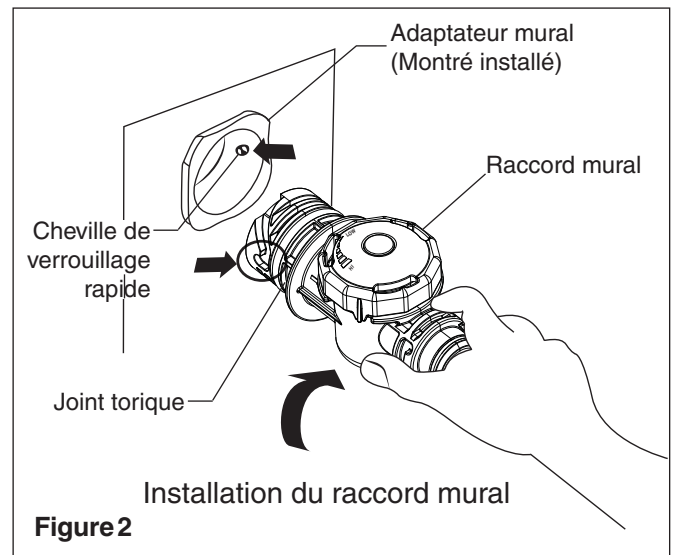


Figure 2

Calcul de la vitesse et des tr/min du nettoyeur

Afin de déterminer si le nettoyeur reçoit la pression d'eau nécessaire:

1. Désactiver la pompe pour piscine, puis soigneusement sortir le nettoyeur de la piscine.
2. Avec un feutre, dessiner une ligne noire sur la roue avant.
3. Demander à une autre personne de démarrer la pompe de la piscine et la pompe d'appoint tandis que vous posez le nettoyeur juste sous la surface de l'eau.

Remarque : ne pas oublier de tenir le tuyau balai pour ne pas vous mouiller; l'eau remontera pour tuyau balai une fois la pompe redémarrée.

4. Compter le nombre de tours complets de la marque noire sur la roue pendant environ une minute. Le nombre de tours complets représente la vitesse de fonctionnement (les tours par minute – tr/min) du nettoyeur.

Remarque : avant de commencer, vérifier que la valve de secours n'est pas activée.

5. Pour un rendement idéal, le nettoyeur RACER LS doit fonctionner à un régime de 35 à 42 tr/min. S'il fonctionne à moins de 35 tr/min, communiquez avec votre spécialiste de piscine local ou avec le service de soutien technique de Pentair au 1 800 831-7133. S'il fonctionne à plus de 42 tr/min, réglez la vanne du raccord mural, comme décrit dans la section « Réglage du débit d'eau pour le nettoyeur », à la page 8, jusqu'à ce que la vitesse soit inférieure à 42 tr/min.

Adaptation de l'assemblage du tuyau à la piscine

L'assemblage se compose de deux sections de 10 pi (3 m), une section de 7,5 pi (2,3 m), une section de 2,5 pi (0,8 m) et une vanne de recul.

Important pour la performance du nettoyeur : mesurez, coupez et assemblez ces sections de tuyau comme il est décrit aux Étapes 1 et 2. Utilisez des ciseaux robustes ou un couteau bien aiguisé pour couper les tuyaux, assurez-vous de glisser les flotteurs pour dégager l'emplacement de la coupe. Coupez les extrémités du tuyau aussi droit que possible.

Étape 1 : Mesure du tuyau de tête

1. Mesurez la partie la plus profonde de la piscine. Voir la Figure 3.

Remarque : la grille ou le dôme du drain principal au fond de la piscine est en général le point le plus profond. *Si la profondeur est supérieure à 10 pieds [3 mètres], ne coupez pas le tuyau, et passez à l'Étape 2.*

2. Si la profondeur de la piscine est inférieure à 10 pieds [3 mètres], débranchez le tuyau souple depuis le vâlvula de respaldo. Coupez le tuyau pour que sa longueur soit égale à la profondeur maximale de la piscine. Voir la Figure 4.

Exemple : si la profondeur de la piscine est de 8 ½ pi (2,5 m), coupez 1 ½ pi (50 cm) du bout connecté au second pivot (puisque la longueur du tuyau est de 10 pi/3 m)

3. Mettez au rebut l'excédent de tuyau. Reconnectez le tuyau que vous venez de couper au pivot sur le tuyau d'alimentation. Les trois sections doivent maintenant être connectées.

Étape 2 : Mesure des tuyaux d'alimentation (Sections 2 et 3)

4. Connectez l'assemblage des tuyaux au raccord mural. Voir la Figure 8. Puis connectez le raccord mural (avec le tuyau) à l'adaptateur mural. Voir la Figure 8. Prenez l'autre bout de l'assemblage des tuyaux et allez au point de la piscine le plus éloigné de l'adaptateur mural. **Pour éviter d'étirer le tuyau, laissez-le flotter sur l'eau de la piscine.** Mesurez l'excédent de longueur de tuyau (la portion de tuyau qui s'étend au-delà du bord de la piscine). Ceci détermine la longueur de tuyau à couper depuis les tuyaux d'alimentation semi-rigides (sections 2 et 3).
5. Débranchez l'assemblage du tuyau d'alimentation de l'adaptateur mural. Débranchez les tuyaux semi-rigides du premier pivot près de l'adaptateur mural.

6. Coupez la moitié de la longueur totale de l'excédent de chacune des sections de 3 m (10 pi) de tuyau semi-rigide (munies de quatre flotteurs) également. **Les deux sections de tuyau d'alimentation doivent avoir la même longueur après la coupe.**

Exemple : s'il y a 1,8 m (6 pi) d'excédent de tuyau. Coupez 0,9 m (3 pi) de chaque tuyau semi-rigide. (Moitié de 1,8 m ou 6 pi = 0,9 m ou 3 pi chacune)

Si vous coupez plus de 0,9 m (3 pi) de chaque tuyau, enlevez un (1) flotteur de chaque section.

Remarque : pour les grandes piscines nécessitant une longueur de tuyau supplémentaire, vous devez acheter un (1) kit de tuyau supplémentaire, n° de pièce 360266 (tuyau rigide simple de 3 m/10 pi), Branchez le tuyau supplémentaire au raccord mural en utilisant le pivot et les écrous de serrage fournis.

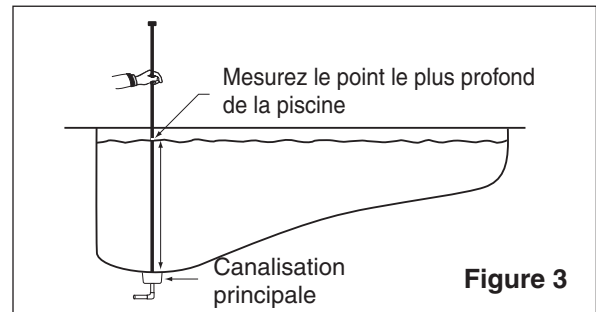


Figure 3

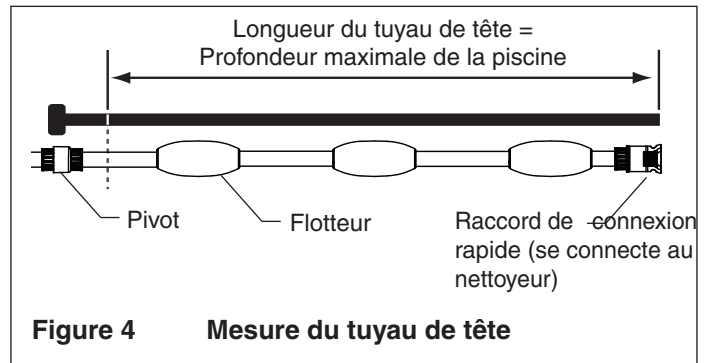


Figure 4 Mesure du tuyau de tête

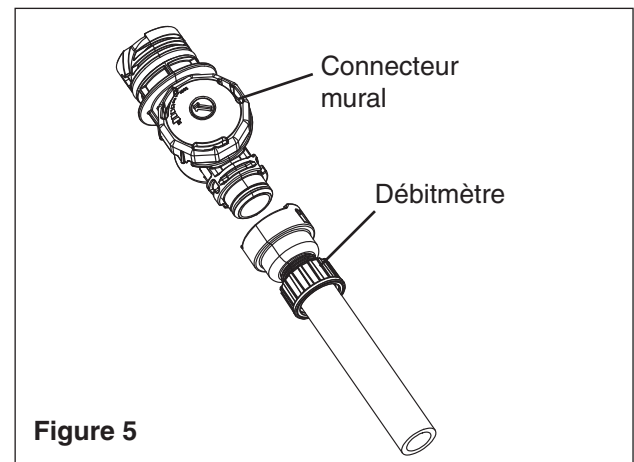


Figure 5

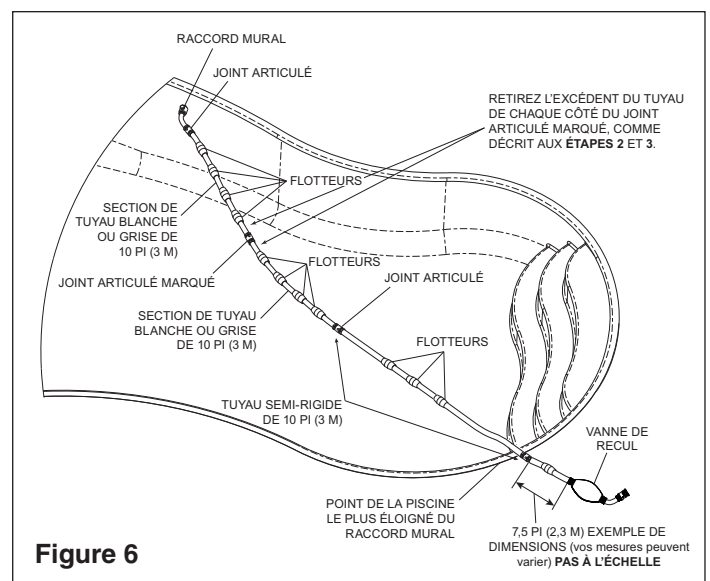


Figure 6

Étape 3 : Connexion de tous les tuyaux

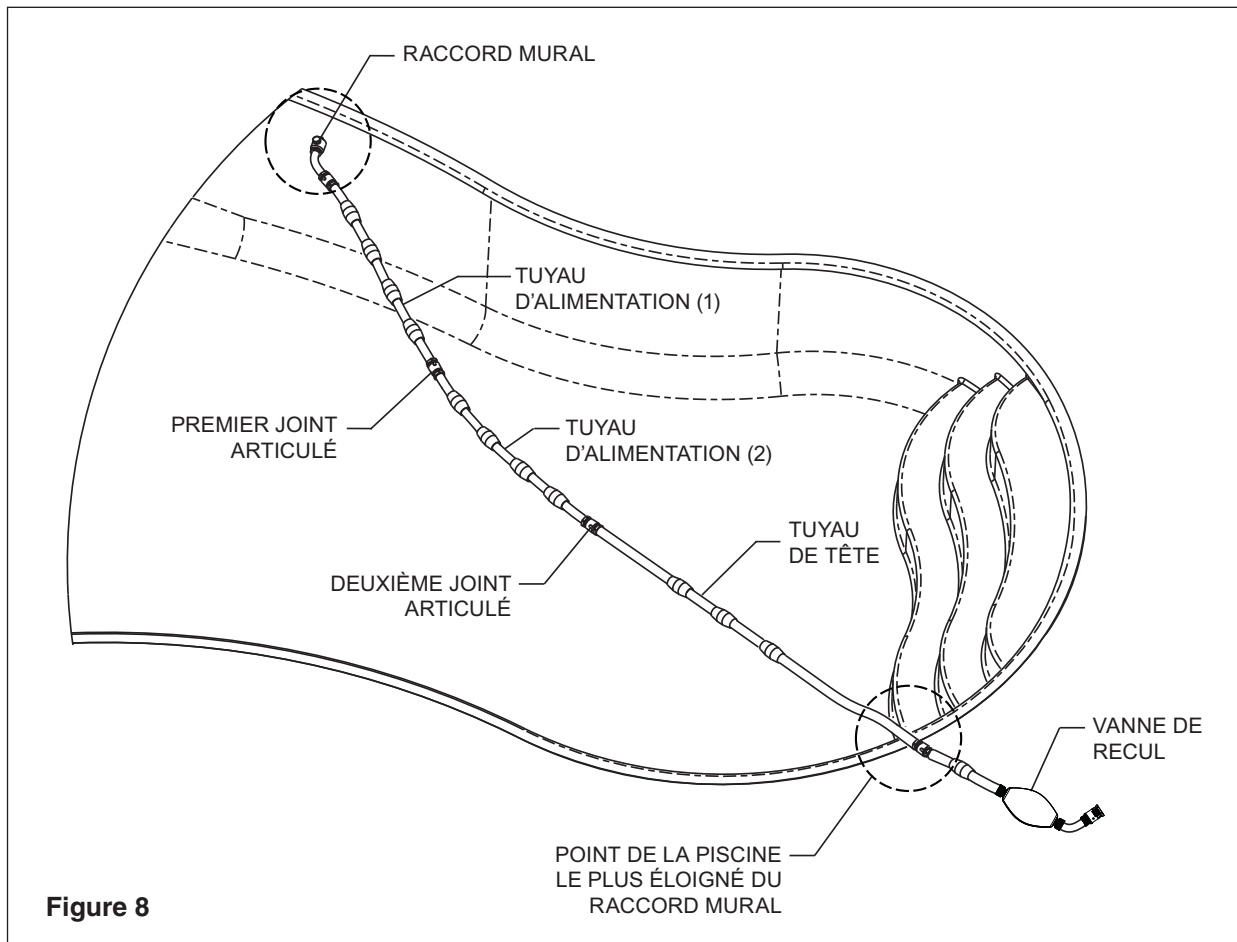
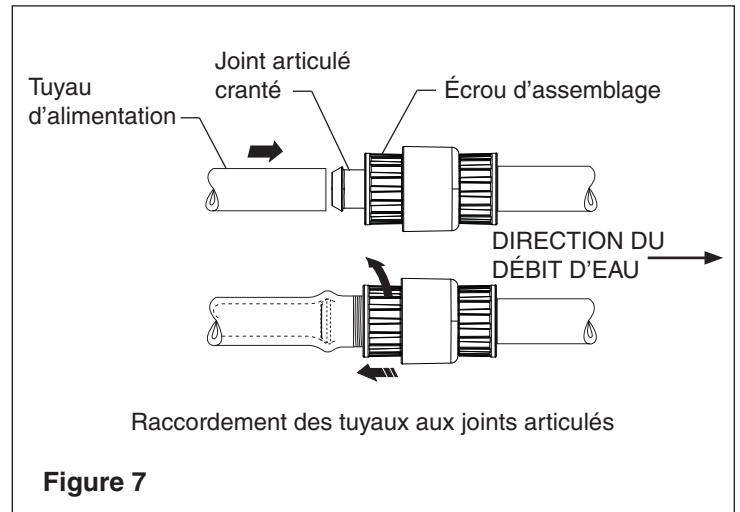
1. Après avoir coupé les sections de tuyaux à la dimension, reconnectez-les en poussant le bout du tuyau sur le raccord barbelé du premier pivot à partir du raccord mural.

Remarque : assurez-vous de pousser le tuyau à fond sur le raccord barbelé.

2. Glissez l'écrou de serrage vers le tuyau en tournant dans le sens horaire jusqu'à ce qu'il soit serré. Utilisez une pince si nécessaire.

Remarque : assurez-vous que le même nombre de flotteurs reste sur chaque section de tuyau semi-rigide selon la description à l'Étape 2, en page 3.

3. Pour vérifier que le tuyau est coupé à la bonne longueur, reconnectez le tuyau et le raccord mural à l'adaptateur mural. Prenez l'autre bout de l'assemblage des tuyaux et allez au point de la piscine le plus éloigné de l'adaptateur mural. Le tuyau doit atteindre le bord de la piscine mais ne doit pas dépasser du bord de plus de 15 cm (6 po).
4. Vous pouvez maintenant rebrancher le nettoyeur au tuyau.

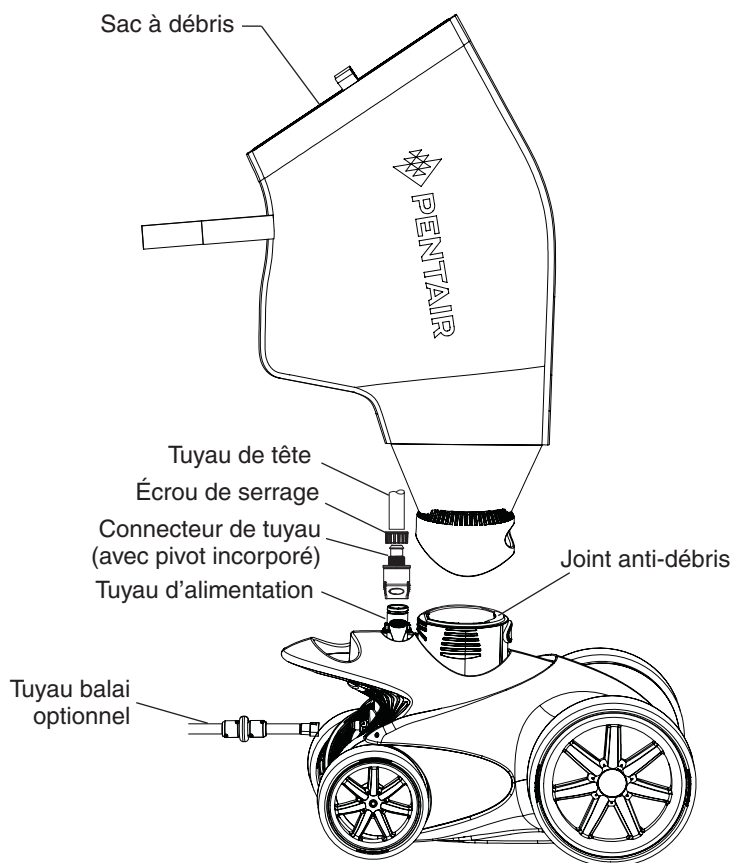


Utilisation du nettoyeur

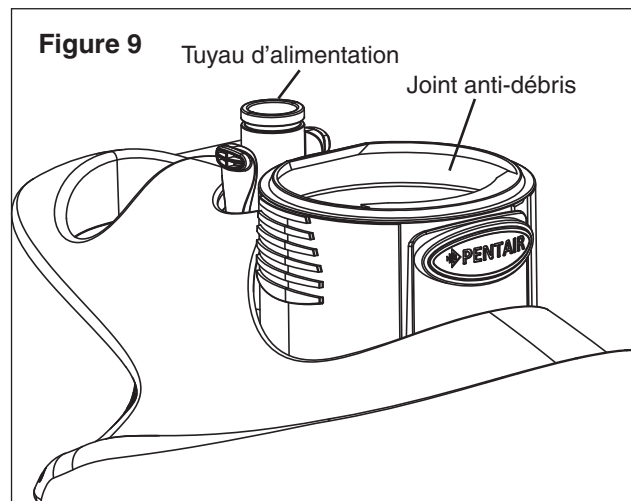
1. Branchez l'assemblage complet du tuyau au tube d'alimentation du nettoyeur. Assurez-vous que les mousquetons sont engagés.
2. Fixez le sac à débris au nettoyeur. Poussez le sac sur le tube d'aspiration pour qu'il s'enclenche correctement.
3. Révisez la liste de vérification avant utilisation :
 - Tuyaux coupés correctement et espacés uniformément.
 - Écrous de serrage du tuyau d'alimentation serrés.
 - Raccord mural en place et serré.
 - Sac de débris et assemblage des tuyaux connectés.
 - Assurez-vous que le joint anti-débris est fixé. **Voir la Fig. 9.**

Utiliser le nettoyeur

1. Immergez doucement le nettoyeur dans la piscine.
2. D'abord, mettez en marche la pompe du filtre.
3. Attendez au moins 60 secondes pour évacuer l'air du tuyau.
4. Mettez en marche la pompe d'appoint.



Assemblage du nettoyeur



RÉGLAGES ET FONCTIONNEMENT DU NETTOYEUR

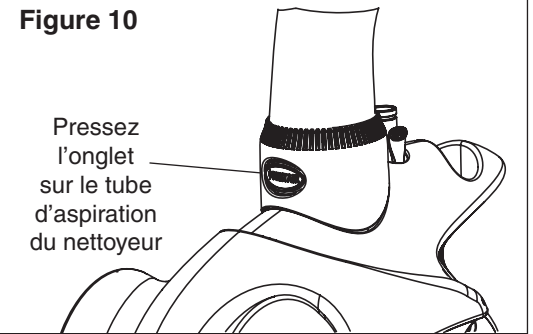
Fonctionnement du nettoyeur

Remarque : le nettoyeur peut avoir besoin de quelques petits réglages afin d'assurer son bon fonctionnement pour éviter tout dommage au nettoyeur, au revêtement ou à la membrane de la piscine.

Lorsqu'il fonctionne correctement, le nettoyeur se déplace de manière aléatoire dans toute la piscine, tout en aspirant et en brossant le fond.

- La capacité du nettoyeur à grimper dépend de la structure de la piscine et de l'écoulement de l'eau.
- Un cycle de nettoyage d'une heure est recommandé pour les piscines (15 pi - 30 pi [4.6 m - 9.1 m]) résidentielles de taille moyenne.
- Sa performance sera plus efficace dans les piscines n'ayant pas une transition brutale entre le fond et les parois.
- Le nettoyeur se met en marche arrière pendant 15 secondes toutes les 3,5 minutes environ.
- Si la piscine a un niveau élevé de débris, utilisez le nettoyeur en deux cycles courts. Videz le sac à débris entre les cycles.

Figure 10

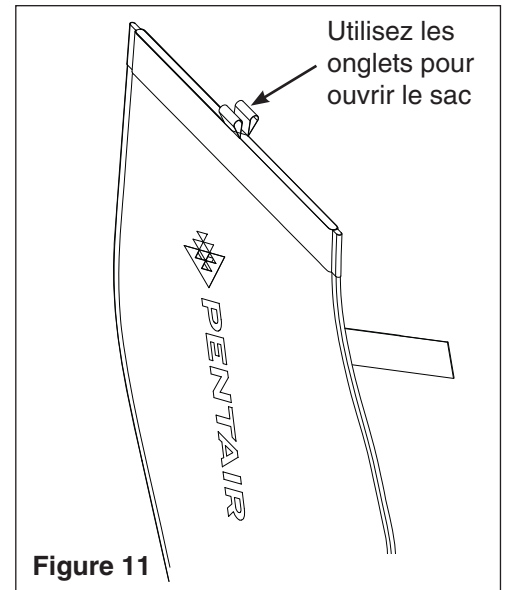


Pressez l'onglet sur le tube d'aspiration du nettoyeur

FRANÇAIS

Nettoyage du sac à débris

1. Détachez la bretelle du sac du tuyau.
2. Pressez l'onglet sur le tube d'aspiration du nettoyeur et tirez doucement vers le haut pour enlever le sac du nettoyeur. **Voir Fig. 10.**
3. Ouvrez la fermeture du sac en écartant les onglets en tissu au haut du sac (**Voir Fig. 11**). En tenant le fond du sac, retournez-le pour vider les débris par le haut. Si nécessaire, rincez le sac avec un tuyau d'arrosage.
4. Pour fermer, pressez le crochet et formez une boucle de tissu en haut du sac, et glissez un doigt sur toute la longueur du sac de manière à le fermer complètement.
5. Assurez-vous que la valve à débris est sur le tube d'aspiration. **Voir Fig. 9 en page 5.**
6. Glissez le collier du sac à débris sur le tube d'aspiration jusqu'à ce qu'il s'enclenche.
7. Rattachez la bretelle au tuyau d'alimentation.
8. Pour empêcher le sac de se plier pendant le fonctionnement, attachez la bretelle au-dessus du premier flotteur de la ligne. Glissez le flotteur vers le bas si nécessaire.



Utilisez les onglets pour ouvrir le sac

Figure 11

Remarque : il est plus facile de vider le sac à débris quand il est sec. Un second sac (acheté séparément) peut être utilisé pendant que le sac à débris plein est en cours de séchage.

Nettoyage du filtre en ligne

Lorsque vous nettoyez le sac de débris du nettoyeur, vous devez aussi inspecter le tamis à particules du filtre en ligne. Le tamis à débris se trouve à environ 18 pouces (45,7 mm) du raccord mural.

Pour nettoyer le tamis à particules du filtre en ligne:

1. Sortez le nettoyeur de l'eau et posez-le à plat sur le bord de la piscine.
2. Retirez le capuchon du boîtier du filtre en le dévissant.
3. Retirez le tamis à particules du boîtier du filtre et enlevez tous les débris. Utilisez un tuyau d'arrosage pour éliminer toutes les saletés logées dans le tamis.
4. Réinstallez le tamis à particules dans le boîtier du filtre et revissez le capuchon du boîtier du filtre. Serrez-le manuellement seulement.

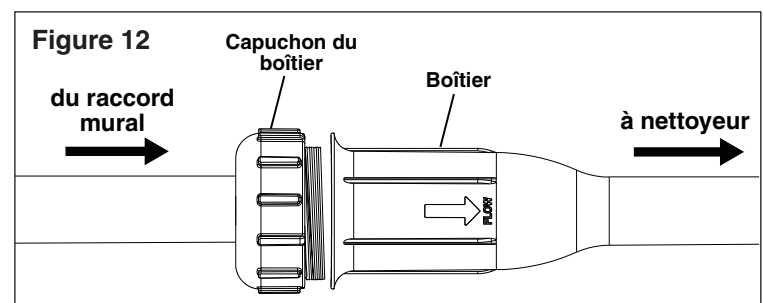


Figure 12

du raccord mural

Capuchon du boîtier

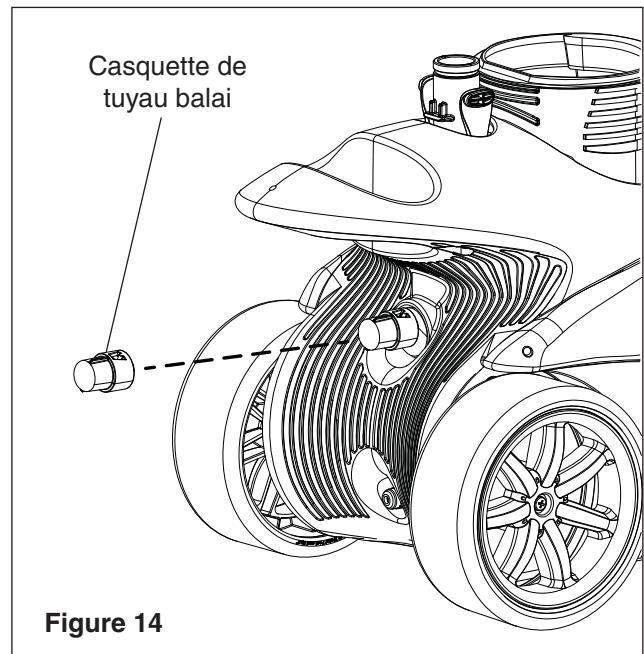
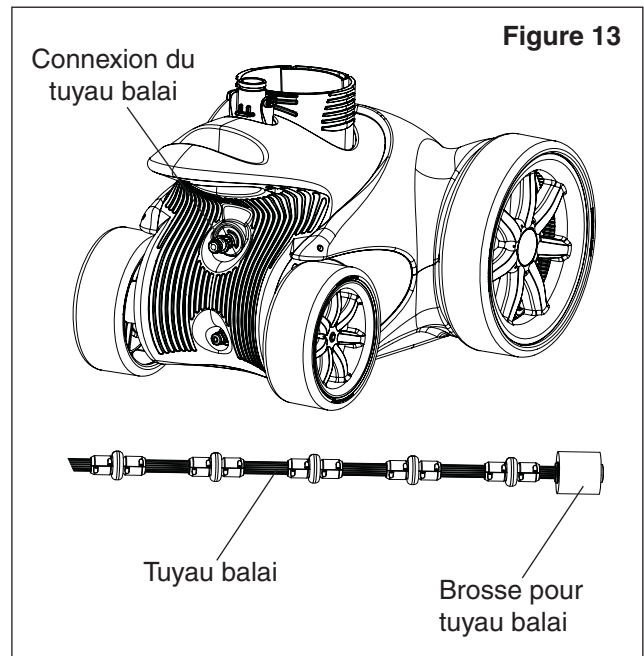
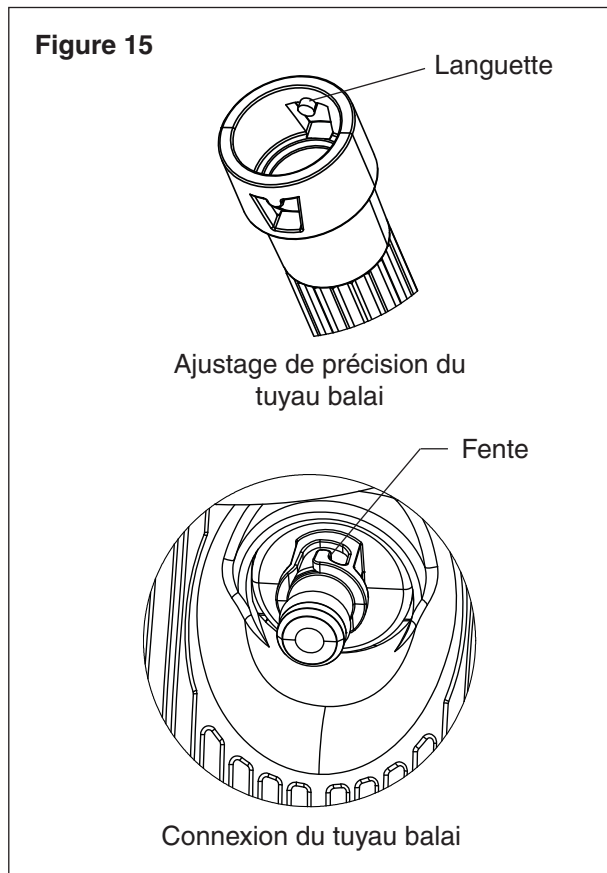
Boîtier

à nettoyeur

Installer et enlever le tuyau de balayage

Le nettoyeur de piscine côté refoulement Racer® LS comprend un capuchon de tuyau de balayage installé par dessus le raccord de tuyau de balayage (voir **Figure 14**). Ce capuchon bouche le raccord du tuyau de balayage pendant que le tuyau de balayage n'est pas utilisé.

1. Pour déverrouiller et retirer le capuchon du tuyau de balayage, faites lui faire un quart de tour dans le sens contraire des aiguilles d'une montre tout en le poussant vers l'intérieur du nettoyeur. Enlevez le capuchon du raccord du tuyau de balayage en tirant dessus simplement.
2. Alignez les languettes à l'intérieur du tuyau de balayage (de formes rondes et situées au bout du tuyau de balayage) avec les fentes de verrouillage sur le raccord du tuyau de balayage du nettoyeur. Voir **Figure 15**.
3. Poussez le tuyau de balayage dans le raccord du tuyau de balayage du nettoyeur et faites le tourner dans le sens des aiguilles d'une montre jusqu'à ce qu'il s'immobilise (environ 1/4 de tour). Tirez le tuyau de balayage vers l'extérieur du nettoyeur pour le verrouiller en place.
4. Pour déverrouiller et retirer le capuchon du tuyau de balayage, faites lui faire environ un quart de tour dans le sens contraire des aiguilles d'une montre tout en le poussant vers l'intérieur du nettoyeur. Retirez le tuyau de balayage du raccord et rangez-le dans un endroit sûr.



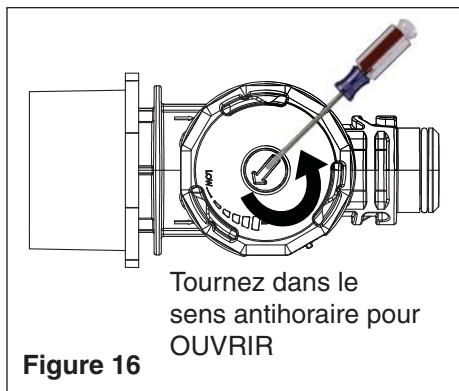
Réglage du débit d'eau pour le nettoyeur

Un débit d'eau inadéquat peut diminuer le rendement du nettoyeur de parois de piscine à pression RACER® LS. **Pour assurer un rendement idéal, le nettoyeur RACER LS doit fonctionner à une vitesse de 35 à 42 tr/min.** Consultez la section « Calculer la vitesse (tr/min) du nettoyeur » à la page 2 pour obtenir des instructions sur la façon de déterminer la vitesse de votre nettoyeur.

Le débit peut être ajusté au raccord mural à l'aide de la vanne.

Pour régler le débit :

1. À l'aide d'un tournevis à tête plate, tournez la vanne dans le sens horaire (pour réduire le débit) ou antihoraire (pour augmenter le débit). Voir la **Figure 16**.



ENTRETIEN

Entretien périodique

Inspectez régulièrement les composants du nettoyeur et la performance du nettoyeur pour vous assurer qu'il fonctionne comme prévu. Remplacez et/ou réparez tout composant usé ou endommagé. Le fait de ne pas suivre les instructions ou d'effectuer une installation incorrecte du nettoyeur peut causer des dommages au nettoyeur, au revêtement ou à la membrane vinyle de la piscine.

Les pièces suivantes sont sujettes à l'usure. Elles doivent être inspectées régulièrement et remplacées le cas échéant.

Pneus

Les pneus sont conçus pour protéger le fond de votre piscine et pour assurer la traction. Les pneus s'usent et doivent être remplacés à l'occasion. Un bon palier tourne librement.

Sacs à déchets

Le nettoyeur est livré avec un sac pour usage général et est utilisé pour toutes sortes de déchets. Remplacez le sac quand le tissu est déchiré ou percé.

Remarque : afin de prolonger la durée de vie de votre nettoyeur, retirez-le de la piscine avant d'ajouter des produits chimiques.

Tuyau de balayage

Le tuyau balai vous aide à garder les coins difficiles à atteindre de votre piscine propres. Remplacez la brosse du tuyau balai au besoin.

Bagues de roulement du tuyau balai

Votre tuyau balai est muni d'une série de bagues de roulement pour le protéger. Remplacez les bagues si nécessaire. Assurez-vous que les bagues tournent librement.

Lavage à contre-courant du filtre de la piscine

Débranchez toujours le nettoyeur du mur de la piscine avant de nettoyer ou de laver à contre-courant le filtre de la piscine. Après le nettoyage ou le lavage à contre-courant, laissez le système de filtration et la pompe d'appoint fonctionner pendant au moins cinq minutes pour rincer les conduites de retour avant de reconnecter le nettoyeur.

Rangement et hivernage

Vous pouvez laisser l'adaptateur mural sur le mur et ranger les tuyaux enroulés, sans aucun pincement. Assurez-vous de laisser les tuyaux déroulés au soleil pendant 12 à 24 heures avant de les utiliser à nouveau. Utilisez le débitmètre pour vous assurer que le débit est suffisant pour le fonctionnement du nettoyeur.

Nettoyage du filtre à particules du raccord mural

À l'intérieur du raccord mural se trouve un filtre en acier inoxydable qui agit comme un filtre secondaire. Ce filtre capture les débris qui ont passé à travers le filtre de la piscine.



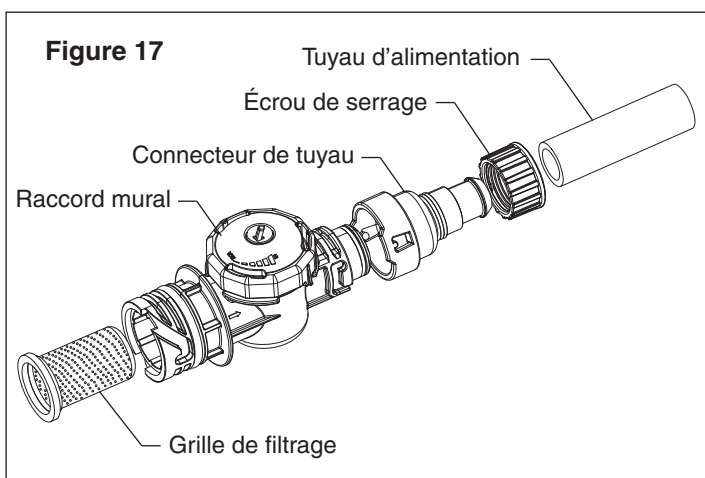
ATTENTION Le filtre à particules du raccord mural doit être nettoyé une fois par semaine. Le nettoyeur pourrait être endommagé à défaut de nettoyer régulièrement le filtre à particules.

IMPORTANT! Un filtre sale peut être signe de problèmes potentiels dans votre système de filtration de piscine. Vous pourriez devoir communiquer avec votre spécialiste de piscine local.

Remarque : L'utilisation du nettoyeur sans le filtre peut endommager le nettoyeur et annuler la garantie.

Pour nettoyer le filtre à particules :

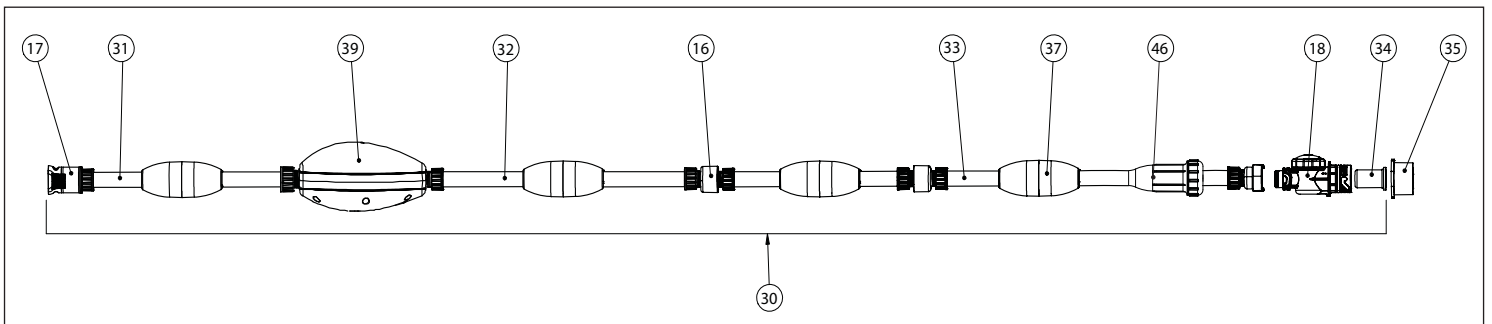
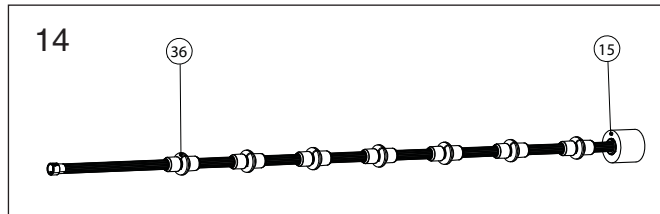
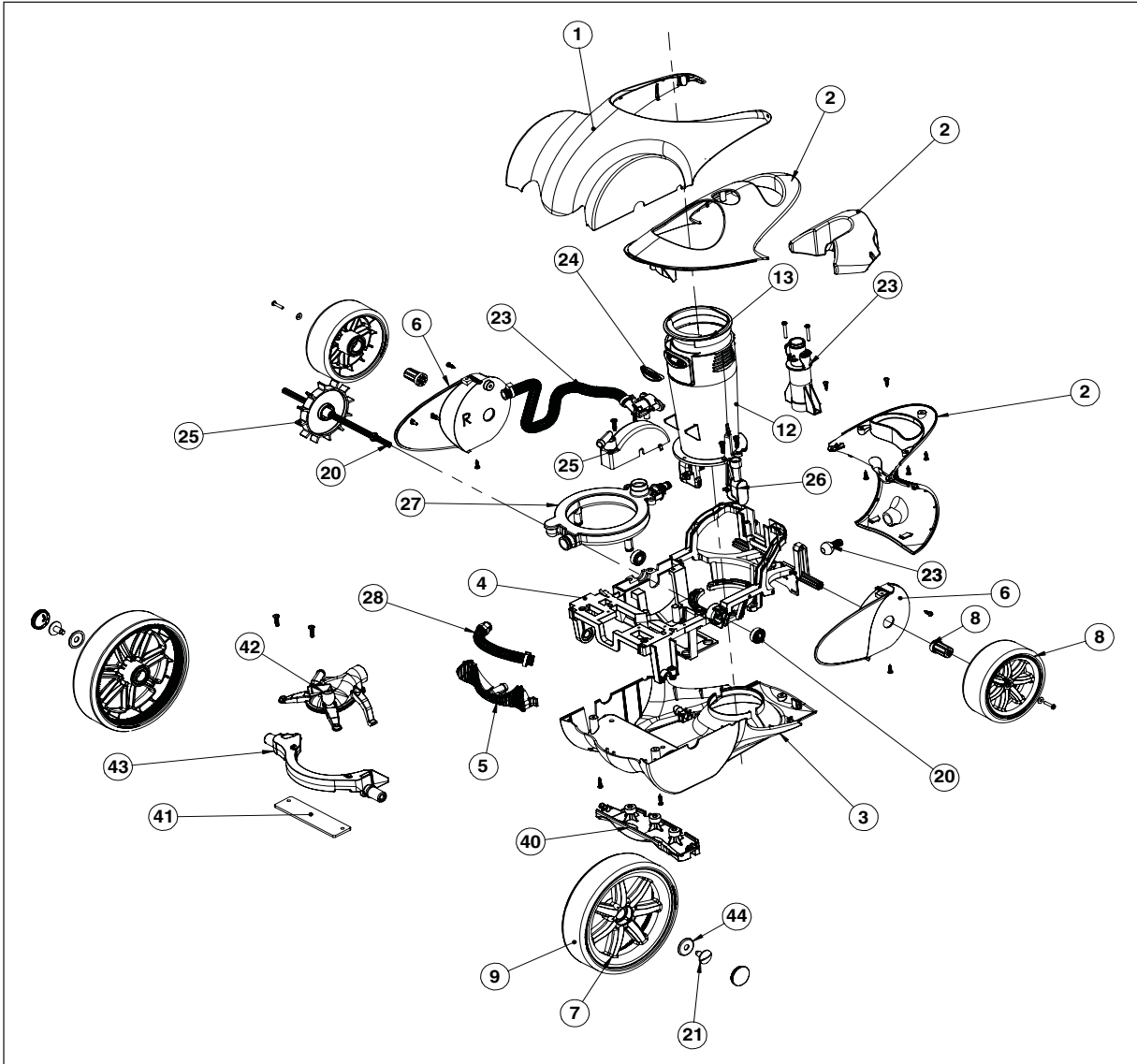
1. Éteignez la pompe d'appoint puis la pompe de filtration.
2. Retirez le raccord de l'adaptateur mural.
3. Retirez le filtre du raccord mural.
4. Rincez-le abondamment jusqu'à ce qu'il soit propre puis réinsérez-le à l'intérieur du raccord mural.
5. Chaque fois que vous procédez à un nettoyage, un lavage à contre-courant ou une réparation du filtre de la piscine, nettoyez également le filtre du raccord mural après votre premier cycle de nettoyage.



Nettoyage de la grille de filtrage

PIÈCES DE RECHANGE

Liste des pièces illustrée



FRANÇAIS

Liste des pièces

Élément N°	N° de pièce	Description
1	360422	Trousse de couvercle supérieur
2	360425	Trousse de couvercle arrière
3	360424	Trousse de couvercle inférieur
4	360427	Trousse de châssis
5	360426	Trousse de grille
6	360423	Trousse de couvercle latéral
7	360235	Trousse de grande roue
8	360236	Trousse de petite roue
9	360237	Trousse de grands pneus
10*	360240	Trousse de sac à débris (sans collet), attache auto-agrippante
11*	360241	Trousse de collet de sac à débris
12	360242	Trousse de tube d'aspirateur
13	360243	Trousse de soupape anti-débris
14	360244	Trousse de tuyau balai
15	360245	Trousse de brosse pour tuyau balai
16	360249	Trousse de joint articulé de conduite d'alimentation
17	360250	Trousse de connexion rapide de conduite d'alimentation
18	360251	Trousse de raccord mural de conduite d'alimentation
19	360252	Trousse de raccord de conduite d'alimentation
20	360253	Trousse d'arbre du système d'entraînement
21	LLC55PMB	Trousse de vis à roue
22*	360255	Trousse de vis
23	360419	Trousse de tuyau de poussée

Élément N°	N° de pièce	Description
24	360258	Trousse de bouton en caoutchouc
25	360414	Trousse de boîtier de turbine
26	360260	Trousse de diffuseur
27	360416	Trousse de gestion de l'eau
28	360420	Trousse de tuyau de turbine
29	360417	Trousse de mise au point
30	360431	Assemblage de tuyaux complet
31	360429	Trousse de tuyau de tête, 2,5 pi
32	360430	Trousse de tuyau de tête, 7,5 pi
33	360266	Trousse de conduite d'alimentation rigide, 10 pi
34	E24	Filtrage à particules
35	LL23PM	Adaptateur mural fileté
36	EB10G	Anneau de tuyau balai
37	360270	Flotteur de conduite d'alimentation
38*	360268	Trousse de joint torique de conduite d'alimentation
39	360428	Trousse de vanne de recul
40	360421	Trousse de couvercle de brosse
41	360418	Trousse de poids SS
42	360415	Trousse de collecteur
43	360434	Trousse de remplacement d'essieu
44	EC64	Trousse de rondelles de roue
45*	360436	Casquette de tuyau balai
46	360392	Ensemble du filtre en ligne
47*	360437	Trousse de rechange du tamis du filtre en ligne

Remarque : (*) non illustré

Utilisez l'information de dépannage suivante pour résoudre les problèmes potentiels avec le nettoyeur.

Problème	Mesure corrective
Le nettoyeur ne bouge pas ou se déplace lentement.	<p>Assurez-vous que la pompe du filtre et que la pompe d'appoint sont sous tension et qu'elles font circuler l'eau. (Vous pourriez devoir nettoyer le système de filtration de votre piscine.)</p> <p>Assurez-vous que le filtre à particules du raccord mural est exempt de débris; vous pourriez devoir le retirer et le rincer. Voir page 9.</p> <p>Assurez-vous que le tamis à particules du filtre en ligne est exempt de débris. Vous pourriez devoir le retirer et le rincer. Voir page 6.</p> <p>Vérifiez si le débit est adéquat en calculant la vitesse de nettoyage (voir page 2). Réglez le débit au raccord mural au besoin (voir page 8).</p> <p>Vérifiez tous les raccords et les joints articulés de la conduite d'alimentation pour la présence de fuites.</p> <p>Assurez-vous qu'un réducteur de débit n'est pas installé dans l'adaptateur mural. Retirez le réducteur de débit, le cas échéant. Voir page 2.</p> <p>Vérifiez si des débris sont coincés dans les dents d'engrenage de l'une des roues motrices avant. Tournez doucement les roues avant vers l'arrière pour déloger les débris.</p> <p>Vérifiez si les roues arrière tournent librement. Remplacez les roues au besoin.</p> <p>Vérifiez que la vanne de recul se met en marche toutes les 3 minutes et demie, inversant ainsi le nettoyeur.</p>
Le nettoyeur s'arrête aux marches.	<p>Vérifiez que la vanne de recul se met en marche toutes les 3 minutes et demie, inversant ainsi le nettoyeur.</p> <p>Vérifiez si le débit est adéquat en calculant la vitesse de nettoyage (voir page 2). Réglez le débit au raccord mural au besoin (voir page 8).</p>
Le nettoyeur penche d'un côté.	<p>Indique habituellement un sac de débris plein. Videz le sac de débris (voir page 6).</p> <p>Remarque : Le nettoyeur basculera parfois d'un côté (sur deux roues) pendant un cycle de virage. Observez le nettoyeur pendant quelques minutes pour voir s'il se positionne en position verticale.</p>
Le nettoyeur ne se déplace pas en sens inverse.	<p>Vérifiez que la vanne de recul se met en marche toutes les 3 minutes et demie, inversant ainsi le nettoyeur.</p> <p>Vérifiez si le débit est adéquat en calculant la vitesse de nettoyage (voir page 2). Réglez le débit au raccord mural au besoin (voir page 8).</p> <p>Assurez-vous que le filtre à particules du raccord mural est exempt de débris; vous pourriez devoir le retirer et le rincer. Voir page 9.</p> <p>Assurez-vous que le tamis à particules du filtre en ligne est exempt de débris. Vous pourriez devoir le retirer et le rincer. Voir page 6.</p>
Le nettoyeur ne grimpe pas.	<p>Vérifiez le sac de débris. Videz le sac de débris s'il est plein.</p> <p>Vérifiez si le débit est adéquat en calculant la vitesse de nettoyage (voir page 2). Réglez le débit au raccord mural au besoin (voir page 8).</p> <p>Remarque : La capacité de grimper du nettoyeur dépend de la forme de la piscine et du débit d'eau disponible. Il est généralement plus efficace dans les piscines sans angles ou courbes prononcées entre le fond et la paroi de la piscine.</p>
Les tuyaux s'emmêlent.	<p>Vérifiez la longueur du tuyau d'alimentation. Un tuyau trop long est susceptible de s'emmêler. Consultez la page 3 pour déterminer la longueur de votre conduite d'alimentation.</p> <p>Vérifiez que le tuyau d'alimentation flotte à la surface de la piscine. Les flotteurs de tuyaux doivent être espacés d'environ deux pieds. Consultez la page 3 pour savoir comment positionner les flotteurs.</p> <p>Assurez-vous que les joints articulés tournent librement. Remplacez les joints articulés s'ils sont trop serrés.</p> <p>Assurez-vous que le tuyau d'alimentation n'est pas plié ou écrasé.</p>
La pompe d'appoint est très bruyante.	<p>Assurez-vous que la pompe du filtre et que la pompe d'appoint sont sous tension et qu'elles font circuler l'eau. (Vous pourriez devoir nettoyer le système de filtration de votre piscine.)</p> <p>Assurez-vous que le raccord mural est correctement installé. En cas de fuite, le joint torique pourrait devoir être remplacé.</p> <p>Communiquez avec votre spécialiste de piscine local; il pourrait s'agir d'un problème de pompe d'appoint.</p>
Les roues arrière glissent ou ne tournent pas.	<p>Vérifiez que les roues sont libres de débris.</p>



1620, HAWKINS AVE., SANFORD, NC 27330 • 1-919-566-8000
10951, WEST LOS ANGELES AVE., MOORPARK, CA 93021 • 1-805-553-5000

WWW.PENTAIRPOOL.COM

Toutes les marques de commerce et tous les logos Pentair sont la propriété de Pentair ou de l'une de ses filiales internationales. Pentair Aquatic Systems® et RACER® sont marques déposées de Pentair Water Pool and Spa, Inc. ou de ses sociétés affiliées aux États-Unis ou dans d'autres pays. Sauf indication expressément contraire, les noms et les marques de tiers qui peuvent être utilisés dans le présent document ne sont pas utilisés pour indiquer une affiliation ou une approbation entre les propriétaires de ces marques et Pentair Water Pool and Spa, Inc. Ces noms et ces marques peuvent être des marques de commerce ou des marques déposées de ces tiers. Parce que nous améliorons constamment nos produits, Pentair se réserve le droit de changer ses caractéristiques sans avis préalable. Pentair offre l'égalité d'accès à l'emploi.

© 2016 Pentair Water Pool and Spa, Inc. Tous droits réservés. Ce document peut être modifié sans avis préalable.



N/P 371824 RÉV. A 10/25/16