



MASTERTEMP™ 125 POOL AND SPA HEATER (EURO) INSTALLATION AND USER'S GUIDE

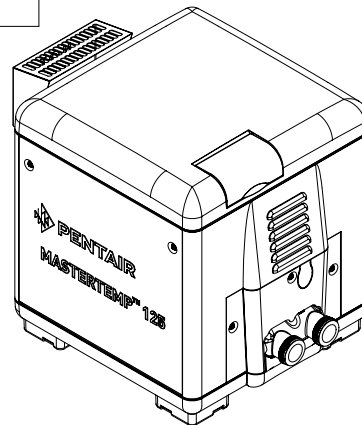
⚠ WARNING FOR YOUR SAFETY - READ BEFORE OPERATING

If you do not follow these instructions exactly, a fire or explosion may result, causing property damage, personal injury or loss of life. For additional free copies of this manual; call USA (800) 831-7133.

FOR YOUR SAFETY - This product must be installed and serviced by authorized personnel, qualified in pool/spa heater installation. Improper installation and/or operation can create carbon monoxide gas and flue gases which can cause serious injury, property damage, or death. For indoor installations, as an additional measure of safety, Pentair Water Pool and Spa strongly recommends installation of suitable **Carbon Monoxide Detectors** in the vicinity of this appliance and in any adjacent occupied spaces. Improper installation and/or operation will void the warranty.

Models (240 VAC)	Natural Gas (G20 , G25)	Propane Gas (G31)
MT125, EURO	461078	461079
MT125HD, EURO	460902	460903

COUNTRY OF DESTINATION:
GB, BE, FR, DE



**OWNER:
Retain For
Future
Reference**

NOx CLASS 5

⚠ WARNING Improper installation, adjustment, alteration, service or maintenance can cause property damage, personal injury or death. Installation and service must be performed by a qualified installer, service agency or the gas supplier.

⚠ WARNING FOR YOUR SAFETY

- If you do not follow these instructions exactly, a fire or explosion may result, causing property damage, personal injury or loss of life.
- Improper installation, adjustment, alteration, service or maintenance can cause property damage, personal injury or death. Installation and service must be performed by a qualified installer, service agency or the gas supplier.
- Do not place articles or against this appliance.
- Do not use or store flammable materials near this appliance.
- Do not spray aerosols in the vicinity of this appliance while it is in operation.

**FOR
YOUR
SAFETY**

WHAT TO DO IF YOU SMELL GAS

- Do not try to light any appliance.
- Do not touch any electrical switch; do not use any phone in your building.
- Immediately call your gas supplier from a neighbor's phone. Follow the gas supplier's instructions.
- If you cannot reach your gas supplier, call the fire department.

DO NOT store or use gasoline or other flammable vapors and liquids in the vicinity of this or other appliances.

Pentair Water Pool and Spa, Inc. EMEA: Head Office: Industriepark, Wolfstee, Toekomstlaan 30, 2200 Herentals - Belgium.
Pentair Water Pool and Spa, Inc. USA: 1620 Hawkins Ave., Sanford, NC 27330, USA • (919) 566-8000 • (800) 831-7133
10951 W. Los Angeles Ave., Moorpark, CA 93021, USA • (805) 553-5000 • (800) 831-7133



**MASTERTEMP™
POOL AND SPA HEATER**



General Specifications
 GAS TYPE: _____
 GAS GROUP: _____
 GAS SUPPLY PRESSURE: _____
 TYPE OF APPLIANCE: _____
 COUNTRY OF DESTINATION: _____

FOR YOUR SAFETY
 Do not store or use gasoline or other flammable vapors and liquids in the vicinity of this or any other appliance.

⚠ WARNING!
 READ THE TECHNICAL INSTRUCTIONS BEFORE INSTALLING THIS APPLIANCE.
 READ THE INSTALLATION AND USER'S GUIDE BEFORE LIGHTING THIS APPLIANCE.

© 2016 Pentair Water Pool and Spa, Inc. 1620 Hawkins Ave., Sanford, NC 27330 USA



MASTERTEMP™ POOL HEATER



DESIGN AND MANUFACTURED BY PENTAIR WATER POOL AND SPA, INC. TYPE G23

MODEL NO. _____	THIS HEATER IS EQUIPPED TO BURN _____ GAS
SERIAL NO. _____	INPUT RATE _____ kW
GAS SUPPLY PRESSURE: _____	ORIFICE SIZE _____ mm
G20: _____ mbar, G25: _____ mbar	OUTPUT _____ kW
G31: _____ mbar	ALTITUDE _____ 2000 m
TEST POINT PRESSURE _____ mbar	MINIMUM CLEARANCE FROM COMBUSTIBLE CONSTRUCTION 15 CM REAR, 15 CM TOP, 15 CM SIDE.
MAX. WORKING PRESSURE 3.45 mbar	DO NOT INSTALL THIS HEATER UNDER AN OVERHANG LESS THAN 1 METER FROM THE TOP. THE AREA UNDER THE OVERHANG MUST BE OPEN ON THREE (3) SIDES.
APPLIANCE CATEGORY 2H, 3P, 2E, 2N, 2ES, 2EL, 2ELL	REFER TO THE OPERATING INSTRUCTIONS FOR APPROVED WATER TREATMENT.
COUNTRY OF DESTINATION _____ GB, BE, DE, FR	
YEAR OF MANUFACTURE _____	
ELECTRICAL RATINGS:	
VOLTS: _____ V	
HERTZ: _____ Hz	
AMPS: _____ 12 A	

APPROVED FOR INDOOR AND OUTDOOR INSTALLATIONS.
 ELECTRICAL COMPLIANCE: IN ACCORDANCE WITH LOCAL ELECTRICAL CODES.
 THIS APPLIANCE MUST BE INSTALLED IN ACCORDANCE WITH THE EUROPEAN STANDARD INSTALLATION CODES, AND WITH THE REQUIREMENTS OF THE AUTHORITY HAVING JURISDICTION.
 Pentair Water Pool and Spa, Inc. 1620 Hawkins Ave., Sanford, NC 27330 USA Label P/N

CODE REQUIREMENTS / REFERENCES

Gas Safety (Installation and Use) Regulations, (as amended).

It is the law that all gas appliances are installed by a competent person (e.g. a CORGI registered operative) in accordance with Regulations.

Failure to install appliances correctly could lead to prosecution.

The installation of the Heater MUST also be in accordance with the current I.E.E.. Wiring Regulations, the European Building Standards, the Bye Laws of the Local Water Undertaking, any relevant requirements of the Local Authority, and Health and Safety document No 635, "Electricity at Work Regulations".

Detailed recommendations are contained in the following British Standard Codes of Practice.

Installation must be in accordance with the code requirements:

- Manufacturer's Installation Instructions
- Local Gas Fitting Regulations
- Municipal Building Codes
- EN 437: 2003 + A1 (2009) Test Gases - Test pressures appliances categories.
- EN 60335-2-102/A1 - Household and similar electric appliances - Safety - 2- 2012
- BS 6891 Specification for installation of low pressure gas pipe work.
- BS5482:1 Code of practice for domestic butane and propane gas burning installations. Building Regulations Part L1.
- NOx Class 5
- Local Electrical Regulations
- Any other statutory regulations
- EN 15502-1 : 2012 Gas fired heating boilers general requirements test.
- BS 6644 : 2011 Specifications for the installation and maintenance of gas fired hot water boilers between 70Kw - 1.8 mW, (2nd.

IMPORTANT NOTICE:

DO NOT directly connect any external control device to this appliance, unless noted in this Installation and User's Guide or recommended by the manufacturer. Any installed control device not recommended by the manufacturer could violate the Gas Safety Regulations (the installation and use), the above described regulations and the appliance warranty.

The manufacturer's notices DO NOT supersede any legal requirements.



Heater Identification Information

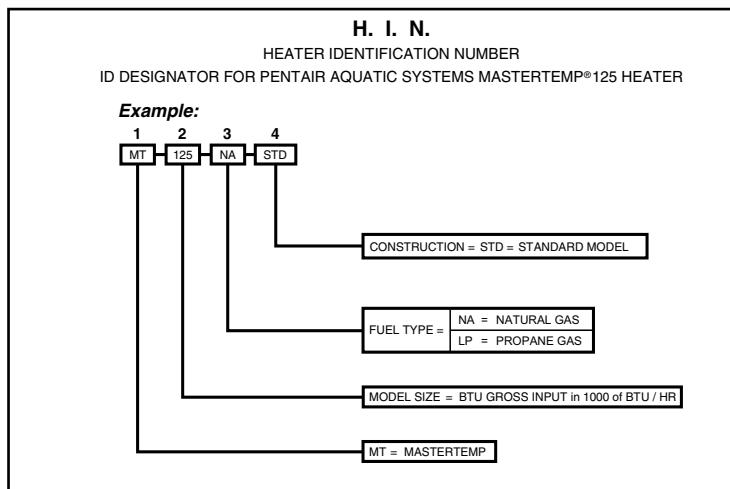
To identify the heater, see rating plate on the inner front panel of the heater. There are two designators for each heater, one is the Model Number and the other is the Heater Identification Number (HIN).

a. Heater Identification Number (HIN)

The following *example* simplifies the identification system:

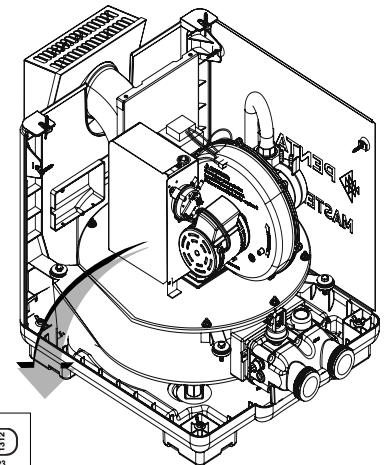
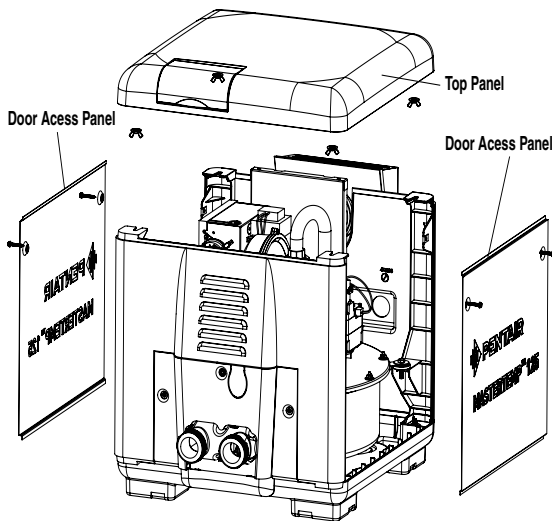
- 1) **MT:** MasterTemp® 125
- 2) **Model Size:** (125) : Input rating (Btu/hr) X 1000
- 3) **Fuel Type:** (LP = Propane gas or NA = Natural gas)
- 4) **Construction:** (STD = Standard Model)

HEATER IDENTIFICATION INFORMATION — (HIN)



Heater Data Rating Plate Location

The heater data rating plate is located on the inner front panel of the heater. To access the data rating plate, unbolt and remove the side door access panel as shown below.



PENTAIR MASTERTEMP™ POOL HEATER		
DESIGN AND MANUFACTURED BY PENTAIR WATER POOL AND SPA, INC. TYPE G23		
MODEL NO. _____	THIS HEATER IS EQUIPPED TO BURN _____ GAS	
SERIAL NO. _____	INPUT RATE _____ kW	
GAS SUPPLY PRESSURE:	ORIFICE SIZE _____ mm	
G20: _____ mbar, G25: _____ mbar	OUTPUT _____ kW	
G31: _____ mbar	ALTITUDE _____ 2000 m	
TEST POINT PRESSURE _____ mbar	MINIMUM CLEARANCE FROM COMBUSTIBLE	
MAX. WORKING PRESSURE _____ 3.45 mbar	CONSTRUCTION 15 CM REAR, 15 CM TOP, 15 CM SIDE.	
APPLIANCE CATEGORY: G23, G25, G31, G31	DO NOT INSTALL THIS HEATER UNDER AN OVERHANG	
COUNTRY OF DESTINATION: GB, SE, DE, FR	LESS THAN 1 METER FROM THE TOP. THE AREA UNDER	
YEAR OF MANUFACTURE _____	THE OVERHANG MUST BE OPEN ON THREE (3) SIDES.	
ELECTRICAL RATINGS:	REFER TO THE OPERATING INSTRUCTIONS FOR	
VOLTS: _____ V	APPROVED WATER TREATMENT.	
HERTZ: _____ Hz		
AMPS: _____ 12.8		
APPROVED FOR INDOOR AND OUTDOOR INSTALLATIONS.		
ELECTRICAL COMPLIANCE: IN ACCORDANCE WITH LOCAL ELECTRICAL CODES.		
THIS APPLIANCE MUST BE INSTALLED IN ACCORDANCE WITH THE EUROPEAN STANDARD INSTALLATION		
CODES, AND WITH THE REQUIREMENTS OF THE AUTHORITY HAVING JURISDICTION.		
Pentair Water Pool and Spa, Inc. 1620 Hawkins Ave., Sanford, NC 27330 USA Label P/N		

Warning and Safety Instructions

IMPORTANT SAFETY INSTRUCTIONS READ AND FOLLOW ALL INSTRUCTIONS SAVE THESE INSTRUCTIONS

MasterTemp™ 125 High Performance Heater

Congratulations on your purchase of a MasterTemp 125 high performance heating system. Proper installation and service of your new heating system and correct chemical maintenance of the water will ensure years of enjoyment. The MasterTemp 125 heater is a compact, lightweight, efficient, induced-draft, gas fired high performance pool and spa heater that can be directly connected to PVC pipe. The heater also comes equipped with the Pentair multifunction temperature controller which shows, at a glance, the proper functioning of the heater. All MasterTemp 125 heaters are designed with a direct ignition device, HSI (hot-surface ignition), which eliminates the need for a standing pilot. The MasterTemp 125 heater requires an external power source (240 VAC 50 Hz) to operate.

SPECIAL INSTRUCTIONS TO OWNER: Retain this manual for future reference. This instruction manual provides operating instructions, installation and service information for the MasterTemp 125 high performance heater. The information in this manual applies to all MasterTemp 125 heater models. **READ AND REVIEW THIS MANUAL COMPLETELY**, it is very important that the owner/installer read and understand the section covering installation instructions, and recognize the local and state codes before installing the MasterTemp® 125 heater. Its use will reduce service calls and chance of injury and will lengthen product life. History and experience has shown that most heater damage is caused by improper installation practices.

IMPORTANT NOTICES

For the installer and operator of the MasterTemp 125 pool and spa heater. The manufacturer's warranty may be void if, for any reason, the heater is improperly installed and/or operated. Be sure to follow the instructions set forth in this manual. If you need any more information, or if you have any questions regarding to this pool heater, please contact Pentair Aquatic Systems.

HEATER APPLICATION INFORMATION

The MasterTemp 125 pool heater is sold with a limited factory warranty. **Pentair Water Pool and Spa high standards of excellence include a policy of continuous product improvement resulting in your state-of-the-art heater. We reserve the right to make improvements which change the specifications of the heater without incurring an obligation to update the current heater equipment.**

The heater is designed for the heating of chlorine, bromine or salt system swimming pools and spas or in non-stationary installations, and should never be employed for use as space heating boilers or general purpose water heaters. The manufacturer's warranty may be void if, for any reason, the heater is improperly installed and/or operated. Be sure to follow the instructions set forth in this manual.

CAUTION

OPERATING THIS HEATER CONTINUOUSLY AT WATER TEMPERATURE BELOW 20° C (68° F). WILL CAUSE HARMFUL CONDENSATION AND WILL DAMAGE THE HEATER AND VOID THE WARRANTY. Do not use the heater to protect pools or spas from freezing if the final maintenance temperature desired is below 20° C (68° F), as this will cause condensation related problems.

CONSUMER INFORMATION AND SAFETY

THE MASTERTEMP HEATER IS CLASSIFIED AS A CLASS 5 LOW NOX BOILER.

WARNING

Should overheating occur or the gas supply fail to shut off, turn off the manual gas control valve to the heater. Do not use this heater if any part has been under water. Immediately call a qualified service technician to inspect the heater and to replace any part of control system and gas control which has been under water.

DANGER

CARBON MONOXIDE GAS IS DEADLY – Exhaust from this pool heater contains toxic levels of carbon monoxide, a dangerous, poisonous gas you cannot see or smell.

WARNING

The Consumer Product Safety Commission warns that elevated water temperature can be hazardous. See below for water temperature guidelines before setting temperature.

1. Spa or hot tub water temperatures should never exceed 40° C (104° F). A temperature of 38° C (100° F) is considered safe for a healthy adult. Special caution is suggested for young children.
2. Drinking of alcoholic beverages before or during spa or hot tub use can cause drowsiness which could lead to unconsciousness and subsequently result in drowning.
3. Pregnant women beware! Soaking in water above 39° C (102° F) can cause fetal damage during the first three months of pregnancy (resulting in the birth of a brain-damaged or deformed child). Pregnant women should stick to the 38° C (100° F) maximum rule.
4. Before entering the spa or hot tub, the user should check the water temperature with an accurate thermometer. Spa or hot tub thermostats may err in regulating water temperatures by as much as 2.2° C (4° F).
5. Persons with a medical history of heart disease, circulatory problems, diabetes or blood pressure problems should obtain their physician's advice before using spas or hot tubs.
6. Persons taking medication which induce drowsiness, such as tranquilizers, antihistamines or anticoagulants should not use spas or hot tubs.

CONSUMER INFORMATION AND SAFETY (CONTINUED)

WARNING

The Consumer Product Safety Commission warns that carbon monoxide is an “invisible killer”. Carbon monoxide is a colorless and odorless gas.


1. Carbon monoxide is produced by burning fuel, including natural gas and propane.
2. Proper installation, operation and maintenance of fuel-burning appliances in the home is the most important factor in reducing carbon monoxide poisoning.
3. Be sure that fuel burning appliances such as heaters are installed by professionals according to manufacturer’s instructions and codes.
4. Always follow the manufacturer’s directions for safe operation.
5. Have the heating system (including vents) inspected and serviced annually by a trained service technician.
6. Examine vents regularly for improper connections, visible cracks, rust or stains.
7. Install battery-operated carbon monoxide alarms. The alarms should be certified to the requirements of the most recent UL, CE, IAS, CSA and IAPMO standard for carbon monoxide alarms. Test carbon monoxide alarms regularly and replace dead batteries.

GENERAL SPECIFICATIONS

NOTICE:

- Combustion air contaminated by corrosive chemical fumes can damage the heater and will void the warranty.
- The Combination Gas Control Valve on this heater differs from most appliance gas controls. If it must be replaced, for safety reasons replace it only with an identical gas control.
- The access door panels must be in place to provide proper ventilation. Do not operate the heater for more than five (5) minutes with the access door panels removed.
- This heater is designed and certified by CERTIGAZ as complying with the Standard for Gas Fired Pool Heaters, and is intended for use in heating fresh water swimming pools or spas.
- The heater is designed for the heating of chlorine, bromine or salt system swimming pools and spas. It should **NOT** be used as a space heating boiler, or general purpose water heater. The heater requires an external **240 VAC single-phase** electric power source.
- The heater should be located in an area where leakage of the heater or connections will not result in damage to the area adjacent to the heater or to the structure. When such locations cannot be avoided, it is recommended that a suitable drain pan, adequately drained, be installed under the heater. The pan must not restrict air flow.
- The heater may not be installed within 1.5 M (5 ft.) of the inside surface of a pool or spa unless it is separated by a solid fence, wall or other permanent barrier.

WARNINGS AND SAFETY INSTRUCTIONS

The MasterTemp 125 Heater is designed and manufactured to provide many years of safe and reliable service when installed, operated and maintained according to the information in this manual. Throughout this manual, safety warnings and cautions are identified by the “” symbol. Be sure to read and comply with all of the warnings and cautions.

DANGER — CARBON MONOXIDE GAS IS DEADLY READ OWNERS MANUAL COMPLETELY BEFORE OPERATING

THIS PRODUCT MUST BE INSTALLED AND SERVICED BY A PROFESSIONAL SERVICE TECHNICIAN, QUALIFIED IN POOL HEATER INSTALLATION. Some jurisdictions require that installers be licensed. Check with your local building authority about contractor licensing requirements. Improper installation and/or operation could create carbon monoxide gas and flue gases which could cause serious injury or death. Improper installation and/or operation will void the warranty.


Exhaust from this pool heater contains toxic levels of carbon monoxide, a dangerous, poisonous gas you cannot see or smell. Symptoms of carbon monoxide exposure or poisoning include dizziness, headache, nausea, weakness, sleepiness, muscular twitching, vomiting and inability to think clearly. IF YOU EXPERIENCE ANY OF THE ABOVE SYMPTOMS, IMMEDIATELY TURN OFF THE POOL HEATER, LEAVE THE VICINITY OF THE POOL OR SPA AND GET INTO FRESH AIR IMMEDIATELY. THE POOL HEATER MUST BE THOROUGHLY TESTED BY A GAS PROFESSIONAL BEFORE RESUMING OPERATION.

EXCESSIVE CARBON MONOXIDE EXPOSURE CAN CAUSE BRAIN DAMAGE OR DEATH.

- NEVER use this pool heater indoors without specified ventilation system (and properly installed vent pipe).
- NEVER use this pool heater in the home or in partly enclosed areas (such as garages), unless the specified ventilation system is used. If used outdoors, install far from open windows, doors, vents and other openings.
- Pentair strongly recommends that all vents, pipes and exhaust systems be initially and periodically tested for proper operation. This testing can be accomplished by using a hand-held carbon monoxide meter and/or by consulting with a gas professional.
- Pool heaters must be used in conjunction with carbon monoxide detectors installed near the pool heater. The carbon monoxide detectors must be periodically inspected for proper operation so

WARNING — FOR YOUR SAFETY

This product must be installed and serviced by a professional service technician, qualified in pool heater installation. Some jurisdictions require that installers be licensed. Check with your local building authority about contractor licensing requirements. Improper installation and/or operation could create carbon monoxide gas and flue gases which could cause serious injury or death. Improper installation and/or operation will void the warranty.

 **WARNING — This heater is equipped with an unconventional gas control valve that is factory set with a manifold pressure of 1.1 ± 0.5 mbar.** Improper installation, adjustment, alteration, service or maintenance can cause property damage, personal injury or loss of life. Installation or service must be performed by a qualified installer, service agency or the gas supplier. If this control is replaced, it must be replaced with an identical control.

Do not attempt to adjust the gas flow by adjusting the regulator setting.

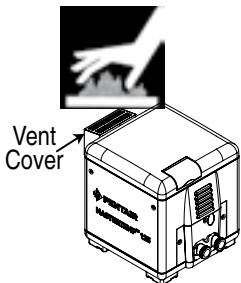
WARNINGS AND SAFETY INFORMATION (CONTINUED)

- ⚠ WARNING** — **Risk of fire or explosion from incorrect fuel use or faulty fuel conversion.** Do not try to run a heater set up for natural gas on propane gas or vice versa. Only qualified service technicians should attempt to convert heater from one fuel to the other. Do not attempt to alter the rated input or type of gas by changing the orifice. If it is necessary to convert to a different type of gas, consult your Pentair dealer. Serious malfunction of the burner can occur which may result in loss of life. Any additions, changes, or conversions required in order for the appliance to satisfactorily meet the application needs must be made by a Pentair dealer or other qualified agency using factory specified and approved parts. The heater is available for use with G20, G25 or G31 gas only. It is not designed to operate with any other fuels. Refer to the nameplate for the type of gas the heater is equipped to use.
- Use heater only with the fuel for which it is designed.
 - If a fuel conversion is necessary, refer this work to a qualified service technician or gas supplier before putting the heater into operation.

- ⚠ WARNING** — **Risk of explosion if unit is installed near propane gas storage.** Propane (LP) gas is heavier than air. Consult local codes and fire protection authorities about specific installation requirements and restrictions. Locate the heater away from propane gas storage and filling equipment as specified by the Standard for the Storage and Handling of Liquefied Petroleum Gases (latest edition).

- ⚠ WARNING** — **Risk of fire.** Do not place articles on, near or against the heater.

- ⚠ WARNING** — **Risk of burn hazard.** To reduce the risk of injury, do not touch the side heater vent cover when the heater is operating. Side heater vent covers are HOT and can burn when touched causing personal injury. Do not allow children to play on or around heater or associated equipment. **The average temperature of the heaters flue exhaust is 204 degrees Celsius (°C).**



- ⚠ WARNING** — **Risk of asphyxiation if exhaust is not correctly vented. Follow venting instructions exactly when installing heater.** Do not use a draft hood with this heater, as the exhaust is under pressure from the burner blower and a draft hood will allow exhaust fumes to blow into the room housing the heater. The heater is supplied with an integral venting system for outdoor installation.

- ⚠ CAUTION** — **Label all wires prior to disconnection when servicing controls. Wiring errors can cause improper and dangerous operation. Wiring errors can also destroy the control board.**
- Connect heater to **240 Volt, 50 Hz., Single Phase** power only.
 - Verify proper operation after servicing.
 - Do not allow children to play on or around heater or associated equipment.
 - Never allow children to use the pool or spa without adult supervision.
 - Read and follow other safety information contained in this manual prior to operating this pool heater.

Contents

Heater Identification Information (HIN)/ Code Requirements / References	ii - iii
Heater Identification Information (HIN)	iii
Warnings and Safety Instructions / Consumer Information / General Specifications	iv - viii
Operating the Control Panel.....	ix
Section 1. Operation Instructions.....	1
Operating Instructions / Basic System Operation.....	1
Heater HSI (Hot-Surface Ignition) Lighting/Operation	1
Start-up and Operation / Before You Start	1
Operating Instructions	2
To Turn Off Gas to Appliance.....	2
Safety Controls: Air Flow Switch (AFS) / Water Pressure Switch / High Limit Devices	3
Operation of Ignition Module.....	4
Temperature Setting / Adjust The Maximum Temperature Set Point	4
Section 2. Installation Instructions.....	5
Heater Description.....	5
Sequence of Operation.....	5
Putting the Heater into Service.....	6
Specifications	6
Plumbing Connections.....	7
Water Connections.....	7
Valves.....	8
Manual By-Pass	8
Below Pool Installation	8
Gas Connections / Gas Line Installation	9
Sediment Trap/Drip Leg	9
Testing Gas Leaks and Gas Pressure.....	10
Inlet Gas Pressure Requirements	10
Outdoor Installation / Heater Clearances	11 - 12
Indoor Venting— General Requirements / Heater Clearances / Outside Vent cover Removal	13
Combustion Air Supply / Corrosive Vapors and Possible Causes	14
Horizontal or Vertical Venting - Using Single-Wall Stainless Gas Vent	15
Connecting Single-Wall Stainless Steel Vent to the Heater	16 - 17
Direct Air Intake Duct with 76 mm (3 in - UK) PVC Pipe (Indoor Installation)	18
Control Panel Indexing	18
Final Installation Check	18
Electrical Connections.....	19
Fireman’s Switch Connection/Remote Control Connections.....	20
Heater Wiring Diagram / Heater Electrical Schematic Ladder Diagram.....	21 - 22
Section 3. Troubleshooting.....	23
Initial Troubleshooting and Troubleshooting Chart.....	23
Heater Will Not Fire Troubleshooting (A, B, C, D).....	24 - 27
LED Diagnostics (AGS, AFS, HLS, PS Thermistor).....	28 - 29
Burner / Heat Exchanger Troubleshooting	30
Section 4. Maintenance Instructions	31
Care and Maintenance	31
De-Limiting the Heater.....	31
Pressure Relief Valve	31
After Start-Up.....	32
Check Water Flow	32
Spring, Fall (Autumn) and Winter Operation	32
Maintaining Pool Temperature / Energy Saving Tips	33
Chemical Balance.....	33 - 34
Replacement Parts.....	35 - 39

Section 1. Installation

This product must be installed and serviced by a professional service technician, qualified in pool heater installation. THE MASTERTEMP HEATER IS INTENDED FOR INSTALLATION WITH A METERED GAS PRESSURE REGULATOR.

Pentair strongly recommends that all vents, pipes and exhaust systems be initially and periodically tested for proper operation. This testing can be accomplished by using a hand-held carbon monoxide meter and/or by consulting with a gas professional.

Pool heaters must be used in conjunction with carbon monoxide detectors installed near the pool heater. The carbon monoxide detectors must be periodically inspected for proper operation so as to insure continued safety. Broken or malfunctioning carbon monoxide detectors must be replaced immediately. If not fitted on the heater, the installer must installed any safety devices according to the European Standard Codes of Practice.

NOTICE: UPON INSTALLATION THE INSTALLER MUST INSTRUCT THE USER IN THE OPERATION AND SAFETY DEVICES AND PROVIDE A COPY OF THE HEATER'S USER'S

HEATER DESCRIPTION

Figure 10 shows a diagram of the heater and how it operates. Precisely matched orifice plates meter the air and gas into the mixer. The blower draws the air and gas through the mixer and forces it into the burner's flame holder. A sealed heat exchanger surrounds the flame holder, discharging exhaust gases out the flue.

50 mm (1.5 in - UK) PVC water piping connects directly to the manifold/header on the heat exchanger using 50 mm (1.5 in - UK) PVC slip unions provided with the heater. The outer manifold remains cool; no heat sinks are required. A thermal regulator and an internal bypass regulate the water flow through the heat exchanger to maintain the correct outlet temperature. The heater operator control panel board assembly is located on top of the heater.

SEQUENCE OF OPERATION

An electronic temperature sensing **thermistor** in the manifold adapter inlet controls the heater operation. When the inlet water temperature drops below the temperature set on the **operating control**, the **burner controller** supplies power to the combustion **air blower** through a series of **safety interlocks**. The interlocks consist of;

- the **pressure switch (PS)**, which senses that the pump is running,
- the **high limit switch (HLS)**, which opens if the heat exchanger outlet temperature goes above 55° C (131° F), and
- the **air flow switch (AFS)**, which senses the pressure drop across the air metering orifice,
- the **automatic gas shut-off (AGS) switch**, which opens if the heat exchanger outlet temperature goes above 60° C (140° F).
- the **inlet temperature control switch**, which opens if the inlet temperature goes above 45° C (110° F).
- the **stack flue sensor (SFS)**, which shuts down the heater if the flue gas temperature reaches 249° C (480° F).

The air flow switch (AFS) senses the pressure drop across the air metering orifice. As soon as there is sufficient air flow, the AFS closes, closing the circuit to the **hot surface igniter (HSI)**, which ignites the fuel mixture. On a call for heat, the blower and HSI are energized. In about 20 seconds, the gas valve opens and ignition occurs. The HSI then switches to a sensing mode and monitors the flame. The heater is equipped with a digital operating control that enables the user to pre-set the desired pool and spa water temperatures. The control enables the user to select between pool and spa heating, and features a digital display that indicates the water temperature.

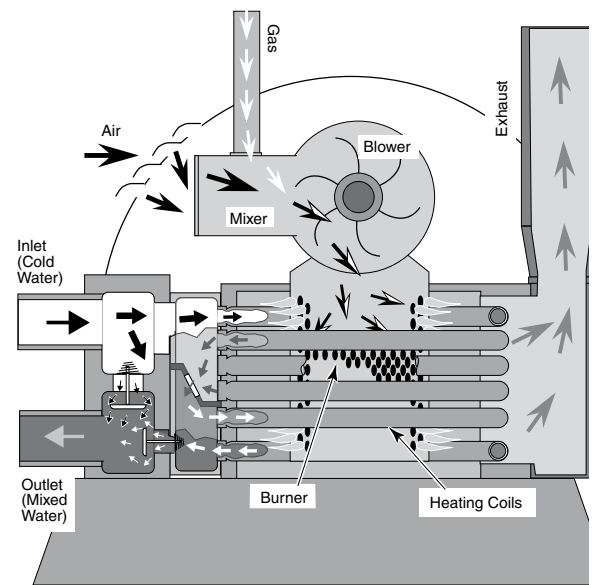


Figure 1.

PUTTING THE HEATER INTO SERVICE

If the heater is installed below the level of the pool, or more than 0.6 meters (2 feet) above pool level, the pressure switch setting should be adjusted. See “WATER PRESSURE SWITCH” in the “SAFETY CONTROLS Section” (page 27) and the “CAUTION” under “BELOW POOL INSTALLATION Section” (page 5).

Before putting the heater into service for the first time, follow the instructions under “BEFORE START-UP” (page 25). Check for proper operation of the heater by following the steps under “OPERATION INSTRUCTIONS,” (page 25).

SPECIFICATIONS (DIMENSIONS IN CENTIMETERS (INCHES))

These installation instructions are designed for use by qualified personnel only, trained especially for installation of this type of heating equipment and related components. Some states require installation and repair by licensed personnel. If this applies in your state, be sure your contractor bears the appropriate license. See Figure 2 for Outdoor and Indoor Installations.

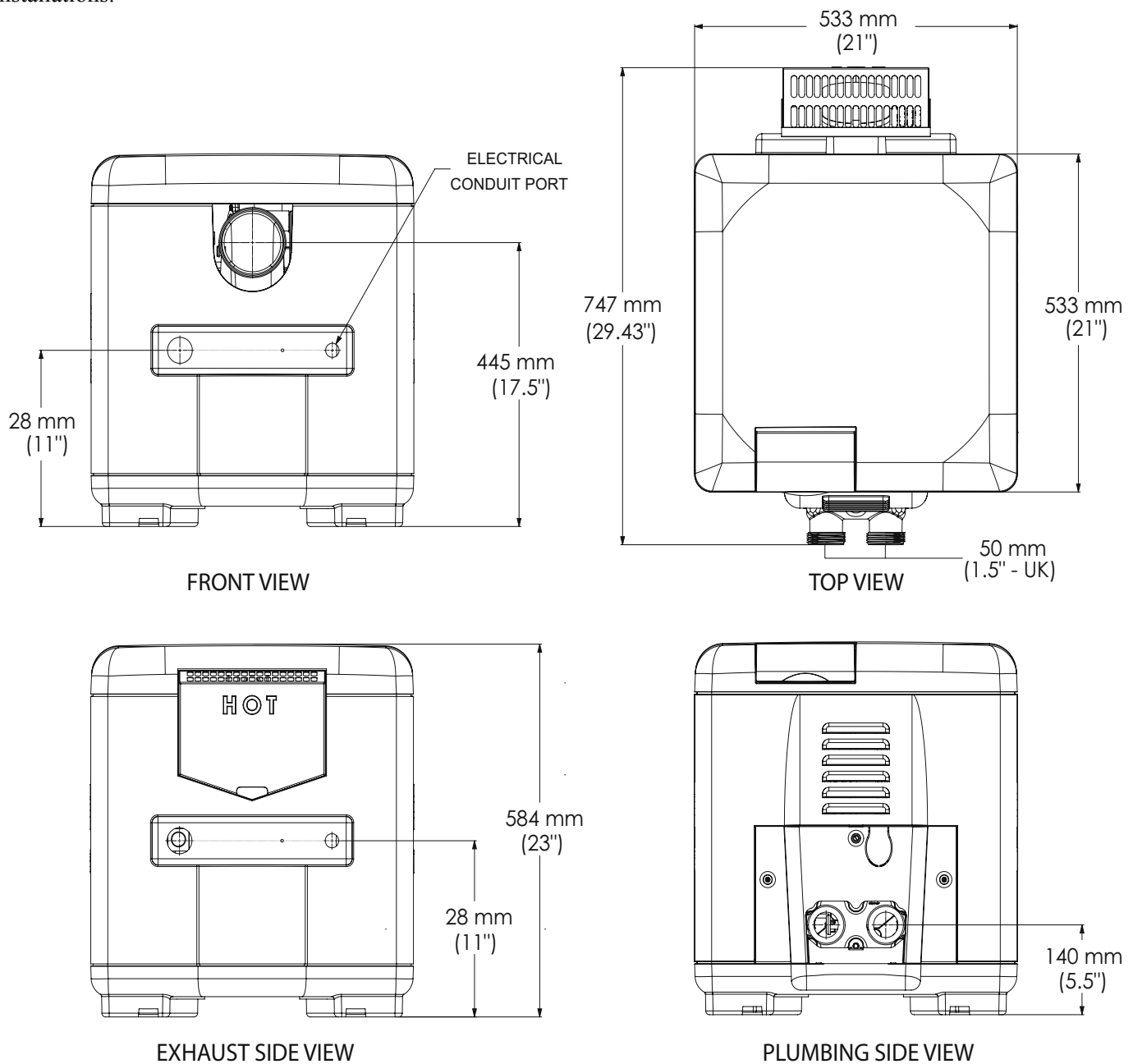


Figure 2.

PLUMBING CONNECTIONS

The MasterTemp 125 heater has the capability of direct PVC pipe plumbing connections. A set of bulkhead fittings is included with the MasterTemp 125 heater to insure conformity with Pentair's recommended PVC plumbing procedure. Other plumbing connections can be used. See Figure 3 for plumbing connections.

CAUTION

Before operating the heater on a new installation, turn on the circulation pump and bleed all the air from the filter using the air relief valve on top of the filter. Water should flow freely through the heater. Do not operate the heater unless water in the pool/spa is at the proper level. If a manual by-pass is installed, temporarily close it to insure that all air is purged from the heater.

WATER CONNECTIONS

The heater requires proper water flow and pressure for its operation. See Figure 4 for the recommended installation. The filter pump discharges to the filter, the filter discharges to the heater, and the heater discharges directly to the pool or spa.

A manual bypass valve should be installed across the heater when the pump flow exceeds 454 L/m (120 GPM). See "WATER FLOW RATE" on page 5 - Table 1 for setting of the manual by-pass valve.

Make sure that the outlet plumbing from the heater contains no shut-off valves or other flow restrictions that could prevent flow through the heater (except if the heater is below the level of the pool/spa; as noted below, or winterizing valves where needed). To switch flow between the pool and spa, use a diverter valve. Do not use any valve that can shut off the flow. Do not use a shut-off valve to isolate the heater unless it is below the level of the pool or spa.

Install the chemical feeder downstream of the heater. Install a chemical resistant one-way check valve between the heater and the chemical feeder to prevent back-siphoning through the heater when the pump is off.

NOTICE: If the heater is plumbed in backwards, it will cycle continuously. Make sure piping from filter is not reversed when installing heater.

Connect the heater directly to 50 mm (1.5 in - UK) PVC pipe, using the integral unions provided. Heat sinks are not required. The low thermal mass of the heater will prevent overheating of the piping connected to the pump even if the heater shuts down unexpectedly. Occasionally a two-speed pump will not develop enough pressure on the low speed to operate the heater. In this case, run the pump at high speed only to operate the heater. If this does not solve the problem, do not try to run the heater. Instead, correct the installation.

Do not operate the heater while an automatic pool cleaner is also operating. If the circulation pump suction is plugged (for example by leaves), there may not be adequate flow to the heater. Do not rely on the pressure switch in this case.

If European Standard Codes of Practice require the installation of a pressure relief valve (PRV), see page 39 for "PRESSURE RELIEF VALVE".

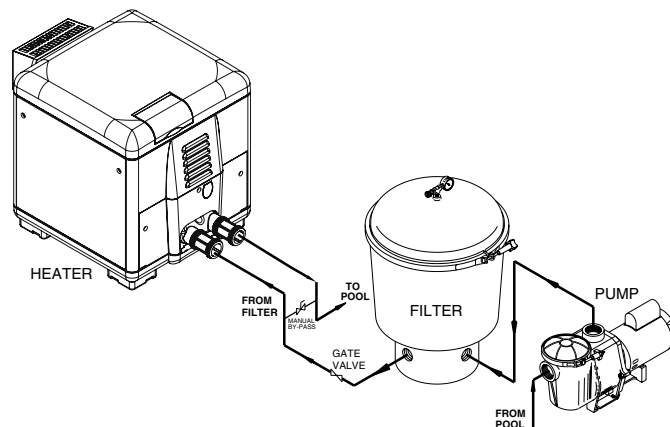


Figure 3.

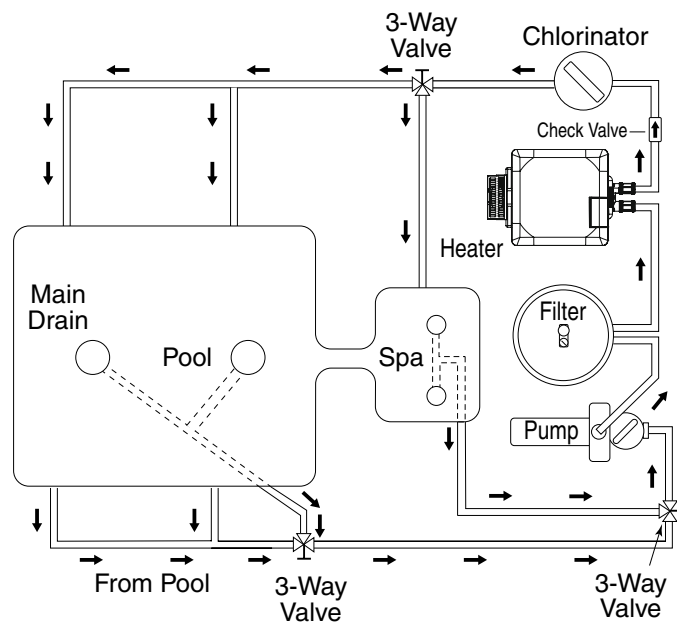


Figure 4.

MULTIPLE HEATER INSTALLATION

All plumbing on multiple heater installations must be done in parallel. See Figure 5 and Figure 6. To prevent heater overheating and to ensure heater longevity, water flow to each heater must be balanced for optimum operation. To meet recommended flow rates, be sure all installed pipes are installed in accordance with local and state codes. To allow for proper operation and service clearance, maintain spacing to adjacent heaters. Heaters installed too close to one another may encounter operational issues associated with exhaust fumes.

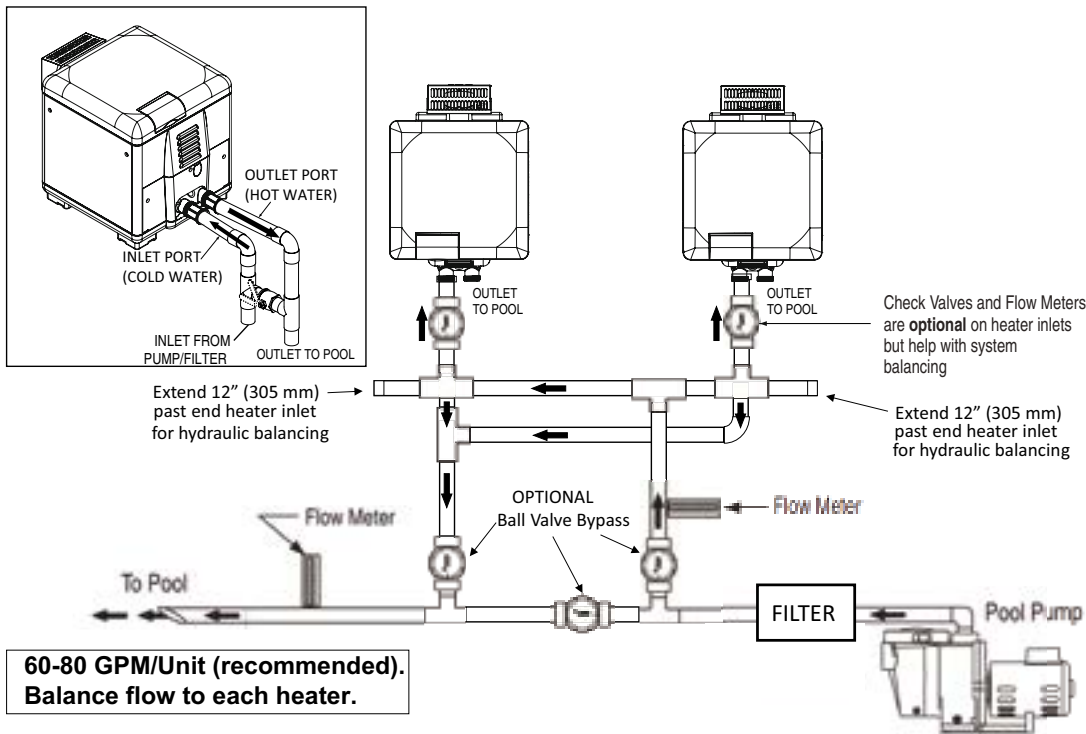


Figure 5. Two MasterTemp® 125 Heaters Plumbing Hydraulic Diagram

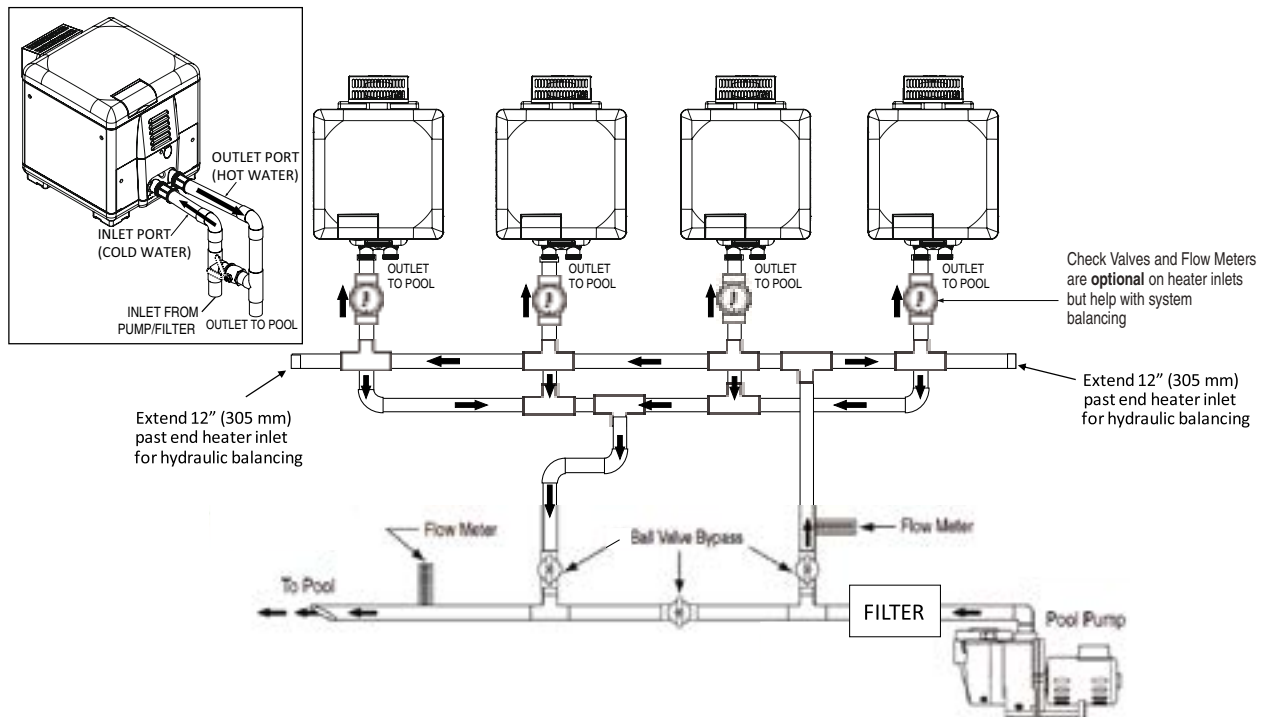


Figure 6. Four MasterTemp® 125 Heaters Plumbing Hydraulic Diagram

VALVES

When any equipment is located below the surface of the pool or spa, valves should be placed in the circulation piping system to isolate the equipment from the pool or spa. Check valves are recommended to prevent back-siphoning. Back-siphoning is most likely to occur when the pump stops, creating a pressure-suction differential. Do **NOT** sanitize the pool by putting chlorine tablets or sticks into the skimmer(s). When the pump is off, this will cause a high concentration of chlorine to enter the heater, which could cause corrosion damage to the heat exchanger.

CAUTION

Exercise care when installing chemical feeders so as to not allow back siphoning of chemical into the heater, filters or pump. When chemical feeders are installed in the circulation of the piping system, make sure the feeder outlet line is down stream of the heater, and is equipped with a positive seal noncorrosive "Check Valve", (P/N R172288), between the feeder and heater.

MANUAL BY-PASS (WATER FLOW RATE)

Where the water flow rate exceeds the maximum 454 L/m, a manual bypass should be installed and adjusted. After installing the valve, adjust the valve to bring the flow rate within the acceptable range. Then remove the valve handle or lock it in place to avoid tampering. See Figure 7.

Model	Min. L/m (GPM)	Max. L/m (GPM) *
125	76 (20)	265 (70)
* DO NOT EXCEED THE MAXIMUM RECOMMENDED FLOW RATE FOR THE CONNECTING PIPING.		

Table 1.

See page 39 for Pressure Relief Valve installation.

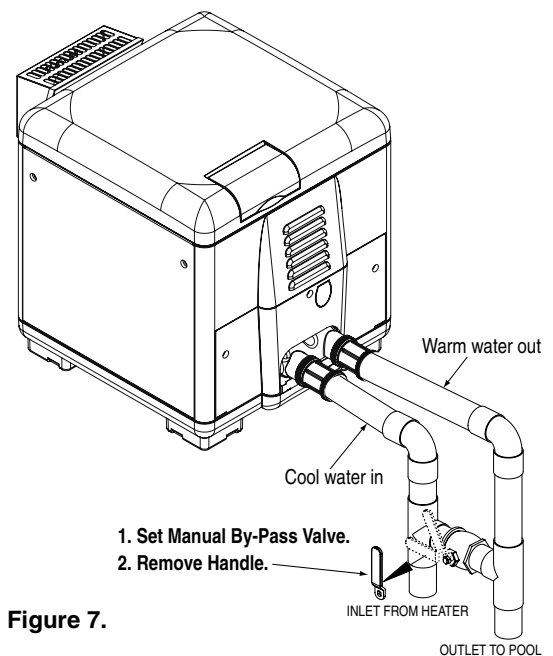


Figure 7.

BELOW POOL INSTALLATION

If the heater is below water level, the pressure switch must be adjusted. This adjustment must be done by a qualified service technician. See following **CAUTION** before installation.

CAUTION

BELOW OR ABOVE POOL INSTALLATION

The **WATER PRESSURE RELIEF VALVE SWITCH** is set in the factory at 0.20 bar (3.00 psi). This setting is for a heater installed at pool level. If the heater is to be installed more than 1' above or below, the water pressure switch must be adjusted by a qualified service technician. See page 39.

FLOW SWITCH INSTALLATION

If the heater is installed more than 1.5 m above the pool or more than 1.2 m below the pool level, which is beyond the limits of the heater's pressure switch specification. In this case, a flow switch must be installed in the heater. Locate and install the flow switch externally on the outlet piping from the heater, as close as possible to the heater. Connect the flow switch wires as used for the water pressure switch.

AUTOMATIC BY-PASS

Figure 8 shows a plumbing diagram for an automatic BY-PASS (IntelliValve®). This in conjunction with an IntelliFlo VSF pump can provide added longevity of the heater and increased cost savings of operation. A 3-Port valve with an IntelliValve actuator is installed at the heater inlet. A check valve is installed at the heater outlet so that water cannot flow back into the heater. See instructions for Automatic Bypass valve kit (P/N 462048) for setting the open and closed position of the IntelliValve.

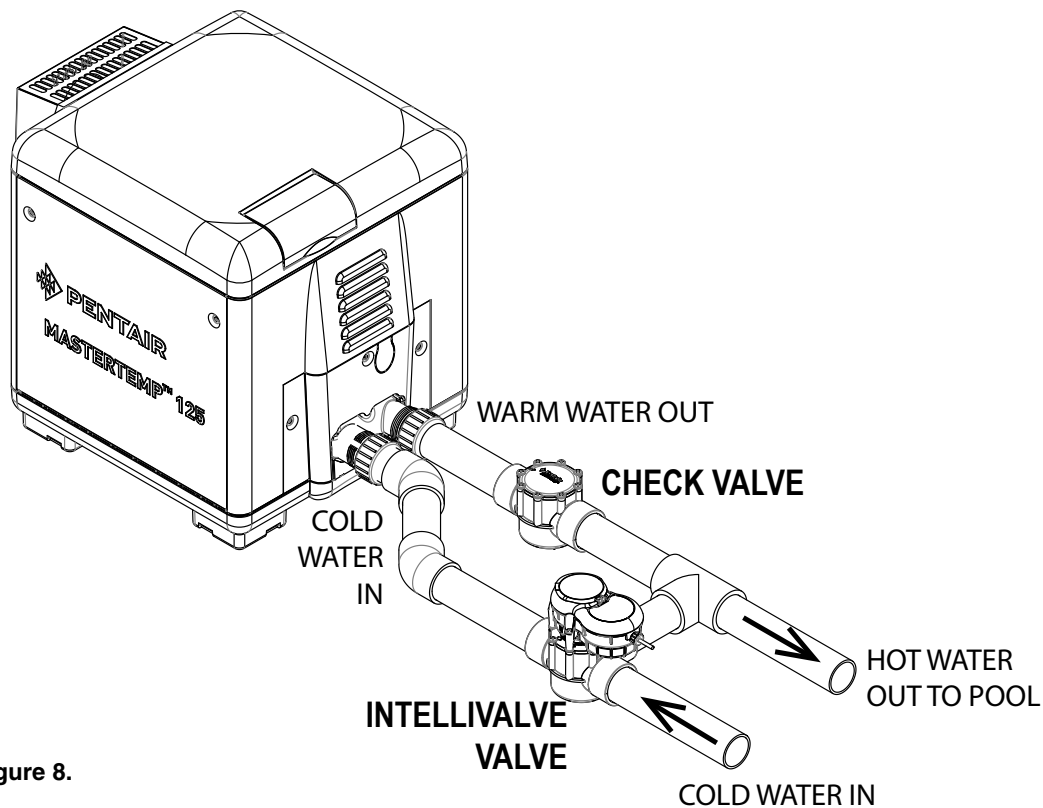


Figure 8.

GAS CONNECTIONS

GAS LINE INSTALLATIONS

The gas supply must be installed in accordance with the *European Standard Codes of Practice for gas installation* as applicable and all applicable local codes.

THE MASTERTEMP HEATER IS INTENDED FOR INSTALLATION WITH A METERED GAS PRESSURE REGULATOR.

Before installing the gas line, be sure to check which gas the heater has been designed to burn. This is important because different types of gas require different gas pipe sizes. The rating plate on the heater will indicate which gas the heater is designed to burn. Table 2 below shows the recommended gas inlet pipe sizes required for the distance from the gas meter to the heater. The table is for G20, G25 (natural gas) at a specific gravity of .65 and G31 (propane) at a specific gravity of 1.55. When sizing gas lines, calculate 0.9 additional meters of straight pipe for every elbow used. When installing the gas line, avoid getting dirt, grease or other foreign material in the pipe as this may cause damage to the gas valve, which may result in heater failure.

The gas meter should be checked to make sure that it will supply enough gas to the heater and any other appliances that may be used on the same meter. Insufficient gas supply will cause the heater to operate below its designed performance or not at all. The gas line from the meter will usually be of a larger size than the gas valve supplied with the heater. Therefore a reduction of the connecting gas pipe will be necessary. Make this reduction as close to the heater as possible. If the gas pressure is not adjusted to the correct working pressure, the heater will be over gassed and cause serious damage within minutes. This damage is not covered under the heater warranty.

Install a manual shut-off valve that conforms with European Standard Codes of Practice, and a sediment trap/drip leg and union located outside the heater panels, see Figure 9. Do not use a restrictive gas cock.

The heater and any other gas appliances must be disconnected from the gas supply piping system during any pressure testing on that system, (greater than 6.0 kPa). The heater and its gas connection must be leak tested before placing the heater in operation. **Do not use flame to test the gas line.** Use soapy water or another nonflammable method.

NOTE

A manual main shut-off valve must be installed externally to the heater.

WARNING

DO NOT INSTALL THE GAS LINE UNION INSIDE THE HEATER CABINET. THIS WILL VOID YOUR WARRANTY.

Heater Size	Distance from the Gas Meter		
	0 to 15 m	16 to 30 m	31 to 60 m
125	25 mm	32 mm	32 mm

Table 2.

SEDIMENT TRAPS (DRIP LEG)

Install a sediment trap and union located outside the heater panels in accordance with European Standard Codes of Practice. Do not use a restrictive gas cock. The sediment trap shall be either a tee fitting with a capped nipple in the bottom outlet which can be removed for cleaning, as shown in Figure 9, or an other device recognized as an effective sediment trap. All gas piping should be tested after installation in accordance with European Standard Codes of Practice.

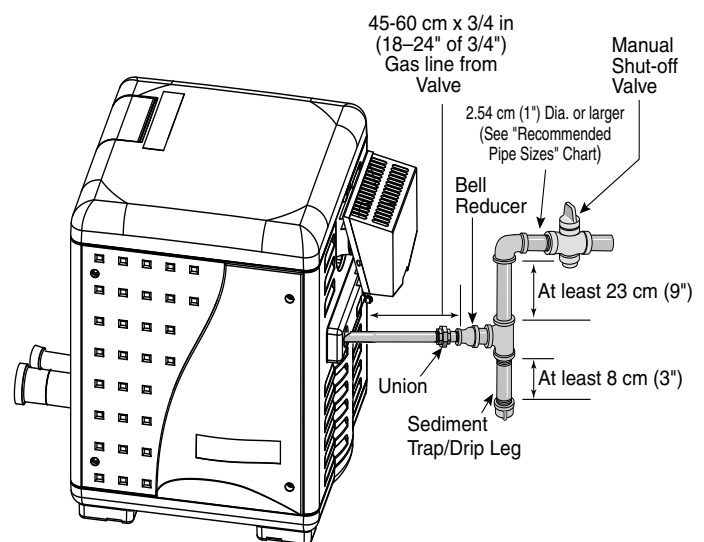


Figure 9.

TESTING GAS LEAKS AND GAS PRESSURE

THE MASTERTEMP HEATER IS INTENDED FOR INSTALLATION WITH A METERED GAS PRESSURE REGULATOR. Before operating the heater, the heater and its gas connections must be leak tested. **Do NOT use an open flame to test for leaks.** Test all gas connections for leaks with soapy water.

The gas valve must be completely disconnected from the gas supply piping system during any pressure testing of that system at test pressures in excess of 6.0 kPa (60 mbar).

TESTING THE GAS PRESSURE THROUGH THE COMBINATION GAS CONTROL VALVE

⚠ WARNING

Risk of fire and explosion. Alteration, service, or maintenance of the Combination Gas Control Valve can lead to fire or explosion, causing loss of life, personal injury, and/or property damage. **DO NOT ATTEMPT TO ADJUST THE GAS CONTROL VALVE.**

1. Shut off the gas supply to the heater.
2. Loosen the small screw inside the pressure tap as shown in Figure 10.
3. Connect the manometer hose.
4. Open the gas supply to the heater.
5. Turn on the heater.
6. Take the gas pressure reading.
7. Turn off the heater.
8. Shut off the gas supply to the heater.
9. Disconnect the manometer hose.
10. Tighten the small screw inside the pressure tap.

INLET GAS PRESSURE REQUIREMENTS

Description	Type	Gas Supply Pressure
Natural Gas	2H; 2E+; 2N; 2Es; 2Ei; 2ELL (G20/G25)	20-25 mbar
Propane Gas	3P (G31)	37 mbar

NOTE: The minimum value approved for input adjustment. Do not exceed the maximum supply pressure.

All readings must be taken while heater is operating. Any adjustments or readings made while heater is off will result in performance problems.

Table 3.

CAUTION! This appliance is equipped with an unconventional gas control valve that is factory set with a manifold pressure of 1.1 ± 0.5 mbar. Installation or service must be performed by a qualified installer, service agency, or the gas supplier. If this control valve is replaced, it must be replaced with an identical control. The combination gas valve incorporates dual shut-off valves and a negative-pressure regulator. For proper operation, the regulated pressure at the outlet manifold of the valve must be 1.1 ± 0.5 mbar below the reference pressure at the blower mixer inlet, and the gas valve 'VENT' tap must be connected to the end cap air orifice as shown in Figure 17 (page 15). **DO NOT attempt to adjust the gas input by adjusting the regulator setting. The correct gas regulator setting is required to maintain proper combustion and must NOT be altered.**

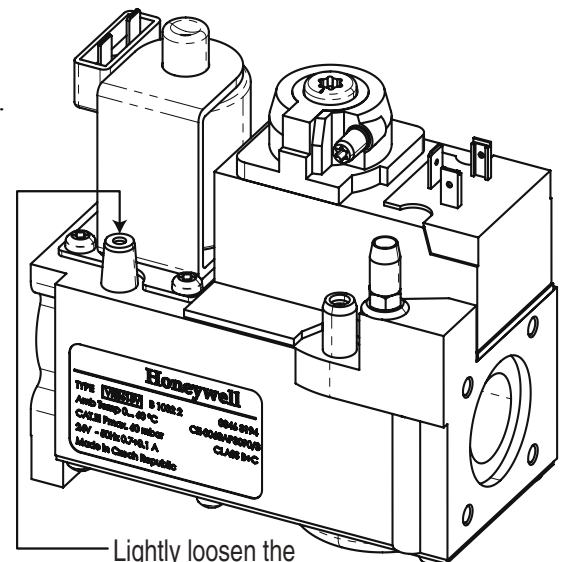


Figure 10.

OUTDOOR HEATER INSTALLATION

The following information is for heaters located outdoors, using the built-in stackless venting system.

⚠️ WARNING

CARBON MONOXIDE GAS IS DEADLY – Exhaust from this pool heater contains carbon monoxide, a dangerous, poisonous gas you cannot see or smell. Symptoms of carbon monoxide exposure or poisoning include dizziness, headache, nausea, weakness, sleepiness, muscular twitching, vomiting and inability to think clearly. IF YOU EXPERIENCE ANY OF THE ABOVE SYMPTOMS, IMMEDIATELY TURN OFF THE POOL HEATER, LEAVE THE VICINITY OF THE POOL OR SPA AND GET INTO FRESH AIR IMMEDIATELY. THE POOL HEATER MUST BE THOROUGHLY TESTED BY A GAS PROFESSIONAL BEFORE RESUMING OPERATION.

EXCESSIVE CARBON MONOXIDE EXPOSURE CAN CAUSE BRAIN DAMAGE OR DEATH.

⚠️ WARNING

Risk of explosion if a unit burning propane gas is installed in a pit or other low spot. Propane is heavier than air. Do not install the heater using propane in pits or other locations where gas might collect. Consult the European Standard Codes of Practice building code officials to determine installation requirements and specific installation restrictions of the heater relative to propane storage tanks and filling equipment. Installation must meet the requirements for the Standard for the Storage and Handling of Liquid Petroleum Gases. Consult local codes and fire protection authorities about specific installation restrictions.

Locate the heater in an open, unroofed area and on a level surface that is protected from drainage or run-off. Install the heater in an area where leaves or other debris will not collect on or around the heater.

It is recommended that a non-combustible base be a platform under the heater constructed of hollow masonry blocks, not less than 100 mm (4 in) thick (laid with ends unsealed and joints matched for air circulation). Cover blocks with 0.75 mm (0.03 in) minimum galvanized sheet metal, see Figure 11.

To avoid damage to the electronic components in the heater, take care to prevent prolonged exposure to driving sources of water (such as lawn sprinklers, heavy roof runoff, hoses, etc.). Avoid operation in persistent, extreme, moist or salty environments.

In extreme weather, shut down the heater and disconnect the power to it until the weather has moderated. In areas subject to hurricanes or very high winds, purchase the Bolt Down Bracket Kit, P/N 460738, see Figure 12.

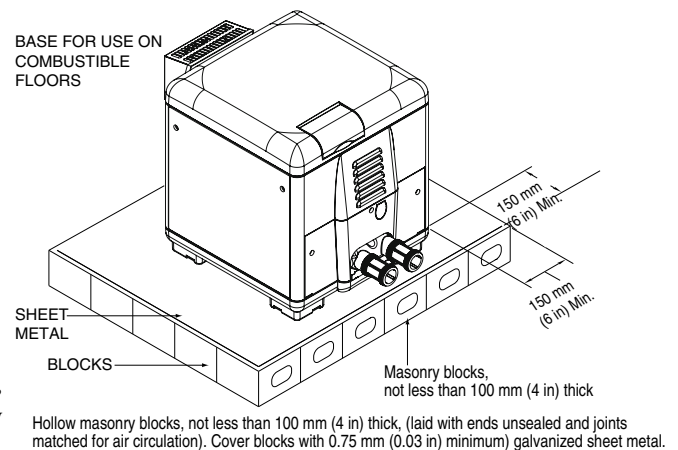


Figure 11.

For Heater mounting bolts and clamps, purchase separately Bolt Down Bracket Kit, Part No. 460738.

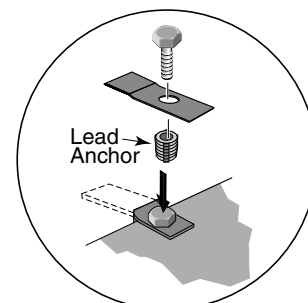


Figure 12.

HEATER CLEARANCES – OUTDOOR

IMPORTANT!

- In an outdoor installation it is important to ensure water is diverted from overhanging eaves with a proper gutter/drainage system. The heater must be set on a level foundation for proper drainage.
- This unit shall not be operated outdoors at temperatures below -29°C (-20°F).

If the heater is located under a roof overhang, there must be at least three 1 meter (3 feet) of clearance between the bottom of the overhang and the top of the heater exhaust vent, see Figure 13. If the heater is under a roof overhang, the space around the heater must be open on three sides. **DO NOT, under any circumstances, install the heater under ANY deck.**

For minimum exhaust vent clearances for all building openings, including but not limited to vented eaves, doors, windows, gravity air inlet, see Figure 14. Orient the heater for convenient access to the water connections and the gas and electrical connections.

Note: Check local building codes for installing the heater from any property.

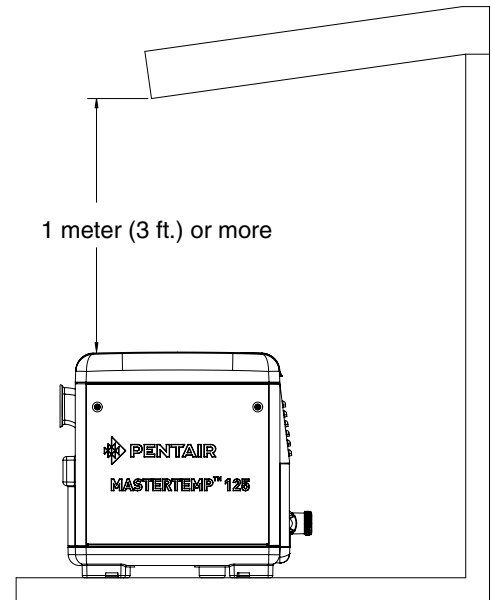


Figure 13.

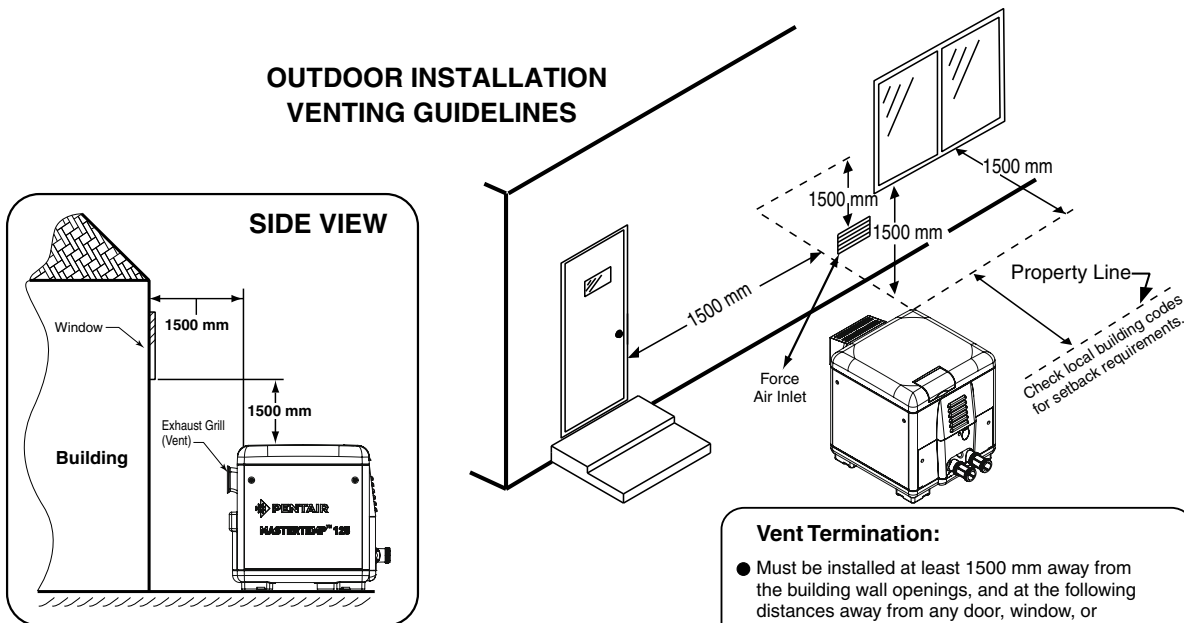
⚠️ WARNING

Risk of fire and explosion. Do not spray aerosols in the vicinity of the heater while it is in operation. Chemicals should not be stored near the heater installation. Combustion air can be contaminated by corrosive chemical fumes which can damage the heater and will void the warranty.

⚠️ CAUTION

If installing the heater next to or near an air conditioning unit or a heat pump, allow a minimum of 92 cm (36 in.) between the air conditioning unit and the heater.

OUTDOOR INSTALLATION VENTING GUIDELINES



Vent Termination:

- Must be installed at least 1500 mm away from the building wall openings, and at the following distances away from any door, window, or gravity air inlet.
- The heater must also have **no** obstructions above it.

Figure 14.

INDOOR VENTING — General Requirements

If you are considering connecting this heater to a pre-existing vent system, make sure that the vent system meets the appropriate venting requirements as given in this manual on pages 11-16. If not, replace the vent system. **DO NOT** use a draft hood with this heater. The MasterTemp heaters are capable of a 270° C (518° F) discharge rotation and with a vent gas temperature less than 204° C (400° F). The total length of the horizontal run must not exceed the length that is listed in Table 6 on page 13.

HEATER CLEARANCES — General Requirements

INDOOR INSTALLATION OR OUTDOOR SHELTER

The following clearances must be maintained from the nearest walls: (See Figure 15 and 16)

TOP..... 15 cm (6 in)

EXHAUST SIDE 15 cm (6 in)

HEADER SIDE 15 cm (6 in)

DOOR PANELS* 15 cm (6 in)

Note (*) For service access it is advisable to allow for sufficient clearance on at least one door panel. The heater is designed for installation on combustible flooring. For installation on carpeting, the heater must be mounted on a metal or wood panel that extends at least 9 cm (3 in) beyond the base of the heater. **Note: Wall sensitive to heat (for example wood), must be protected by a suitable insulation.** If the heater is installed in a closet or alcove, the entire floor shall be covered by the panel. On an outdoor shelter installation, the exhaust discharges into a vent pipe. Orient the heater so that the vent pipe does not interfere with adjustment of the operating controls. The control panel located on the top panel can be rotated to any of the three sides of the heater for easy access. However, the control panel must not be located on the side where the vent is located.

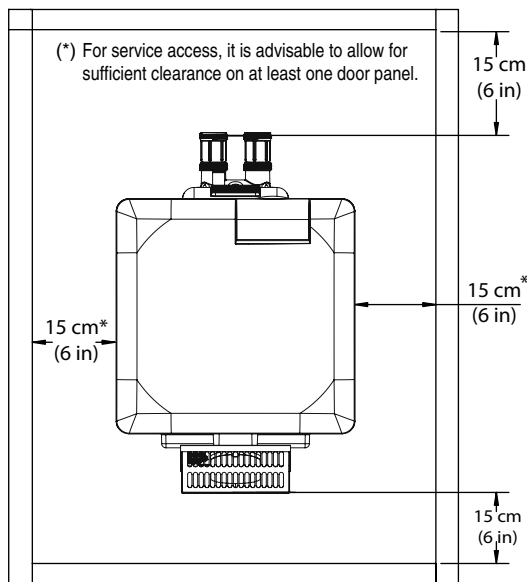


Figure 15.

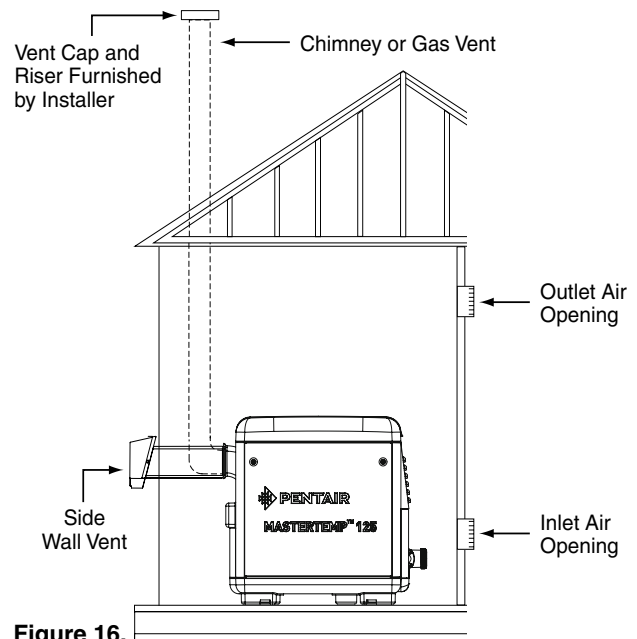


Figure 16.

OUTSIDE VENT COVER REMOVAL

The heater is supplied from the factory with a built-in stackless outside vent for outdoor installation. Remove the outside vent cover for outdoor shelter installation.

COMBUSTION AIR SUPPLY

For indoor installation, the heater location must provide sufficient air supply for proper combustion and ventilation of the surrounding area in accordance with the European Standard Codes of Practice.

The minimum requirements for the air supply specify that the room in which a heater is installed should be provided with two permanent air supply openings; one within 30 cm (12 in) of the ceiling, the other within 30 cm (12 in) of the floor for combustion air, in accordance with the current European Standard Codes of Practice as applicable, and any local codes that may apply. These openings shall directly, or through duct, connect to outdoor air. ***Pentair does not recommend indoor installations that do not provide combustion air from outside the building.***

Air Supply Requirements Guide for MasterTemp 125 Heater

Minimum Net Free Open Area for Each Opening* (Square Inches/Centimeters)				
Model	All Air From Inside Building		All Air From Outside Building	
	Combustion	Vent	Combustion	Vent
125	200 sq. in. 1290 cm ²	200 sq. in. 1290 cm ²	50 sq. in. 323 cm ²	50 sq. in. 323 cm ²

*Area indicated is for one of two openings; one at floor level and one at the ceiling.



 CAUTION
Chemicals should not be stored near the heater installation. Combustion air can be contaminated by corrosive chemical fumes which can void the warranty.

Table 4.

Corrosive Vapors and Possible Causes

Area	Likely Contaminants
Chlorinated swimming pools and spas	Pool or spa cleaning chemicals. Acids, such as hydrochloric or muriatic acid.
New construction and remodeling areas	Glues and cements, construction adhesives, paints, varnishes, and paint and varnish strippers. Waxes and cleaners containing calcium or sodium chloride.
Beauty parlors	Permanent wave solutions, bleaches, aerosol cans containing chlorocarbons or fluorocarbons.
Refrigeration plants or various industrial finishing and processing plants	Refrigerants, acids, glues and cements, construction adhesives.
Dry cleaning and laundry areas	Bleaches, detergents, or laundry soaps containing chlorine. Waxes and cleaners containing chlorine, calcium or sodium chloride.

Table 5.

 WARNING!
Fire Hazard. Do not run the heater vent into a common vent with any other appliance. Do not run the Special Gas Vent into, through, or within any active vent such as a factory built or masonry chimney.

HORIZONTAL OR VERTICAL VENTING - USING SINGLE-WALL STAINLESS GAS VENT (SEE FIGURES 17, 18, 19 ON PAGE 15 & FIGURE 20 ON PAGE 16)

Vent the heater either horizontally or vertically using an optional vent adapter of the 150 mm (6 in) or 102 mm (4 in) special gas approved **stainless steel** vent pipes. Installation must be in accordance with all local codes and ordinances/or the latest edition of the local code standards and/or local codes. The heater, when installed, must be electrically grounded and bonded in accordance with local codes. Do not use a draft hood with this heater. Install the vent according to the vent manufacturer's detailed instructions. **Note:** Keep a 150 mm (6 in) minimum clearance between the vent pipe and combustible surfaces. Follow the vent manufacturer's instructions and code requirements. Do not place any insulating materials around the vent or inside the required clear air space surrounding the vent. See Table 20 on page 16 for maximum permissible vent lengths.

CONTINUE TO NEXT PAGE.

NOTE

The allowable vent runs for each vent pipe diameter are different and can not be exceeded.

Each 90-degree elbow reduces the maximum horizontal vent run by 3.6 m (12 feet) and each 45-degree elbow in the vent run reduces the maximum vent run by 1.8 m (6 ft). See the Table 8 for the maximum vent lengths using 90° elbows. **See Table 6a. – Maximum Number of Elbows per Vent Lengths below.**

NOTE

It is recommended that vent runs over 5.4 m (18 feet) may need to be insulated to reduce condensation related problems and/or the use of a condensate trap in the vent run close to the heater may be necessary in certain installations such as cold climates. Horizontal vents 1 m (3 ft) or less in length do not require a condensate tee.

Note: The MasterTemp heater is suitable for through-the-wall venting.

150 mm (6 in.) or 102 mm (4 in.) Special Gas Vent (Vertical or Horizontal)*

Table 6.

No. of 90° Elbows Maximum Length in Feet (M)

0 11.6 m (38 ft.)

1 8 m (26 ft.)

*Minimum vent length is 1 m (3 ft.) or in accordance with vent manufacturer's instruction, and local and national codes. Horizontal vents 1 m (3 ft) or less in length do not require a condensate tee, but must slope down toward the outlet at 2 cm (1 in) to the meter (1/4 in / ft.) to allow condensate to drain.

Flue gases may escape into the dwelling with any cracks or loose joints in the vent pipe, or improper vent installation.

The vent pipe must be of a sealed-seam construction and for operating temperatures less than 204° C (400°F). Vent pipe construction will be according to local code standards, approved non-corrosive material, such as stainless steel. A condensate trap may be needed. The use of "Approved" thimbles, roof jacks and/or side vent terminals are required; and the proper clearances to combustible materials must be maintained in accordance with type of vent pipe employed—in the absence of a clearance recommendation by the vent pipe manufacturer, the requirements of the Uniform Mechanical Code should be met. *See page 17 for ventilation air requirements for the MasterTemp heater.*

IMPORTANT NOTE: AFTER THE HEATER INSTALLATION, THE INSTALLER MUST CHECK FOR CORRECT AND SAFE OPERATION OF THE HEATER.

Table 6a. – Maximum Number of Elbows per Vent Lengths

Maximum Number of Elbows per Vent Lengths			
Maximum Elbows Allowed	[C] Total Vent Length (C=A+B)	[A] Horizontal Maximum Vent Length	[B] Vertical Vent Length
3	2m (6.6 ft.)	0.67m (2.2 ft.)	1.33m (4.4 ft.)
	3m (9.8 ft.)	1m (3.3 ft.)	2m (6.6 ft.)
	4m (13.1 ft.)	1.33m (4.4 ft.)	2.67m (8.8 ft.)
	5m (16.4 ft.)	1.67m (5.5 ft.)	3.33m (10.9 ft.)
	6m (19.7 ft.)	2m (6.6 ft.)	4m (13.1 ft.)
2	7m (23 ft.)	2.33m (7.6 ft.)	4.67m (15.3 ft.)
	8m (26.2 ft.)	2.67m (8.8 ft.)	5.33m (17.5 ft.)
	9m (29.5 ft.)	3m (9.8 ft.)	6m (19.7 ft.)
	10m (32.8 ft.)	3.33m (10.9 ft.)	6.67m (21.9 ft.)
	11m (36.1 ft.)	3.67m (12 ft.)	7.33m (24 ft.)
	12m (39.4 ft.)	4m (13.1 ft.)	8m (26.2 ft.)
	13m (42.6 ft.)	4.33m (14.2 ft.)	8.67m (28.4 ft.)
	14m (45.9 ft.)	4.67m (15.3 ft.)	9.33m (30.6 ft.)
1	15m (49.2 ft.)	5m (16.4 ft.)	10m (32.8 ft.)
	16m (52.5 ft.)	5.33m (17.5 ft.)	10.67m (35 ft.)
	17m (55.8 ft.)	5.67m (18.6 ft.)	11.33m (37.2 ft.)
	18m (59 ft.)	6m (19.7 ft.)	12m (39.4 ft.)
	19m (62.3 ft.)	6.33m (20.8 ft.)	12.67m (41.6 ft.)
	20m (65.6 ft.)	6.67m (21.9 ft.)	13.33m (43.7 ft.)
	21m (68.9 ft.)	7m (23 ft.)	14m (45.9 ft.)
	22m (72.2 ft.)	7.33m (24 ft.)	14.67m (48.1 ft.)

(*) The maximum horizontal component of the flue length is 1/3 of the total length.

CONNECTING SINGLE-WALL STAINLESS STEEL VENT TO THE HEATER

Metallic:

1. Order an optional appliance adapter kit, (*Pentair offers optional appliance adapter kits, call Customer Service*):
 - Part No. 77707-0086 for Saf-T Vent or Saf-T Vent CI. - Part No. 77707-0087 for Z-Vent. (UK only). To order this optional adapter kit, please contact Pentair sales at Industriepark, Wolfstee, Toekomstlaan 30, 2200 Herentals - Belgium.
2. Remove the outside vent cover.
3. Install the Appliance Adapter in the Vent Body of the heater (located under the outside Vent Cover). Before connecting the Appliance Adapter to the Vent Body, wet a clean cloth or paper towel with isopropyl alcohol (rubbing alcohol) and vigorously wipe the socket of the Vent Body. Immediately wipe the cleaned surfaces dry with a clean cloth or paper towel. Repeat for the exterior of the heater end of the Appliance Adapter. Attach the appliance adapter to the

WARNING

Risk of carbon monoxide poisoning if adapter is improperly attached. Mechanical connections (such as screws) can cause cracking and leaks in the adapter. Do **NOT** drill holes or use screws to connect the appliance adapter to the heater vent body. Attach with manufacturer's specified adhesive.

WARNING

Risk of fire or asphyxiation if vent is not assembled according to manufacturer's instructions or if vent parts from different manufacturers are mixed. Vent parts from different manufacturers ARE NOT interchangeable. Mixing parts from more than one manufacturer may cause leaks or damage to vent. When installing a vent, pick one manufacturer and be sure that all vent parts come from that manufacturer and are specified by the manufacturer for your system. Follow manufacturer's instructions and local code requirements carefully during assembly and installation.

4. Install vent pipe so that it can expand and contract freely as the temperature changes. Support the vent pipe according to applicable codes and vent manufacturer's instructions. Pipe support must allow the vent pipe free movement out and back, from side to side, or up and down as necessary, without putting a strain on the heater or vent body. It is recommended to slope the horizontal pipe down to condensate trap at least 2 cm/m (1/4 in per foot). Install "Approved" condensate drains at low points where condensate might collect. Plumb condensate drains to a drain through hard piping or high-temperature tubing such as silicone rubber or EPDM rubber – do not use vinyl or other low temperature tubing. Follow drain manufacturer's installation instructions.
5. Use an "Approved" firestop for floor and ceiling penetrations. Use an "Approved" thimble for wall penetrations. Use an "Approved" roof flashing, roof jack, or roof thimble for all roof penetrations. Do not fill the space around the vent (that is, the clear air space in the thimble or firestop) with insulation. The roof opening must be located so that the vent is vertical.
6. **Vent Termination – Vertical** (see Figures 17, 18, 19 on page 15 & Figure 20 on page 16) for height of vent termination above the roof. Use an "Approved" vent terminal specified by local and national codes and your manufacturer's instructions. A roof termination must be vertical.
7. Make sure entire installation is sealed according to approved standard.
8. **Vent Termination – Horizontal (Continued)** The terminal must be located (See Figure 20 on page 16):
 - at least 76 mm (3 in) and at most 304 mm (12 in) out from the wall (see Figure 24), following the vent manufacturer's instructions
 - at least 304 mm (12 in) above finished grade or the normally expected snow accumulation level, whichever is higher
 - at least 1.2 M (4 ft) below or horizontally from, or 0.3 M (1 ft) above, any doors or windows or gravity air inlet to a building
 - at least 0.9 M (3 ft) above any forced air inlet located within 3 M (10 ft)
 - at least 1.2 M (4 ft) horizontally from electric meters, gas meters, regulators and relief equipment
 - at least 2.1M (7 ft) above grade adjacent to walkways or similar traffic areas

Allow at least 1 M (3 ft) vertical clearance over vent termination when terminating under an overhang or deck.
Avoid corners or alcoves where snow or wind could have an effect. Exhaust may affect shrubbery and some building materials. Keep shrubbery away from termination. To prevent staining or deterioration, sealing or shielding exposed surfaces may be required.

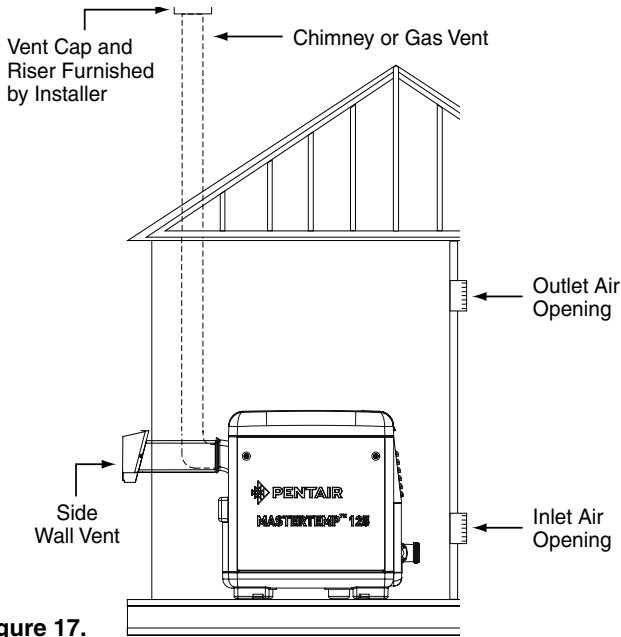


Figure 17.

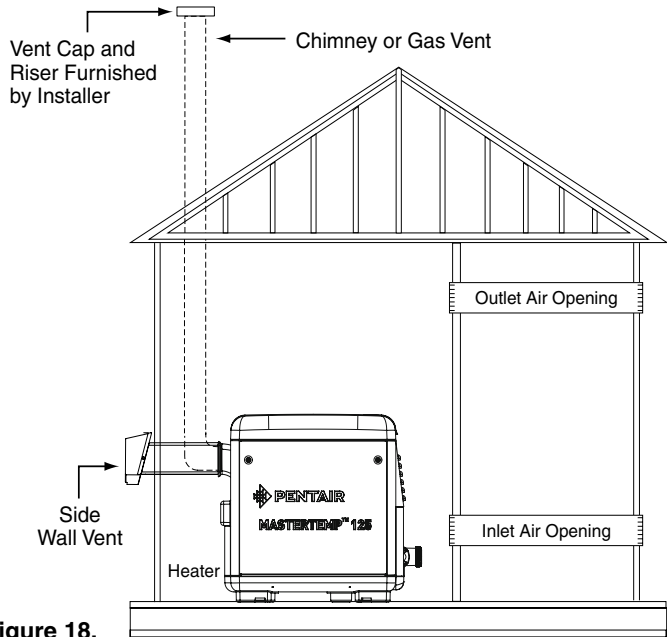


Figure 18.

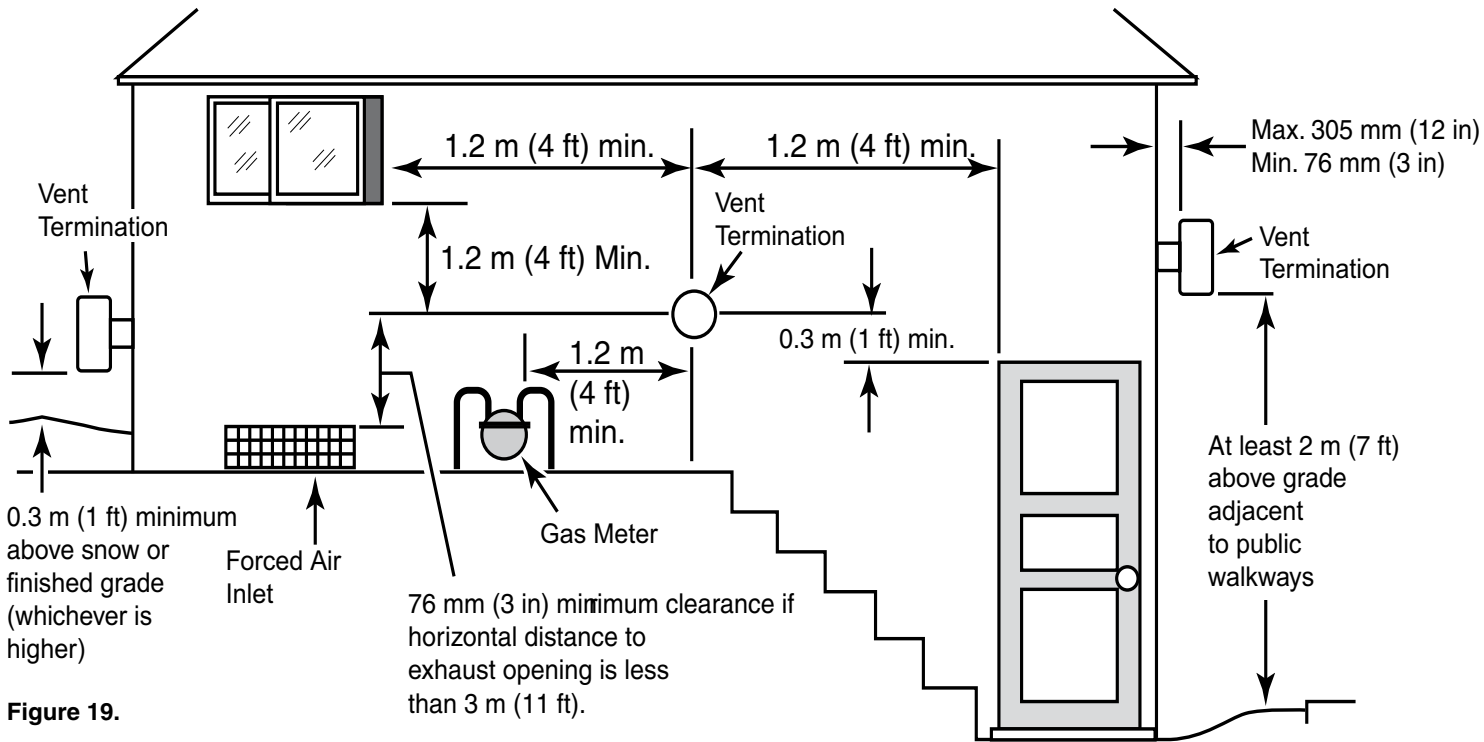


Figure 19.

Vent Termination – Horizontal (Continued)

WARNING

Fire Hazard. Do not run the heater vent into a common vent with any other appliance. Do not run the Special Gas Vent into, through, or within any active vent such as a factory built or masonry chimney.

NOTE: After installation, installer must check for correct and safe operation of the heater.

Direct Air Intake Duct with 76 mm (3 in - UK) PVC Pipe (Indoor Installation)

For indoor heater installations where combustion air supply might be insufficient, the MasterTemp 125 Heater is certified for a direct air intake duct using 76 mm (3 in - UK) PVC pipe (Pentair P/N 461031). If outside air is drawn through PVC duct directly into the heater, PVC pipe can be installed in accordance with the following requirements: The air intake opening **MUST** be installed at least 30.5 cm (12 in) above the roof line or normal snow levels for free air flow. The Category I or III exhaust vent termination cap must have at least 1.8 m (6 ft.) minimum vertical clearance from air intake duct (see Figure 20 below).

Combustion PVC Air Intake 3 in. Pipe (Vertical or Horizontal)	
No. of 90° Elbows	Maximum Length in M (ft)
0	(21.3 M) 70 ft.
1	(17.7 M) 58 ft.
2	(14.0 M) 46 ft.
3	(10.4 M) 34 ft.
4	(6.7 M) 22 ft.

NOTE:
Each 90-degree elbow reduces the maximum horizontal PVC air intake duct run by 3.6 m (12 ft.) and each 45-degree elbow in the PVC air intake duct run reduces the maximum run by 1.8 m (6 ft.). See the Table above for the maximum lengths using 90-degree

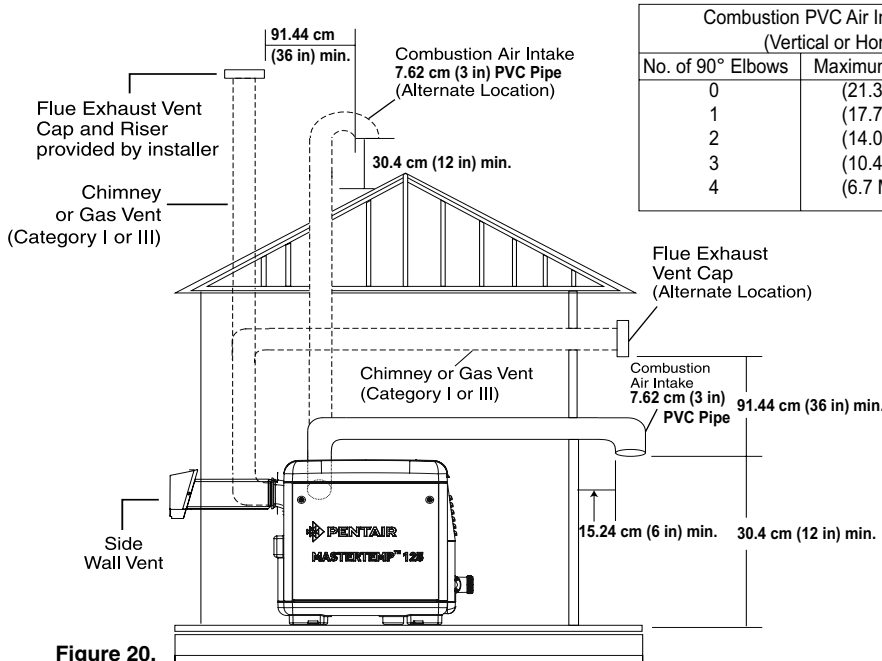


Figure 20.

WARNING!
DO NOT USE PVC PIPE FOR FLUE EXHAUST VENT. FLUE EXHAUST VENT TEMPERATURES CAN BE IN EXCESS OF 204° C. FLUE EXHAUST VENT MUST BE CATEGORY I or CATEGORY III METAL VENT.

CONTROL PANEL POSITIONING

On an outdoor shelter installation, the exhaust discharges into a vent pipe. Orient the heater so that the vent pipe does not interfere with adjustment of the operating controls. The control panel located on the top panel can be rotated to any of the three sides of the heater for easy access, see Figure 21.

1. Remove the bolts from the door panels. Remove both door access panels.
2. Remove the four corner nuts that secure the top panel. Lift the top panel upward to remove the top panel.
3. Rotate the top panel to the desired position located at 90° angles. *Note that the control panel must NOT be located on the side where the vent is located.*
4. Replace the top panel down onto the side panels. Be sure that there are no wires caught under the panel.
5. Secure the top panel using the four corner nuts.
6. Reattach the door access panels.

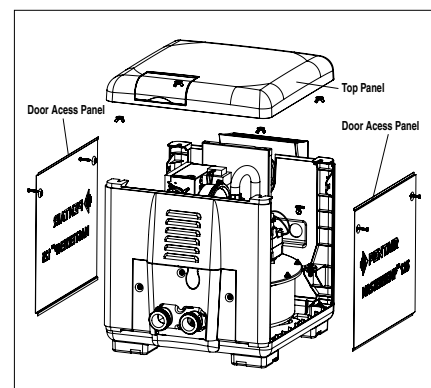


Figure 21.

For Heater mounting bolts and clamps, purchase separately Bolt Down Bracket Kit, Part No. 460738.

FINAL INSTALLATION CHECK

After installation, the installer **MUST** test and check that the heater is operating and functioning properly. Some building codes require that the heater be anchored to the equipment pad or platform to withstand high wind pressures created during hurricanes. A Bolt Down Bracket Kit, P/N 460738, is available with anchor clamps designed to hold the unit to the equipment pad in high wind conditions, see Figure 22. Installation of the anchor clamps are recommended in all installations.

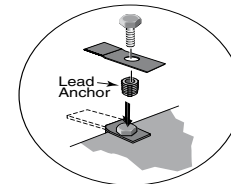


Figure 22.

ELECTRICAL CONNECTIONS

Electrical Rating: 50 Hz 240 Volts AC, single phase: Enclose the incoming AC power line to the heater in an approved flexible conduit connected directly to the junction box on the inside of the access door panel. Line voltage field wiring should be 14 gauge, with a circuit capacity of 15 Amps. *Note: The heater operating AMP draw is about 2.5 AMPS at 240 VAC. A 15 AMP circuit capacity is required for the inrush current at startup.*

CAUTION

This heater is designed to operate at 240 VAC. It is not recommended to be connected to OR operate on a 208 VAC.



NOTE: Before making any electrical connections to the power supply, remove the access door panels, open the control box and check the correct plug (240 volt) is installed.

NOTE: If any of the original wiring supplied with this heater must be replaced, installer must supply (1.16 mm, 600V, 105° C. IEC approved low energy stranded) copper wire or it's equivalent.

CAUTION

The heater ships from the Factory with the 240V plug installed. Installing the 120V plug and then connecting the heater to 240V line current will immediately destroy the transformer, control board and ignition control module, and will void warranty. If you install the 240V plug and connect the heater to 120 volts line current, the heater will not operate.

Please read the boxes headed “**IMPORTANT! READ ME FIRST!**” on page 23 and 27 before proceeding.

1. All wiring must be in accordance with all applicable codes.
2. The heater, when installed, must be electrically grounded and bonded in accordance with local codes or, in the absence of local codes, with the current European Standard Codes of Practice. A bonding lug is provided on the outside of the panel under the vent for this purpose. See page 19 for BONDING instructions.
3. Electrical power circuits to the pool heater must follow European Standard codes of Practice.
4. All wiring between the heater and devices not attached to it, or between separate devices which are installed in the field, must be “Type T” wire rated for 35°C rise.
5. All line voltage wiring shall be enclosed in approved flexible conduit, and shall be securely attached to the field wiring box located inside the access door panel. The conduit or cable connector at the field wiring box should contain an insulating bushing or its equivalent to prevent abrasion of the wires as they enter the box.
6. **The filter pump should run continuously when the heater is on, and for at least 15 minutes after the heater turns off.** Any switches in the pump circuit (including circuit breakers) that can disconnect the pump must also disconnect the heater.
7. Do not wire single-pole switches, including protective devices, into a grounded line. The heater is not sensitive to polarity.

Connect the **L1** of the power supply to the **black** wire, the **L2** or neutral lead to the **red** wire, and the **ground** wire to the **green** wire. A time clock controlling the filter pump should have a low-voltage Fireman’s Switch that switches off the heater at least 15 minutes before shutting off the pump.

Always use crimp type connectors when connecting two wires.

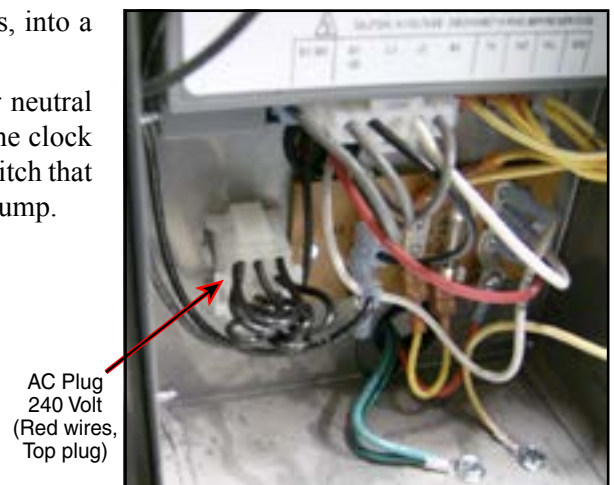


Figure 23.

USE THE PROVIDED WATERPROOF WIRE NUTS WHEN CONNECTING THE POWER SUPPLY.

A time clock controlling the filter pump should have a low-voltage Fireman’s Switch that switches off the heater at least 15 minutes before shutting off the pump.

1. - Remove the factory installed jumper from the Fireman’s Switch terminals.
 - Connect wires between the Fireman’s Switch terminals on the heater and the relay. Connect wires from the controller or timer to the Fireman’s Switch. Controller, timer or relay should be sized to handle 24VAC at 0.5 Amp (because it will be completing the 24VAC control board circuit on the heater as shown in Figure 31 (page 23). DO NOT apply line voltage to the Fireman’s Switch terminals. Use 18 gauge wire with a minimum 1.2 mm (3/64 in.) thick insulation rated for a temperature rise of at least 105° C.
 - Knock-outs are provided to route the wires through the bottom of the control box and past the junction box.
2. **To connect a 3-Wire Control:**
 - Connect wires between the control board terminals on the heater and the external relays, as shown in Figure 31, on page 23. Use at least 2 relays per heater, to allow for an “OFF setting” on each heater mode. Select relays that can handle logic level switching. DO NOT apply line voltage to control board terminals.
 - Move jumper (as show in Figure 25) to enable external control and to disable the heater membrane pad’s “Pool POOL/SPA buttons (the HEATER (ON/OFF button control panel remains functional).

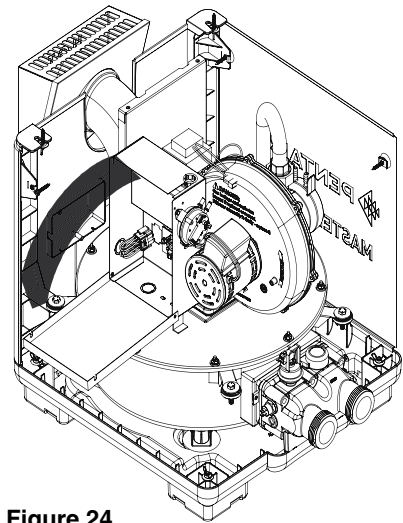


Figure 24.

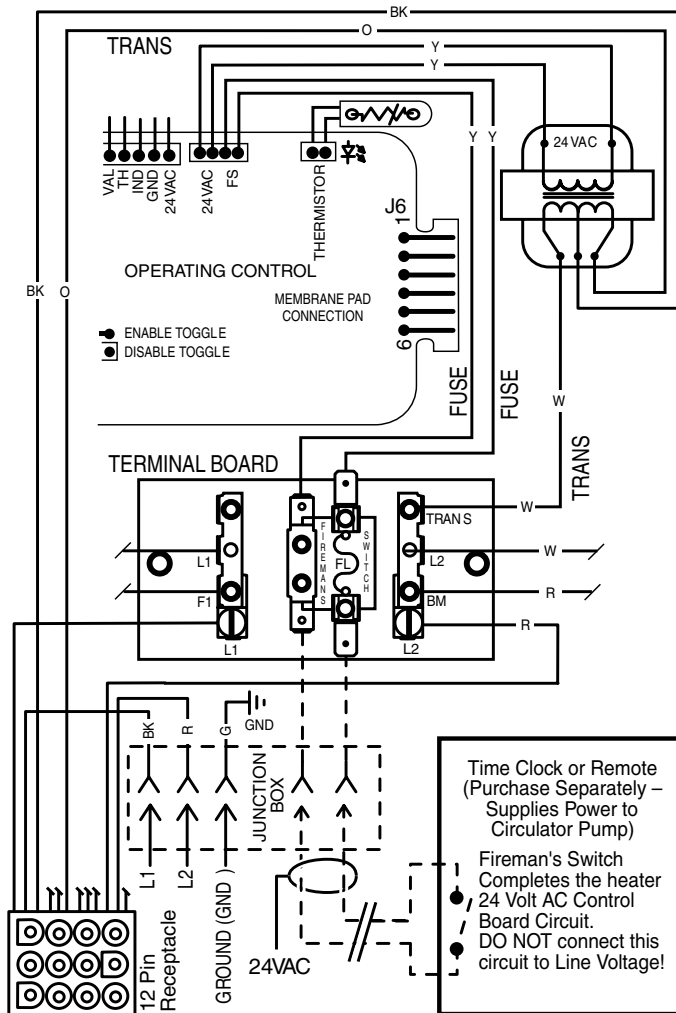


Figure 25.

HEATER BONDING

⚠ WARNING

A bonding lug is provided on the heater located on the upper side of the base by the plumbing side (see Figure 28). The heater along with the pool system equipment must be bonded together. Using solid copper conductor not smaller than 8 AWG to reduce voltage gradients in the pool area.

Not properly bonding and grounding the heater increases the risk of electrical shock. Damage to the heat exchanger can occur from electrolysis when the heater is not bonded properly.

All wiring must be in accordance with all applicable codes.

The heater, when installed, must be electrically grounded and bonded in accordance with local codes or, in the absence of local codes, with the National Electrical Code or the Canadian Electrical Code (as applicable).

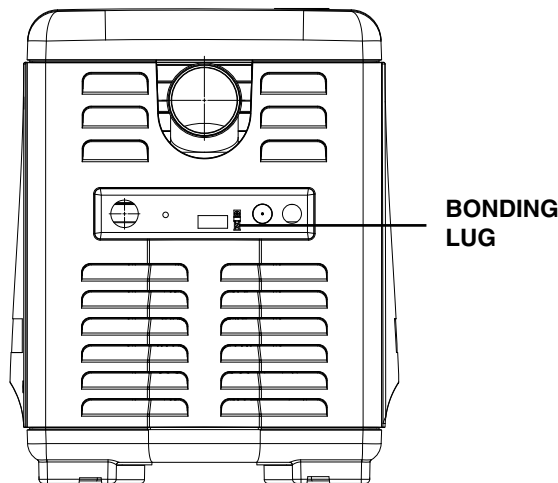


Figure 26. MasterTemp Heater (Exhaust Side)

Connecting the MasterTemp Heater to the IntelliCenter™ Control System Load Center via RS-485

For remote control and monitoring, the MasterTemp heater can be connected via the heater's RS-485 COM port to the IntelliCenter Control System COM port. The heater can be wired to the IntelliCenter Control System via a RS-485 connection. Up to 16 heaters can be connected. The default address of a heater is 1. If additional heaters are connected, each heater must have its own address. The address range is 1 to 16. The address for each heater is set from the heater's front LCD panel menus.

When a heater is being controlled via the RS-485 interface: • The heater front panel buttons are inactive. Press a panel button to turn on the LCD display. "RS485 Control" is displayed. • Heater Alarms/Errors are displayed on IntelliCenter's control panel(s) Status Home screen.

Accessing the MasterTemp Heater RS-485 COM Port

To access the MasterTemp heater control panel RS-485 COM port terminal, the RS-485 cable must be routed through the hole in the heater's side panel.

To route the RS-485 cable through the heater's panel to the control panel circuit board:

1. Remove the four corner wing nuts that secure the top panel. Lift the top panel upward to remove the top panel. Note: If needed, remove the wires from the control board if the top is removed completely. See Figure 27.
2. Locate the small hole in the exhaust panel, for the RS-485 cable. Use an appropriate size drill bit for the flexible conduit or strain relief to be used in the exhaust panel to drill a hole for the RS-485 wires. See Figure 28.
3. Install a flexible conduit or a strain relief and securely attach to the heater panel. Note: The conduit or cable connector should contain an insulating bushing or its equivalent to prevent abrasion of the RS 485 wires as it enters the exhaust panel.
4. Strip back the outer jacket four inches of the cable. Strip back each conductor a ¼-inch.
5. Insert the RS-485 cable (from the Load Center or Power Center) through the flexible conduit or a strain relief into the exhaust panel hole and securely attach to the heater panel.
6. Once the cable is inside the heater, route the RS-485 wires under exhaust. Note: Do not let the wires contact the exhaust.
7. Using cable ties, secure to the RS-485 cable to the main wire harness that connects to heater's control panel circuit board.
8. Insert the three RS-485 wires (Pin 1-BLK, 2-GRN, 3-YEL) into the screw terminal. Secure the conductors with the screws. For wiring details, refer to the pin configuration on next page.
9. Heater Control Panel COM Port (J4): Insert the RS-485 connector onto the heater's control panel RS-485 COM Port screw terminal. Note Pin 1 is located on the right side of the terminal connector (right side edge from the back of the circuit board).
10. Replace the top panel onto the heater side panels. Be sure that there are no wires caught under the panel. Secure the top panel using the four corner wing nuts.
11. Continue with "Connecting the RS-485 Cable from the Heater to the Load Center" on next page.

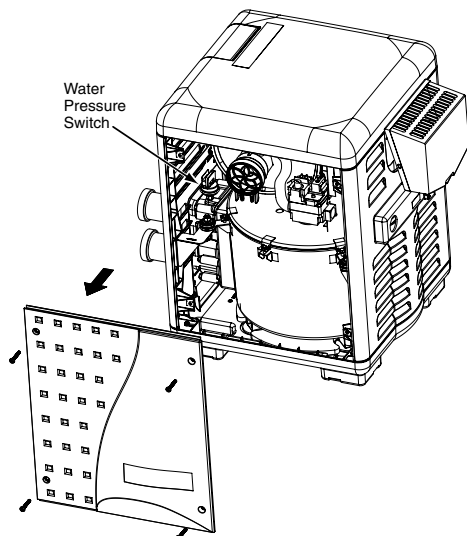


Figure 27.

Drill an appropriate size hole for the flexible conduit or strain relief to be used for a flexible conduit or strain relief to secure the RS-485 wires

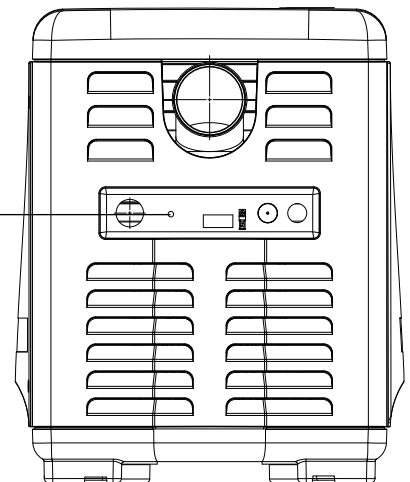


Figure 28

MasterTemp Heater (Exhaust Side)

Connecting the RS-485 Cable from the Heater to the Load Center

To connect the MasterTemp heater to the load center:



BEFORE REMOVING THE HIGH VOLTAGE COVER PANEL FROM THE LOAD CENTER OR POWER CENTER ENCLOSURE SWITCH OFF THE POWER AT THE HOUSE MAIN CIRCUIT BREAKER BOX.

1. Switch OFF AC power to the enclosure at the main house panel circuit breaker.
2. Unlatch the front door latch and open the front door. Remove the two retaining screws from the High Voltage Cover Panel and remove the panel. See Figure 33.
3. Loosen the two retaining screws securing from the top edge of the Outdoor Control Panel. Fold down the Outdoor Control Panel to access the circuit board sockets connectors for the electrical connections.

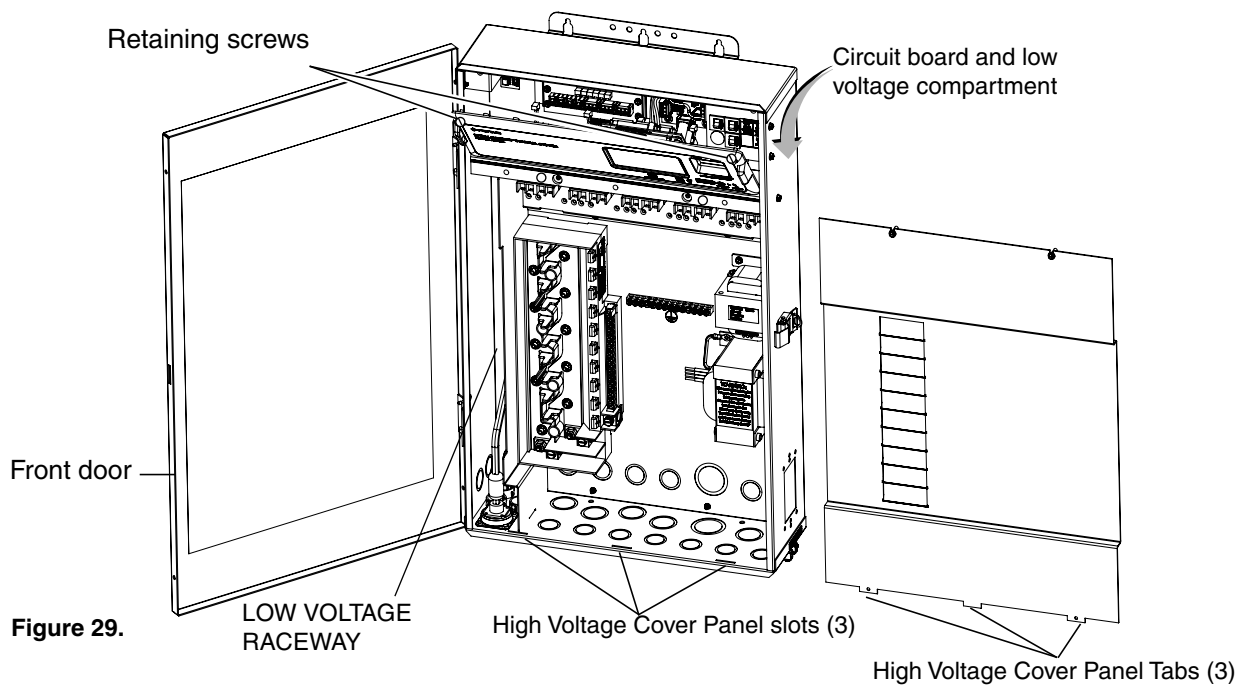


Figure 29.

Note: Use a 22 AWG four conductor low voltage RS-485 cable to connect to the MasterTemp heater to the IntelliCenter Control System Load Center:

4. Run the RS-485 cable from the heater's control board RS-485 COM port terminal connector to the Load Center or Power Center. See wiring connection Figure 30 on next page.
5. Insert the cable into the one of the plastic grommet fittings, located on the lower left side of the enclosure and pull the cable up through the low voltage to the circuit board, as shown below.
6. Strip back the outer jacket four inches. Strip back each conductor ¼-inch.
7. IntelliCenter Control System COM Port (J4 or J5): Insert the conductors into the COM Port screw terminals located on the top of the IntelliCenter Control System circuit board (see diagram below). Secure the conductors with the screws. For wiring details, refer to the pin configuration shown below. Note: Multiple conductors may be inserted into a single screw terminal.

Connecting the RS-485 Cable from the Heater to the Load Center (Continued)

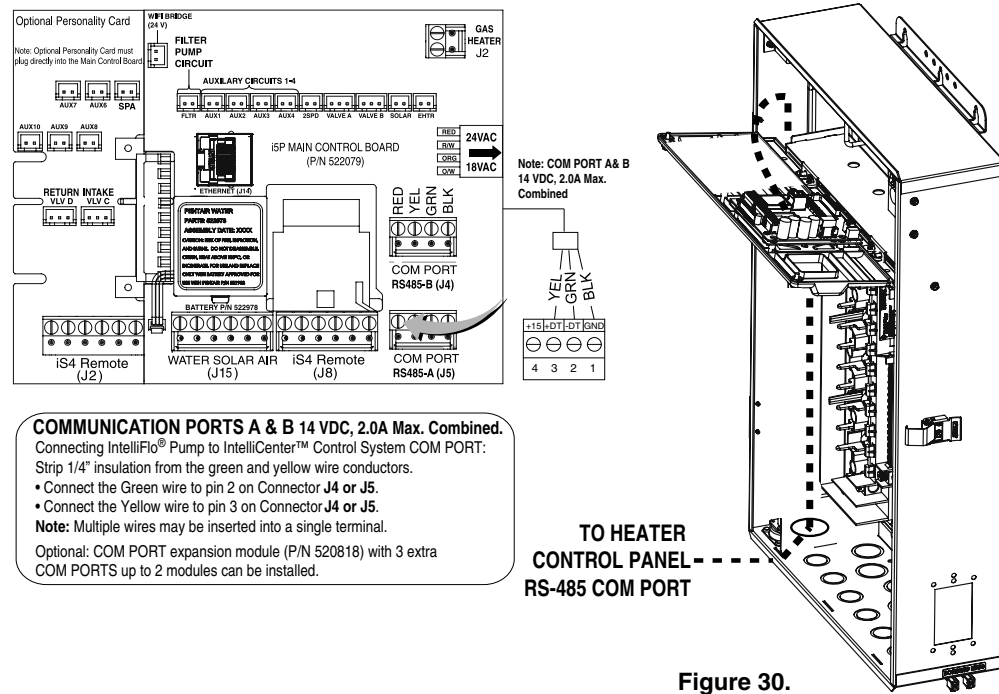


Figure 30.

MasterTemp COM Pport
 Control Panel
 Screw Terminal

Heater to IntelliCenter wires pin assignment

MasterTemp Heater COM Port screw terminal connector	IntelliCenter Control System COM Port (J4 or J5)
4 (NOT USED)	4 (NOT USED)
3 (YELLOW)	3 (YELLOW)
2 (GREEN)	2 (GREEN)
1 (BLACK)	1 (BLACK)

8. Reinstall the High Voltage Panel: Insert the panel's three tabs into the lower slots on the enclosure.
9. Secure the panel with the two (2) retaining screws. Close the front door and secure with the latch. See Figure 29 on page 21.
10. SWITCH ON AC power to the IntelliCenter Control System Load Center.

HEATER WIRING DIAGRAM (3-WIRE SYSTEM)

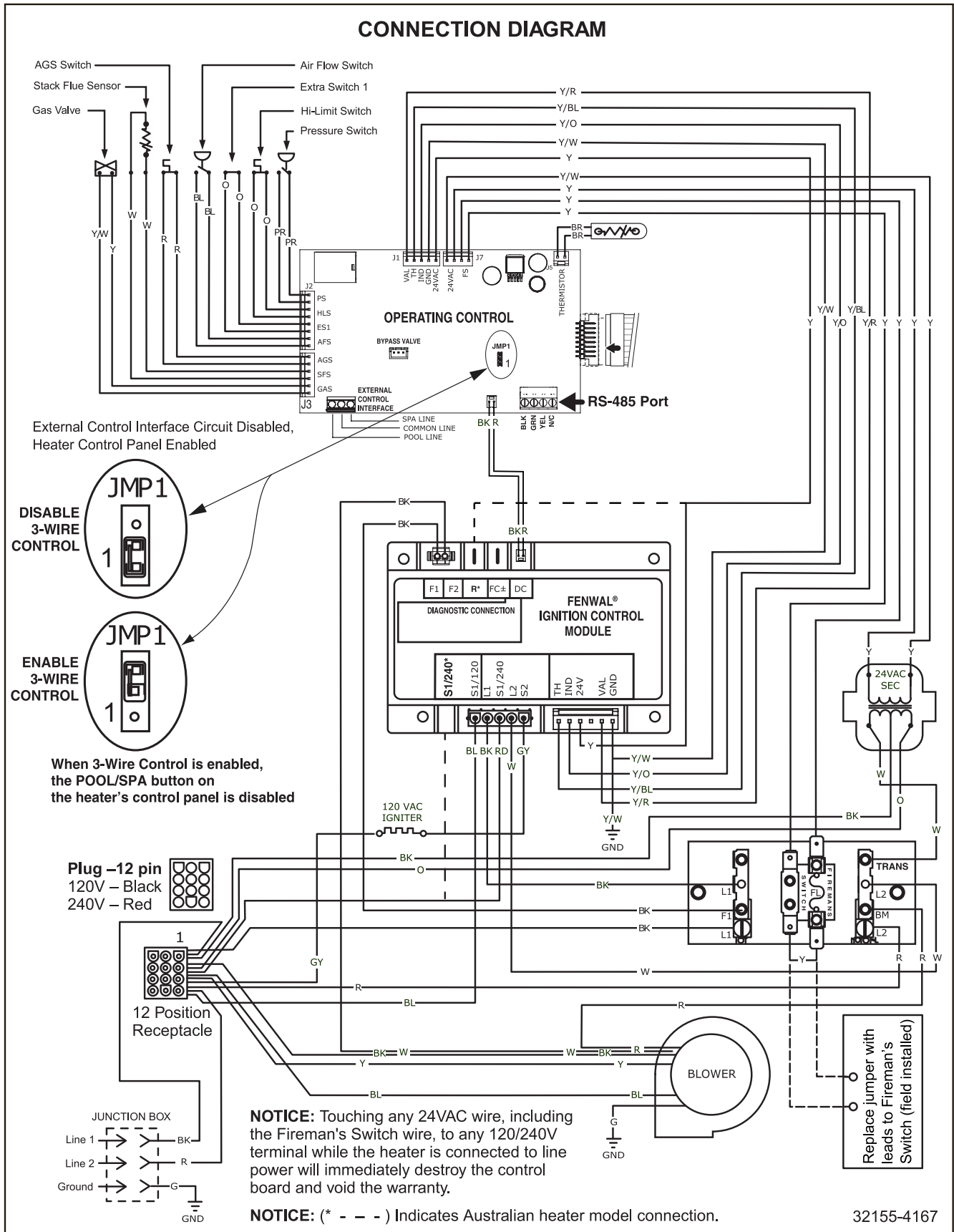
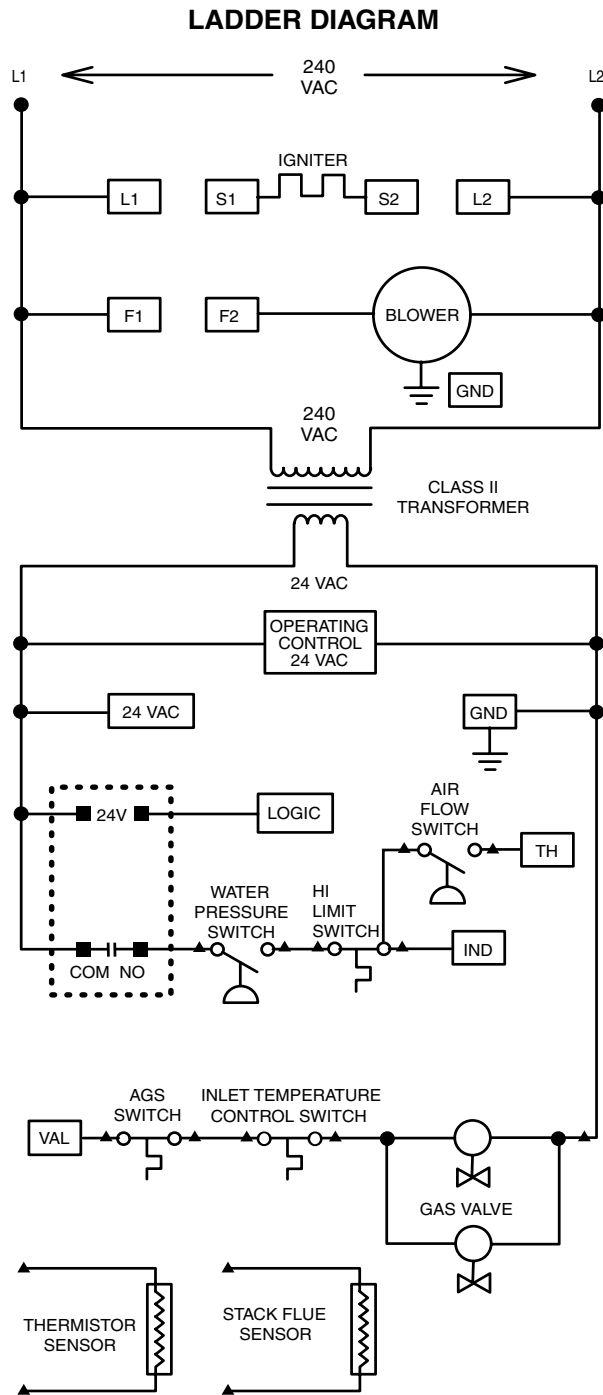


Figure 31.

HEATER ELECTRICAL SCHEMATIC LADDER DIAGRAM



NOTES:

- 1.)

L1	L2	F1	F2	S1	24 VAC
S2	GND	IND	VAL	AND	TH

ARE CONNECTED ON THE IGNITION MODULE.

- 2.) ▲ PIN AND SOCKET CONNECTOR.
- 3.) IF ANY OF THE ORIGINAL WIRES AS SUPPLIED WITH THE APPLIANCE MUST BE REPLACED, THEY MUST BE REPLACED WITH TYPE 105° C OR ITS EQUIVALENT.

Figure 32.

Section 2. Operation

BASIC SYSTEM OPERATION

Start the pool pump, make sure the pump is running and is primed, this will close the water pressure switch and supply power to heater. Be sure the pool and/or spa is properly filled with water. Follow the Lighting/Operating instructions below.

HEATER HSI ELECTRONIC IGNITION LIGHTING/OPERATION

FOR YOUR SAFETY: READ BEFORE LIGHTING

WARNING



If you do not follow these instructions exactly, a fire or explosion may result causing property damage, personal injury or loss of life.

Do not attempt to light the heater if you suspect a gas leak. Lighting the heater can result in a fire or explosion which can cause personal injury, death, and property damage.



WARNING! DO NOT INTERFERE WITH ANY SEALED COMPONENTS. THIS CAN ONLY BE DONE BY A QUALIFIED SERVICE PROFESSIONAL.

THE MASTERTEMP HEATER IS INTENDED FOR INSTALLATION WITH A METERED GAS PRESSURE REGULATOR.

START-UP AND OPERATION

START-UP AND SHUTDOWN INSTRUCTIONS ARE ON THE LABEL ATTACHED TO THE COVER OF THE APPLIANCE CONTROL BOX. NOTICE: UPON INSTALLATION THE INSTALLER MUST INSTRUCT THE USER IN THE OPERATION AND SAFETY DEVICES AND PROVIDE A COPY OF THE HEATER'S USER'S GUIDE.

BEFORE START-UP

- A. This appliance **does not** have a pilot. It is equipped with an ignition device which automatically lights the burners. **Do not try to light the burners by hand.**
- B. **BEFORE OPERATING**, smell all around the appliance area for gas. Be sure to smell next to the floor because some gas is heavier than air and will settle on the floor.
- E. Do not operate the pool heater unless the pool or spa is properly filled with water.
- F. Before operating the appliance for the first time or after it has been off for an extended time, perform the following checklist:
 1. Remove debris or other articles from inside the heater and the area around the heater and its exhaust vent. Make sure the ventilation openings are clear of debris or obstruction. For installations in an enclosed space, make sure openings for combustion and ventilation air are unobstructed.
 2. Keep heater area clear and free from combustibles, flammable liquids and chemicals.
 3. Check that all water connections are tight.
 4. Water must be flowing through the heater during operation. Make sure that pool/spa is filled with water and have pump operating. Check that water flow is unobstructed from the appliance. When operating for the first time or after an extended shut-down, run filter pump for several minutes to clear all air from

WHAT TO DO IF YOU SMELL GAS

- Do not try to light any appliance.
- Do not touch any electrical switch; do not use any phone in your building.
- Immediately call your gas supplier from a neighbor's phone. Follow the gas supplier's instructions.
- If you cannot reach your gas supplier, call the Fire Department.
- C. Use only your hand to turn the gas control on or off. Never use tools. If you cannot change the ON/OFF setting by hand, don't try to repair it, call a qualified service technician. Forced or attempted repair may result in a fire or explosion.
- D. Do not use this heater if any part has been under water. Immediately call a qualified service technician to inspect the heater and to replace any part of the control system and any gas control which has been under water.

OPERATING INSTRUCTIONS

1. **STOP!** Read the safety information on page iv - ix.
2. Set both pool and spa thermostats to the lowest settings.
3. Turn off all electric power to the appliance. **Turn OFF the Outside Manual Shut-Off Valve (Figure 3.)**.
4. This appliance does not have a pilot. It is equipped with an ignition device which automatically lights the burner. Do not try to light the burner by hand.
5. Remove the access door panels by unfastening the two (2) screws located on each door, then lift up and out from the bottom of the panel to remove. If necessary, the screws may be used as handles, see Figure 33.
6. Wait five (5) minutes to clear out any gas. If you then smell gas, **STOP!** Follow “B” in the “Before Start-up” instructions (page 1). If you don’t smell gas, go to the next step.
7. **Turn ON the outside Manual Shut-Off Valve (Figure 34).**
8. Replace the Door Access Panels. All panels must be in place when operating the heater.
9. Set 3-way valves on inlet and outlet to pool or spa, as appropriate.
10. Turn on all electric power to the appliance.
11. Press either the POOL ON or SPA ON button switch on the operating control.
12. Set the thermostat to desired setting (**NOTICE:** Set point must be above actual water temperature or burner will not fire). See “OPERATING THE CONTROL PANEL” (see Figure 2 and page ix).
13. The blower should come on immediately, and after about 20 seconds, the burner should fire. When operating for the first time, the burner may not fire on the first try because of air in the gas line. If it does not fire at first, push the OFF switch, wait five minutes, and again push the POOL or SPA ON switch. The burner should fire after about 20 seconds. You may have to repeat this until all of the air has cleared the gas line.
14. The burner should fire until the pool/spa temperature reaches the desired temperature set on the thermostat. The blower will continue to run for about 45 seconds after the burner shuts off. If any of the safety interlocks should open during burner operation, the burner shuts off immediately, but the blower continues to run for about 45 seconds. Should overheating occur or the gas supply fail to shut off, turn off the manual gas control valve to the appliance.
15. If the appliance will not operate, follow the instructions below “TO TURN OFF GAS TO THE APPLIANCE”, and call your service technician or gas supplier.

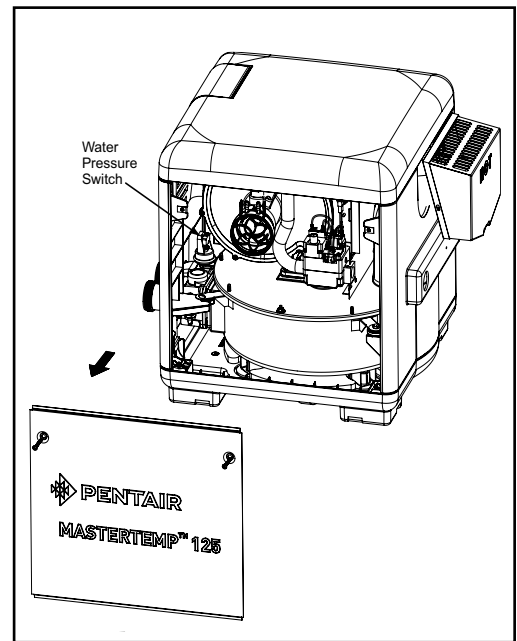


Figure 33.

TO TURN OFF GAS TO APPLIANCE

1. Press the OFF button on operating control.
2. - Switch off all electric power to the unit.
- **Turn OFF the outside Manual Shut-Off Valve (Figure 34).**
3. Remove the access door panels, see Figure 1.
4. Replace the Access Door Panels.

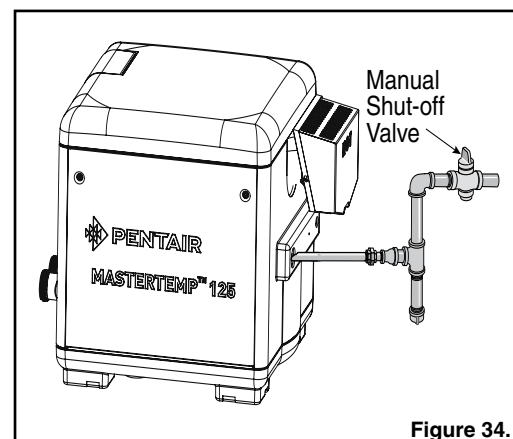


Figure 34.

OUTSIDE MANUAL SHUT-OFF VALVE LOCATION

SAFETY CONTROLS

AIR FLOW SWITCH (AFS)

The air flow switch (see Figure 35), is a safety device used to insure that the combustion air blower (fan) is operating and has been designed to monitor the vacuum (negative) pressure within the blower housing. The air flow switch is factory set and is connected upstream of the ignition module. The ignition module does not operate unless the air pressure switch and all safety switches are closed.

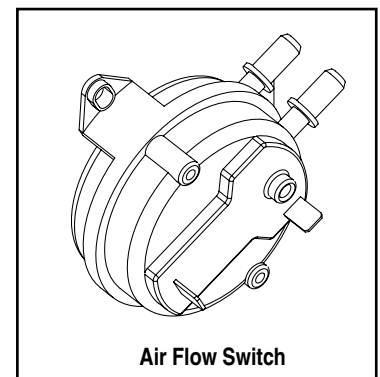


Figure 35.

⚠ WARNING

Hazardous pressure. Do not bypass the Water Pressure Switch or render it inoperable.

The water pressure switch (see Figure 37). If the water flow is restricted, the water pressure switch may prevent the burner from firing and cause the “**Service System**” light to go on. If the light remains on after the filter has been serviced, have a qualified service technician check the system.

For deck-level heater installations, the Water Pressure Switch is factory set at 0,2 bar (3.00 psi). **NOTE: See, “Below Pool Level Installation” on page 5.** If the pressure switch is 0.3M (1 ft.) below or above the pool water level, reset the switch so that it is open when the pump is off and closed when the pump is running. Turn the star-wheel on the switch clockwise (↻) to raise setting (heater below the pool) and counterclockwise (↺) to lower the setting (heater above the pool - see Figure 6). Test the switch after resetting.

NOTICE: When the heater is mounted more than 1.5M (5 ft.) above or 1.2M (4 ft.) below the deck level, a Pressure Switch is no longer adequate. A Flow Switch must be installed instead.

NOTICE: Heater operation with incorrect Pressure Switch setting may cause operation with no water flow. Operation of the heater without sufficient water flow may severely damage it **will void the warranty.**

HIGH LIMIT SWITCH

A “High Limit”, is a safety device that opens the electrical circuit and shuts off the heater based on a water temperature set point within the “High Limit Device”. The MasterTemp 125 heater has three (3) high limit devices which are located on the main inlet / outlet header (see page 47 item 6).

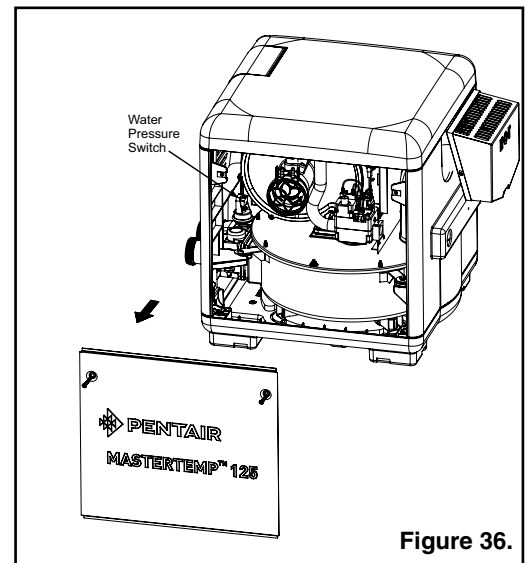
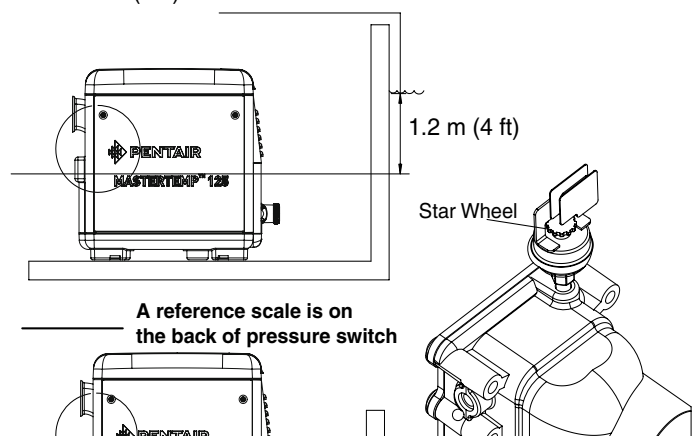


Figure 36.

Turn star wheel **clockwise** to raise pressure set point if pressure switch is more than 1.2 m (4 ft) below water level



A reference scale is on the back of pressure switch

Turn star wheel **counterclockwise** to lower pressure set point if pressure switch is more than 1.5 m (5 ft) above water level

Figure 37.

SAFETY CONTROLS, (continued)

OPERATION OF IGNITION MODULE

The Ignition Module, see Figure 38, is microprocessor based and operates on 24VAC supplied by the transformer. The control utilizes a microprocessor to continually and safely monitor, analyze, and control the proper operation of the gas flame holder. The module with the presence of the flame sensor, using flame rectification, allows the heater to operate.

WARNING

RISK OF EXPLOSION OR FIRE CAUSING BURNS OR DEATH IF SAFETY INTERLOCKS ARE DISABLED. DO NOT attempt to operate heater when The ERR HLS, ERR AFS, ERR IGN, ERR AGS, ERR SFS, E01, E05, E06, 126 messages on the LCD indicates a fault in the heater or its controls. If any of these messages are displayed, shut down the heater (See “TO TURN OFF GAS TO THE APPLIANCE” on page 26), and have a qualified service technician check the system.

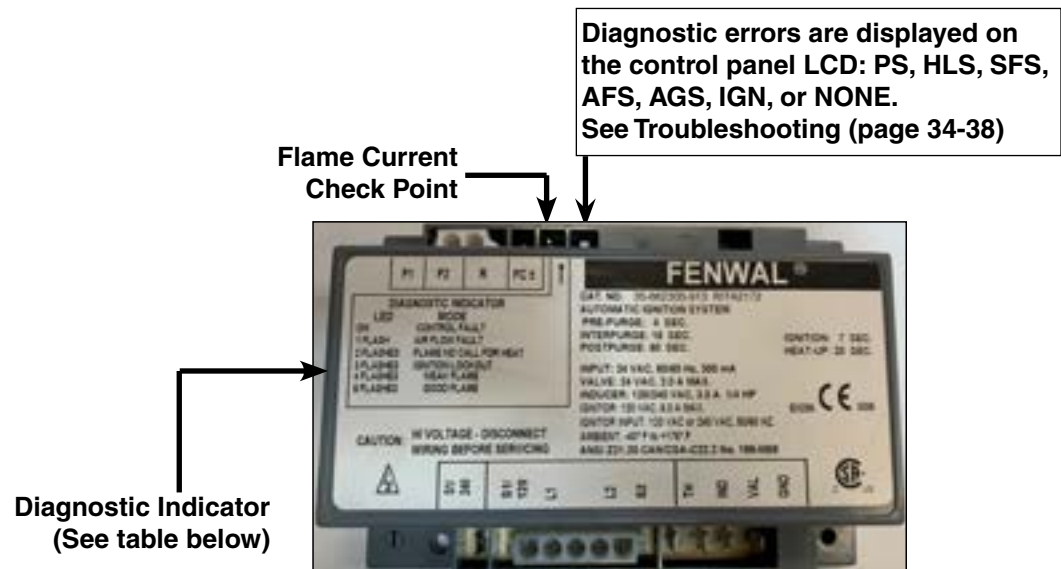


Figure 38.

Table 7. Diagnostic Indicator

Displayed Message	Description
CONTROL FAULT	Displays Message on Automation System
AIR FLOW FAULT	Displays Message on Automation System
FLAME NO CALL FOR HEAT	Displays Message on Automation System
IGNITION LOCKOUT	Displays Message on Automation System
WEAK FLAME	Displays Message on Automation System and viewed on Heater menu
GOOD FLAME	Displays Message on Automation System and viewed on Heater menu

ERROR PS MESSAGE

- The ERR PS message on the LCD indicates that there is insufficient water flow to the heater. If the pump is operating, this usually indicates that the filter and/or skimmers should be cleaned (some filters may require back-washing). If the message remains on after the filter/skimmers have been serviced, the system should be checked by a qualified service technician.

CONTROL PANEL

Control Panel Description

LCD Display: The LCD displays two lines of text. During normal heater operation the current pool or spa water temperature is shown on line 1 of the display. The heater set point for the pool or spa is shown on line 2 of the display. The display will turn off after two (2) minutes of inactivity on the keypad. When the display is off due to inactivity, pressing any button will turn it back on.

POOL/SPA: Toggles between POOL and SPA mode: Displays the selected pool or spa body of water actual temperature and set point.

HEATER OFF: Press this button to put the heater into IDLE/OFF mode. The LCD will display HEATER OFF.

UP Arrow Button: Increase heater temperature set point. Scroll through menu items and change settings.

DOWN Arrow Button: Decrease heater temperature set point. Scroll through menu items and change settings.

SELECT: Select current menu item or save menu item settings.

MENU/BACK: Enter menu items. Press Down to scroll through menu item. Press Menu/Back to return to main screen.

HEATING (LED): Solid Red LED on indicates the heater currently heating. **LED Off:** Heater is not active. Note: During the heater ignition process, this LED blinks.

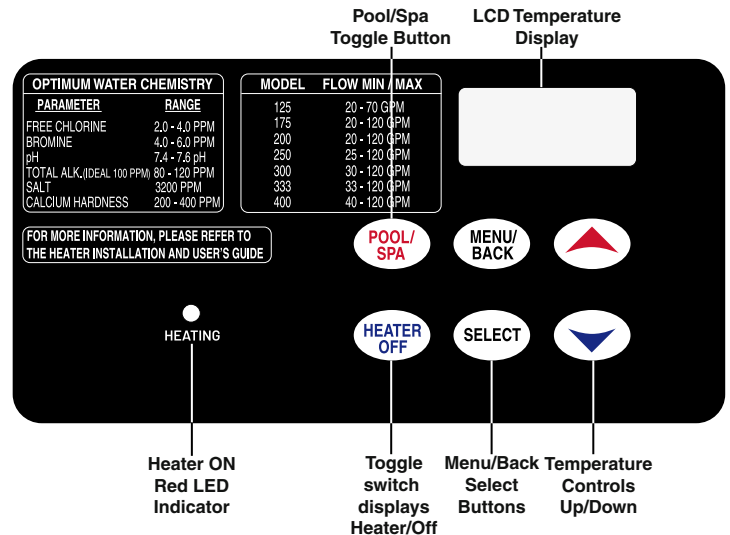


Figure 39. Heater Control Panel

Menu Navigation

1. Press MENU/BACK displays POOL MAX. Use the DOWN or UP button to scroll through each of the highlighted menu items.
2. Press SELECT to access the highlighted item. Press UP/DOWN to change or view the highlighted item.
3. Press SELECT to save, exit the setting and return to the menu items. Note: To exit the menu without saving and return to the main screen, press MENU/BACK two times.

Operating the Heater

The heater comes factory set at 78°F for the pool mode and 100°F for the spa mode. Using the up and down arrows, you can set the thermostats to a minimum temperature of 65° F., or a maximum of 104° F.

Heating the Pool or Spa (Press the HEATER OFF button to turn OFF the heater).

- Press POOL/SPA to select either Pool or Spa. The display shows the current set point and water temperature. Press Up/Down to increase or decrease water set point temperature. If the current water temperature is below the Set point water temperature, the heater will begin heating.

Menu

POOL MAX (65°F-104°F): The maximum heater operating temperature for the pool.

SPA MAX (65°F-104°F): The maximum heater operating temperature for the spa.

UNITS: Select F (Fahrenheit) or C (Celsius) to display change the display of the heat settings. Select US or Metric units.

HISTORY: Use Up/Down button to scroll through the last five heater errors.

CYCLES: Number of heater on/off cycles.

RUNTIME: Total number of hours the heater has spent heating the water.

SFS TEMP: Displays the current Stack Flue Sensor temperature.

FLAME: Displays the current flame sensor status (Normal or Low).

BACKLITE: Time-Out Enabled/Disabled:

Time-Out Enabled: The LCD backlight will turn off after two minutes of no control panel key pad activity. After three minutes of no key pad activity the LCD will turn off. When the LCD and/or the Backlight are off, any button press will turn the LCD and backlight back on. After that, the control panel buttons are in normal operating mode.

Time-Out Disabled: The LCD and backlight will stay on continuously and will not timeout.

HTR ADDR: Set the heater address (1-16) for automation control.

BP-VALVE (By-pass Valve): Enabled/Disabled

By-pass Valve Description

The purpose of the automatic BPVALVE (bypass valve) feature is to by-pass the flow of water from the heater inlet to the heater outlet when the heater is not firing. There is a minimal amount of water flow through the heater when the heater is not firing, and a maximum water flow through the heater when the heater is firing. For more information about Manual By-Pass and Automatic By-Pass valves, **see page 5 and 6.**

By-Pass Enabled

When the BYPASS VALVE feature is enabled and there is a call for heat, the by-pass valve closes to allow water to flow through the heater. It takes 30 seconds for the bypass valve to rotate to the closed position. This allows the valve to complete rotation so there is sufficient water flow and pressure to prevent the water pressure switch from triggering an error. When the call for heat ends, the water flow continues through the heat exchanger for a cool down period of one minute. After the cool down period, the by-pass valve will rotate so that water no longer flows through the heater.

By-Pass Disabled

When the BYPASS VALVE feature is disabled, there is no automatic switching of the by-pass valve when the heater starts a heating cycle. The valve stays in the position and water always flows through the heater.

LANGUAGE: English, Spanish or French

VERSION: View the current heater firmware version.

Section 3. Troubleshooting

Initial Troubleshooting

Only qualified, trained service technicians with appropriate test equipment should service the heater. Remember that all parts of the system affect heater operation. Before starting this troubleshooting procedure, make sure that the pump is running correctly, that there are no blockages in the system, that the valves are correctly set and that the time clock is correctly set and is running.

CAUTION: Installing the BLACK 120 volt plug in the control box and then connecting the heater to a 240 volt line will destroy the transformer, control board, and ignition control module, and will void the warranty. If you install the RED 240 volt plug and then connect the heater to a 120 volt line, the heater will not operate. See page 17.

READ THE FOLLOWING INFORMATION CAREFULLY

1. Check the line voltage to your heater. This heater will operate on either 120 Volts AC or 240 Volts AC.
2. Remove the covers and check the 12-pin plug in the back of the control box. The plug must match the voltage in the heater circuit.
3. If the 12-pin plug is not plugged into the back of the control box, select the correct plug from the bag in the control box and plug it in. The **BLACK plug** is for **120 volts**, the **RED plug** is for **240 volts**.

Error and Fault Codes

Table 8. Heater Error and Fault Codes

Fault Condition	Error Code Displayed	Note	Troubleshooting
Water pressure switch open	ERR PS	If water flow is established the error is cleared and normal operation is resumed.	No water flow thru heater
Hi temperature limit switch open	ERR HLS	When the temperature falls below 135°F the error is cleared and normal operation is resumed.	Water temperature after the 1 st pass through the heater exchanger is more than 135°F.
Air flow switch open	ERR AFS	If adequate air flow through the blower is established within 60 seconds the heater will resume normal operation. If the error is not corrected within 60 seconds the heater will need to be turned off by pressing the HEATER OFF button.	The blower is not on or air thru it is being restricted
Ignition Control Module	ERR IGN	To clear the error the HEATER OFF button must be pressed.	The Ignition Control Module was not able to ignite the heater.
Automatic gas shutoff	ERR AGS	The front panel buttons will be disabled. To reset the heater, cycle power.	Water temperature after the 2 nd pass thru the heat exchanger is more than 140°F
Excessive stack flue temperature	ERR SFS	The front panel buttons will be disabled. To reset the heater, cycle power.	The temperature of the stack flue is more than 480°F
Open stack flue sensor	E05		Follow diagram on page 37
Shorted stack flue sensor	E06	The front panel buttons will be disabled. To reset the heater, cycle power.	Follow diagram on page 37
Open water temperature sensor	E01	To clear the error the HEATER OFF button must be pressed.	Follow diagram on page 35
Shorted water temperature sensor	126		Follow diagram on page 35

TROUBLESHOOTING FLOW CHARTS

Initial Troubleshooting

Only qualified, trained service technicians with appropriate test equipment should service the heater. Remember that all parts of the system affect heater operation. Before starting this troubleshooting procedure, make sure that the pump is running correctly, that there are no blockages in the system, that the valves are correctly set and that the time clock is correctly set and is running.

IMPORTANT! READ ME FIRST!

NOTICE: Installing the **black 120 volt** plug in the control box and then connecting the heater to a **240 volt line will destroy the transformer, control board, and ignition control module, and will void the warranty.** If you install the red 240 volt plug and then connect the heater to a 120 volt line, the heater will not operate.

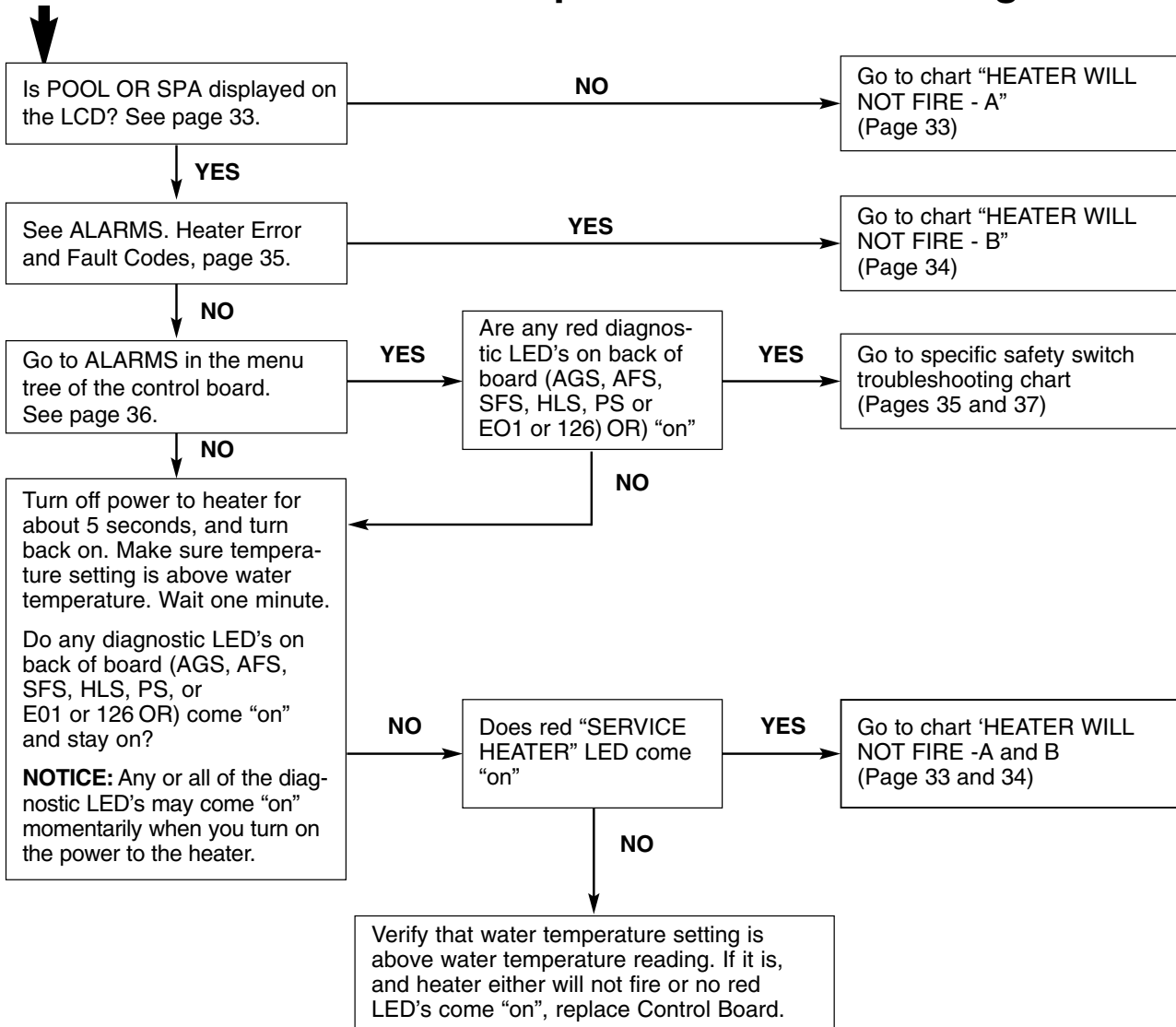
READ THE FOLLOWING CAREFULLY:

1. Check the line voltage to your heater. This heater will operate

on either 120 Volts AC or 240 Volts AC.

2. Remove the covers and check the 12-pin plug in the back of the control box. The plug must match the voltage in the heater circuit.
3. If the 12-pin plug is not plugged into the back of the control box, select the correct plug from the bag in the control box and plug it in. The **BLACK** plug is for **120 volts**, the **RED** plug is for **240 volts.** See page 17.

Start here for directions to specific Troubleshooting Chart

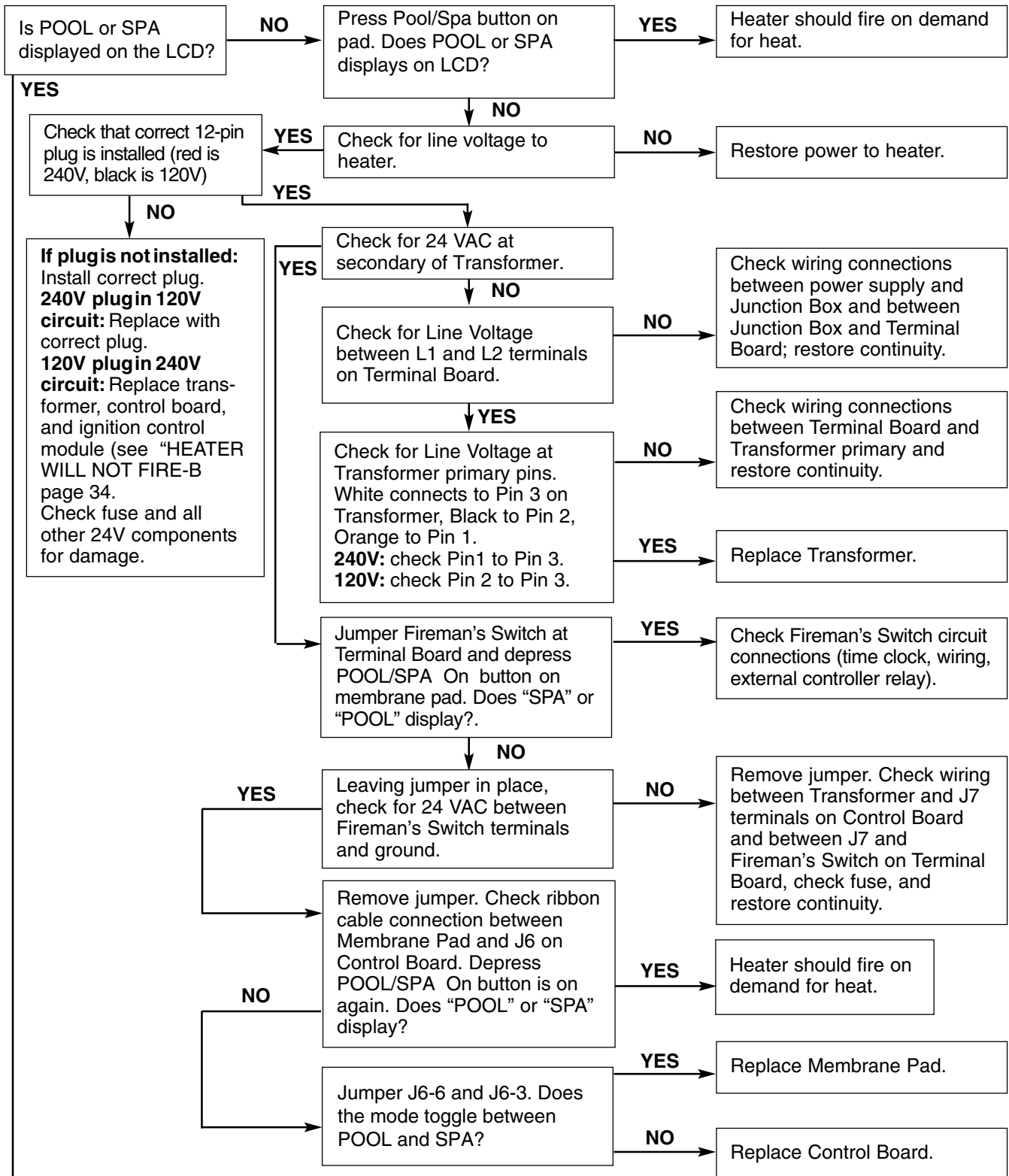


⚠ WARNING Hazardous voltage. Can shock, burn or kill. Disconnect power before servicing any components.

⚠ WARNING Fire and Explosion hazard. Do not jumper switch terminals to remedy a failed safety switch.

Heater Will Not Fire - A

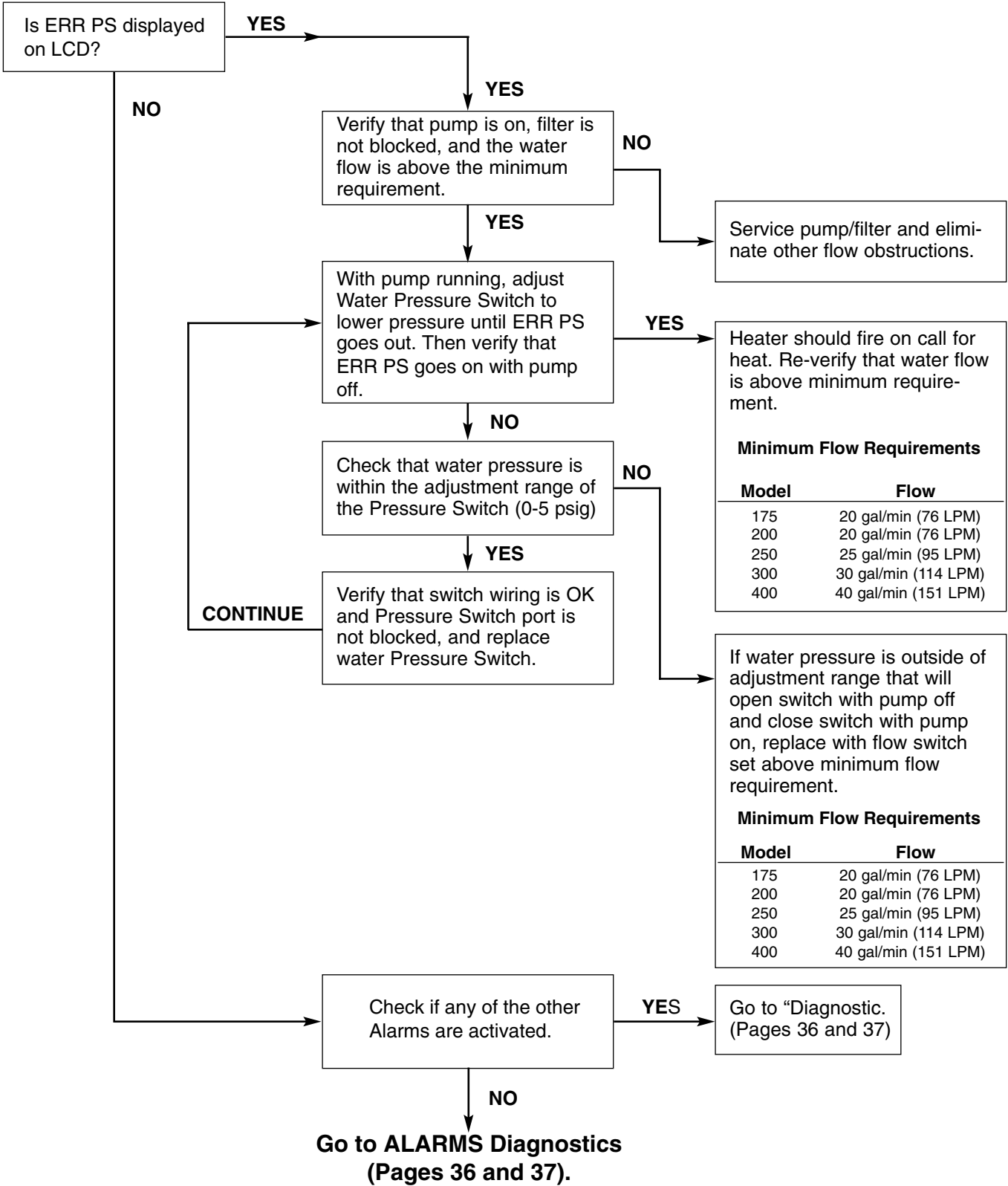
Start



GO TO
 "HEATER WILL NOT FIRE - B"
 Page 34.

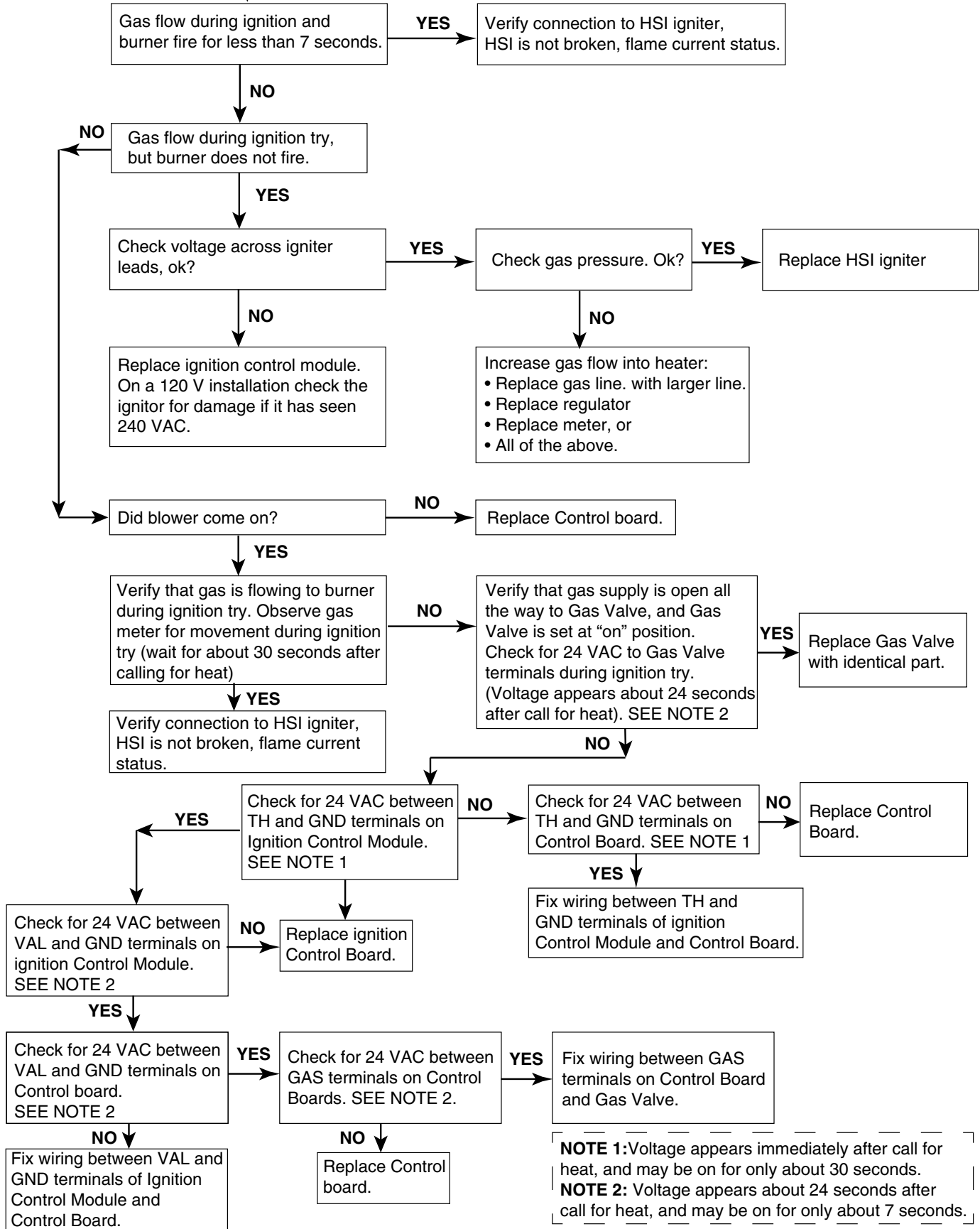
Heater Will Not Fire - B

Start



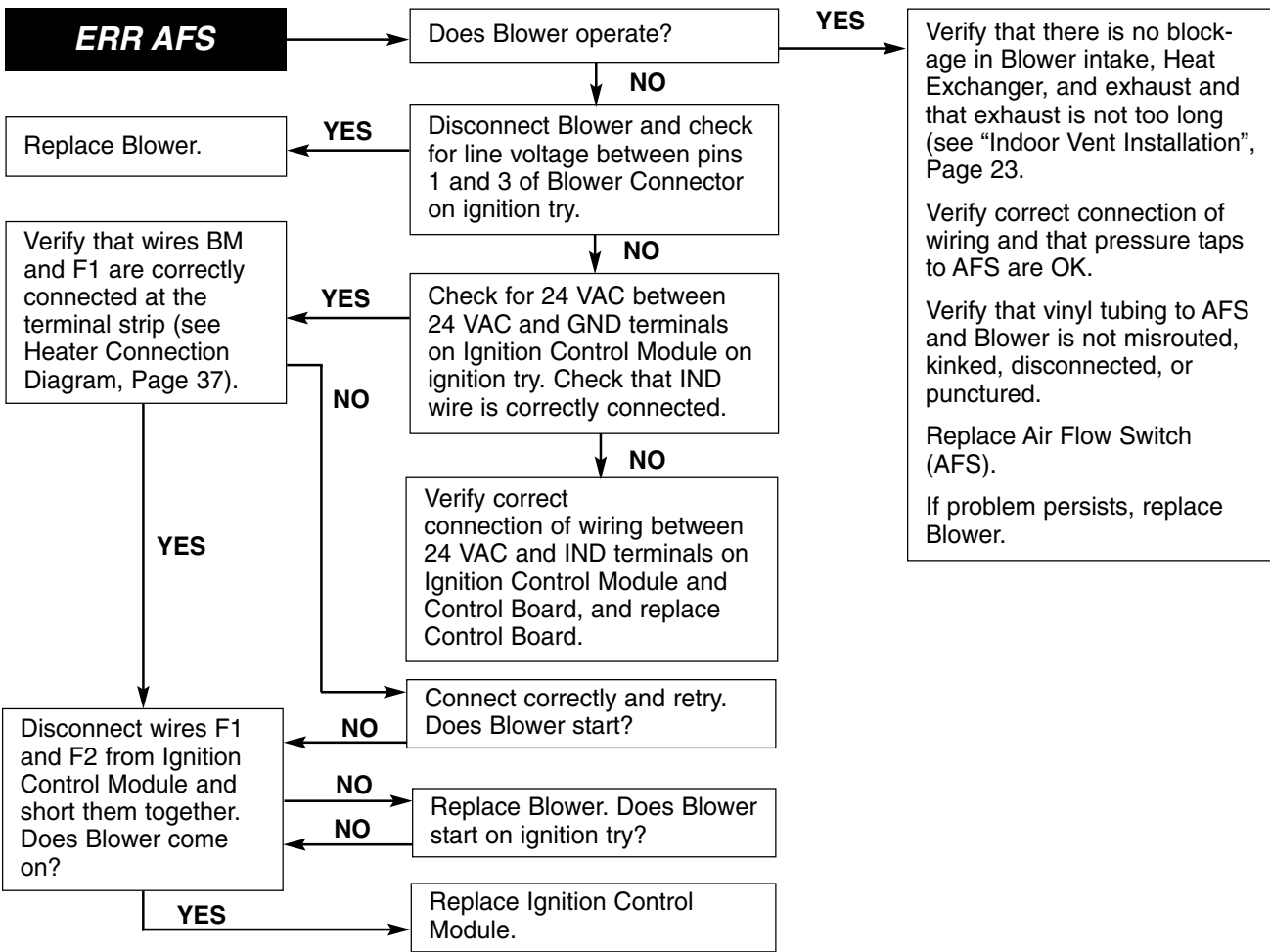
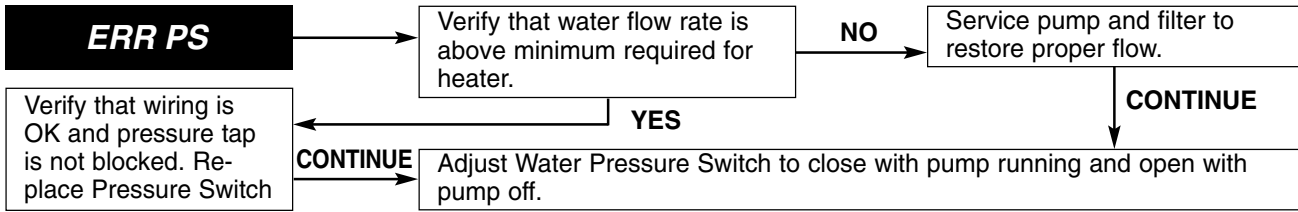
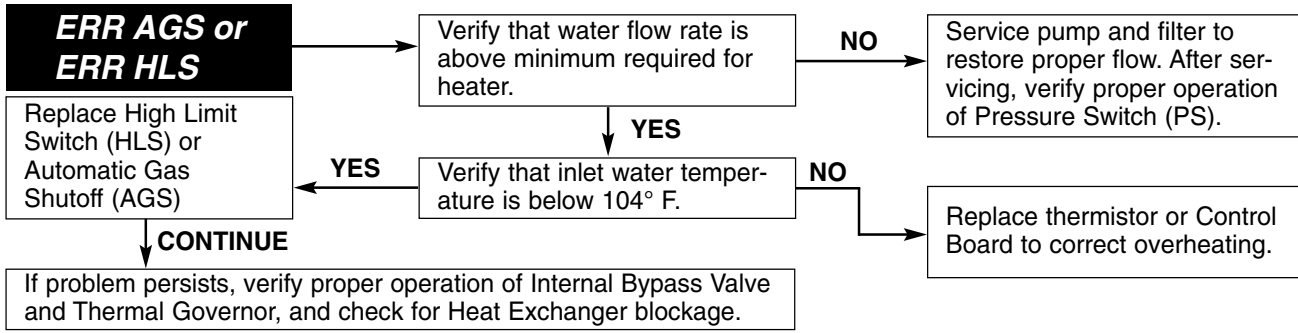
IGN is ON

ALARMS: AGS, AFS, HLS, PS, E01 or 126



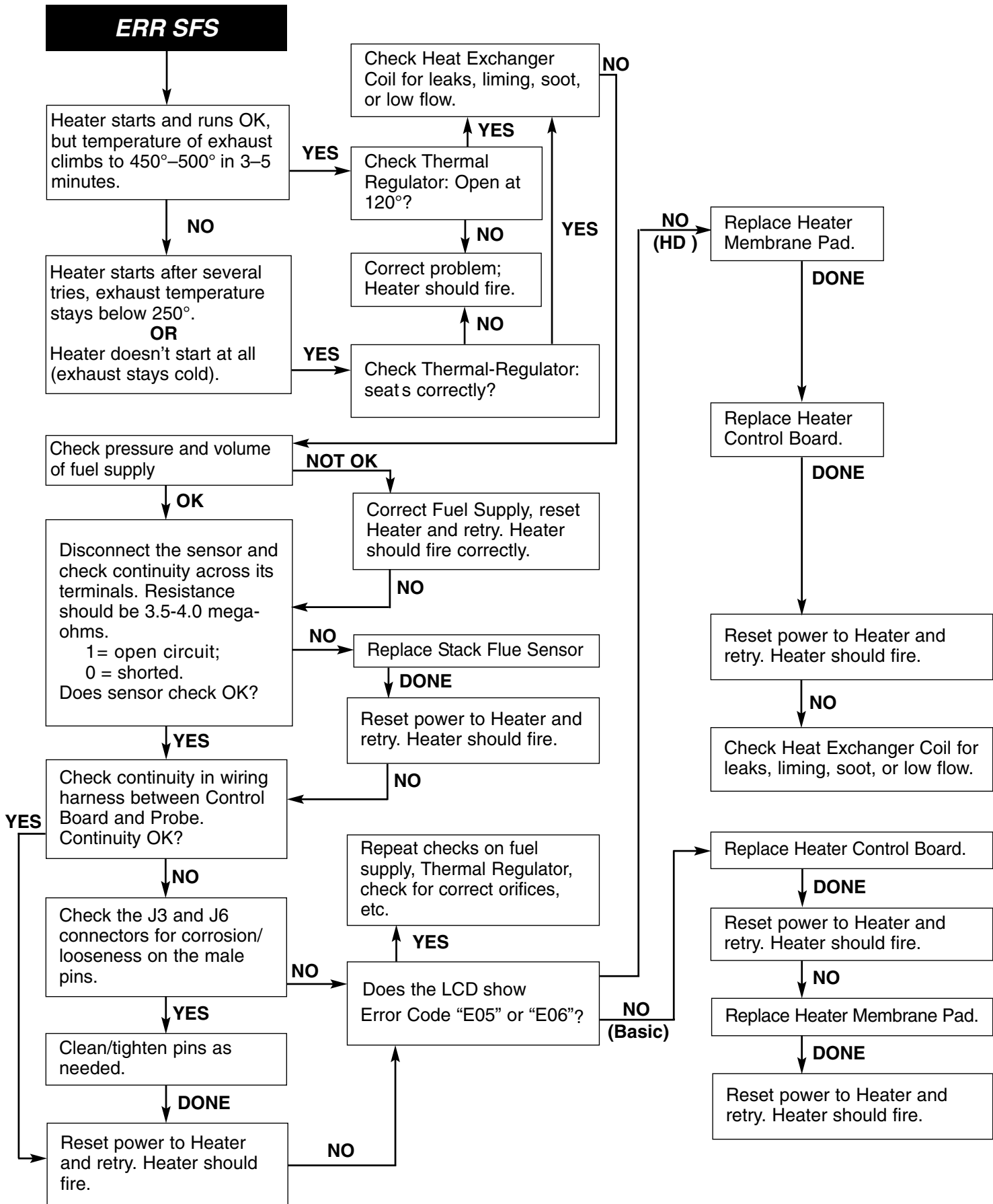
NOTE 1: Voltage appears immediately after call for heat, and may be on for only about 30 seconds.
NOTE 2: Voltage appears about 24 seconds after call for heat, and may be on for only about 7 seconds.

Diagnostic Alarms: AGS, AFS, HLS, PS, E01 or 126



CAUTION Do not jumper a safety switch to remedy a failed switch. **NOTE:** ES1 is a spare and should be jumpered.

Diagnostic Alarms: SFS



Burner Troubleshooting

SYMPTOM	CAUSE	REMEDY
Loud, high-pitched whine	Flame is too rich.	Verify pressure tap between gas valve and blower inlet. See page 8 and verify that the gas regulator setting is 20-25 mbar (NG), and 37 (PG). Contact a qualified technician or service agency to replace the gas orifice.
Flame is “fluttery.” Exhaust may have acrid smell or burner may fail to stay lit.	Flame is too lean.	See page 8 and verify that the gas regulator setting is 20-25 mbar (NG), and 37 (PG). Contact a qualified technician or service agency to replace the gas orifice.
Burner pulsates or surges, especially on ignition.	Exhaust vent is too long.	Reduce length of exhaust vent and/or number of elbows.
Combustion appears normal, but flame does not stay lit.	Flame current is not being sensed.	Check for wet or damaged igniter with low resistance to ground. Replace with new igniter. Verify burner flameholder is properly grounded. Replace Ignition Control Module.

Heat Exchanger Troubleshooting

SYMPTOM	CAUSE	REMEDY
Boiling in heat exchanger. May be accompanied by “bumping” sounds.	Low water flow to heater. Heat exchanger plugged. Bypass valve stuck open. Thermal governor stuck closed.	Service pump and or filter. Service heat exchanger. Correct water chemistry. Service bypass valve. Replace thermal governor.
Sweating.	Thermal governor failed.	Replace thermal governor.

Section 4. Maintenance

MAINTENANCE AND CARE

⚠️ WARNING

Risk of fire or explosion from flammable vapors. Do not store gasoline, cleaning fluids, varnishes, paints, or other volatile flammable liquids near heater or in the same room with heater.

⚠️ WARNING

DO NOT interfere with any sealed components. This must be done by a qualified service professional.

1. Inspect the heater panels and venting system to make sure that there are no obstructions to the flow of ventilating air or burner exhaust.
2. Keep the area in and around the heater clear and free from combustible materials, gasoline and other flammable vapors and corrosive liquids.
3. If applicable, test the operation of the pressure relief valve by lifting the valve lever. (See below for “PRESSURE RELIEF VALVE” below.)
4. Test for proper operation of the pressure switch. (See “WATER PRESSURE SWITCH” (page 27) for testing instructions.)
5. Check pipe and fittings for cracks or breaks. The combustion air blower is permanently lubricated, and does not require periodic lubrication. The burner does not require maintenance or adjustment by the user. Call a qualified

DE-LIMING THE HEATER

⚠️ WARNING



Working with Muriatic Acid can be dangerous. When cleaning elements always wear rubber gloves and eye protection. Add acid to water, do not add water to acid. Splashing or spilling acid can cause severe personal injury and/or property damage.

Should a heater require de-liming, this may be accomplished by circulating a solution of 30% Muriatic Acid. This process should only be performed by a person of sufficient skill. The heater **MUST** be disconnected from the pool plumbing, gas plumbing, and electric. The heater may be placed on its side with the water manifold “up”. The diluted muriatic acid may be recirculated until visible bubbles are no longer produced. Before being restored to service, the heater water ways should be completely rinsed with regular tap water.

PRESSURE RELIEF VALVE (NOT FACTORY INSTALLED)

European Standard Codes of Practice may require installation of a pressure relief valve (PRV). Purchase separately and install a 19 mm (.75 in) pressure relief valve complying with the local Plumbing Codes, having a capacity equal to the Mega Joule (MJ/hr) rating of the heater. The relief pressure of the valve **MUST NOT EXCEED** 344 kPa.

The relief valve must be installed vertically. To install the valve, use a 19 mm x 89 mm (.75 x 3.5 in) brass nipple at the manifold, the two brass elbows and nipples are (user supplied), as illustrated in Figure 40. **DO NOT** place any valve between the manifold adapter and the relief valve. To avoid water damage or scalding from operation of the relief valve, install a drain pipe in the outlet of the pressure relief valve that will direct water discharging from the valve to a safe place for disposal. Do not install any reducing couplings or valves in the drain pipe. The drain pipe must be installed so as to allow complete drainage from the valve and drain line. *The relief valve should be tested at least once a year by lifting the valve lever.*

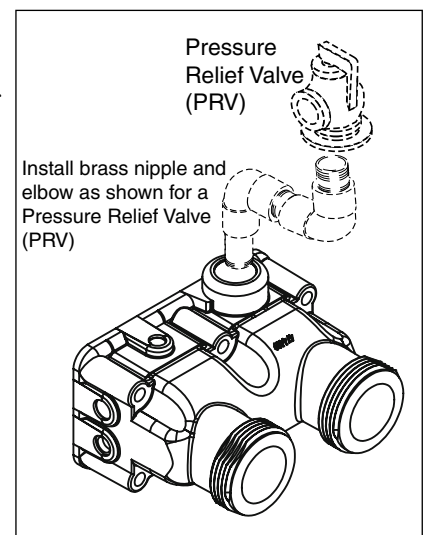


Figure 40.

⚠️ WARNING

Explosion hazard. Any heater installed with restrictive devices in the piping system downstream from the heater, (including check valves, isolation valves, flow nozzles, or therapeutic pool valves), must have a relief valve installed as described above.

AFTER START-UP

CHECKING WATER FLOW

WARNING

Fire or flooding hazard. If the unit overheats and the burner fails to shut off, follow instructions under “To Turn Off Gas to the

After start-up, the outlet water pipe should feel slightly warmer than the inlet pipe. If it feels hot, or if you hear the water in the heater boiling, there may not be enough water flow to the appliance. Make sure that the filter is not plugged. If water temperature remains high but the unit continues to operate, turn off the appliance and call your service technician.

SPRING AND FALL OPERATION

If the pool is only used occasionally, lower the pool thermostat to 20° C (68° F) and leave the heater on. This will keep the pool and the surrounding ground warm enough so that the heater should restore the pool to a comfortable temperature within about one day.

WINTER OPERATION

CAUTION

- Operating this heater continuously at water temperatures below 20° C (68° F) will cause harmful condensation and will damage the heater and void the warranty.
- If the heater has been drained for freezing condition, do NOT turn “ON” until the system is circulating water.
- Water trapped in the heat exchanger can result in freeze damage to the exchanger or headers. Freeze damage is specifically not covered by the warranty.
- When starting the heater for the swimming season with a water temperature below 10° C (50° F), the heater may be used to heat the water; however, make sure that the heater operates continuously until the water temperature reaches the heater’s minimum setting of 20° C 68° F). During cold weather, if there is no danger of freezing, operate the filter pump continuously even if the heater is not operating. If air temperatures are expected to drop below freezing (0° C / 32° F), shut down the heater and winterize it.

For outdoor heaters in freezing climates, shut the heater down and drain it for winter as follows:

1. Turn off electrical supply to the heater and pump.
2. Close main gas control valve and manual gas valve (located outside the heater). Turn switch on heater gas valve to OFF.
3. In colder climates where they may be required, open drain cock located on the bottom of the manifold adapter, and drain the heat exchanger and manifold adapter completely. If heater is below pool water level, be sure to close isolation valves to prevent draining the pool (isolation valves are not required and should not be used on heaters installed above pool water level except when needed for winterizing valves). Assist the draining by blowing out the heat exchanger through the pressure switch fitting with low pressure compressed air (less than 35 kPa or 5 PSI).

WARNING

Explosion hazard. Purging the system with compressed air can cause components to explode, with risk of severe injury or death to anyone nearby. Use only a low pressure (below 5 PSI or 35 kPa), high volume blower when air purging the heater, pump, filter, or piping.

4. Remove the Water Pressure Switch. Plug the port in the manifold to prevent bugs and dirt from getting into the manifold.
5. Drain the plastic inlet/outlet manifold through the outlet pipe. If the pipe does not drain naturally to the pool, install a drain cock in the outlet pipe to drain the manifold.
6. Cover air inlet grate with a plastic bag to prevent bugs, leaves, etc., from getting into the heater.

NOTICE: *Water trapped in the heater can cause freeze damage. Allowing the heater to freeze voids the warranty.*

To return the heater to service after winterizing:

1. Connect the INLET and OUTLET unions to the system plumbing. Check that they are connected correctly and there are no water leaks.
2. Before starting the heater, circulate water through the heater for several minutes until all air noises stop. See also “BEFORE START-UP” (page 25) and “CARE AND MAINTENANCE” (page 39).

(See additional notes under Important Notices in the introduction of this manual.)

MAINTAINING POOL TEMPERATURE

To maintain pool temperature, make sure the heater switch and valves are reset to pool settings after using the spa.

ENERGY SAVING TIPS

1. Keep the pool or spa covered when not in use. This will reduce heating costs, reduce water evaporation, conserve chemicals and reduce load on the filtering system.
2. Reduce pool thermostat to 26° C (78° F) or lower; reduce spa temperature to 38° C (100° F). This is accepted as being the most healthy temperature for swimming.
3. Use a time clock to start the filter pump at 6 AM or later. The swimming pool loses less heat after daybreak.
4. For pools used only on weekends, lower the thermostat setting by 12° C to 9° C (10° F to 15° F) during the week to reduce heat loss. A properly sized heater will restore normal temperature within one day.
5. Turn the heater off when the pool will not be used for an extended period.
6. Follow a regular program of preventive maintenance for the heater each new swimming season. Check operation of the heater and its controls.

CHEMICAL BALANCE

POOL AND SPA WATER

Your pool heater was designed specifically for your spa or pool and will give you many years of trouble-free service, provided you keep your water chemistry in proper condition.

Water chemistry should follow good swimming pool water chemistry practices. When using a chlorinator, install it down stream from the heater and at a lower level than the heater outlet. Install a corrosion resistant positive seal “Check Valve”, (P/N R172288), between the heater and the chlorinator to prevent concentrated chemicals from back-siphoning into the heater. Back-siphoning is most likely to occur when the pump stops, creating a pressure-suction differential. Do NOT sanitize the pool by putting chlorine tablets or sticks into the skimmer(s). When the pump is off, this will cause a high concentration of chlorine to enter the heater, which could cause corrosion damage to the heat exchanger.

Three major items that can cause problems with your pool heater are: improper pH, disinfectant residual, and total alkalinity. These items, if not kept properly balanced, can shorten the life of the heater and cause permanent damage.

CAUTION

Heat exchanger damage resulting from chemical imbalance is not covered by the warranty.

WHAT A DISINFECTANT DOES

Two pool guests you do not want are algae and bacteria. To get rid of them and make pool water sanitary for swimming - as well as to improve the water's taste, odor and clarity - some sort of disinfectant must be used.

Chlorine and bromine are universally approved by health authorities and are accepted disinfecting agents for bacteria control.

WHAT IS A DISINFECTANT RESIDUAL?

When you add chlorine or bromine to the pool water, a portion of the disinfectant will be consumed in the process of destroying bacteria, algae and other oxidizable materials. The disinfectant remaining is called chlorine residual or bromine residual. You can determine the disinfectant residual of your pool water with a reliable test kit, available from your local pool supply store.

You must maintain a disinfectant residual level adequate enough to assure a continuous kill of bacteria or virus introduced into pool water by swimmers, through the air, from dust, rain or other sources.

CHEMICAL BALANCE (continued)

Be sure to test the pool/spa water regularly. Never allow chlorine residual to drop below 0.6 ppm (parts per million). The minimum level for effective chlorine or bromine residual is 1.4 ppm.

pH - The term pH refers to the acid/alkaline balance of water expressed on a numerical scale from 0 to 14. A test kit for measuring pH balance of your pool water is available from your local pool supply store; see Table 7.

Muriatic Acid has a pH of about 0. Pure water is 7 (neutral). Weak Lye solution have a pH of 13-14.

RULE: 7.4 to 7.6 is a desirable pH range. It is essential to maintain correct pH, see Table 7.

If pH becomes too high (over alkaline), it has these effects:

1. Greatly lowers the ability of chlorine to destroy bacteria and algae.
2. Water becomes cloudy.
3. There is more danger of scale formation on the plaster or in the heat exchanger tubing.
4. Filter elements may become blocked.

If pH is too low (over acid) the following conditions may occur:

1. Excessive eye burn or skin irritation.
2. Etching of the plaster.
3. Corrosion of metal fixtures in the filtration and recirculation system, which may create brown, blue, green, or sometimes almost black stains on the plaster.
4. Corrosion of copper tubes in the heater, which may cause leaks.
5. If you have a sand and gravel filter, the alum used as a filter aid may dissolve and pass through the filter.

CAUTION: Do not test for pH when the chlorine residual is 3.0 ppm or higher, or bromine residual is 6.0 ppm or higher. See your local pool supply store for help in properly balancing your water chemistry.

RULE: Chemicals that are acid lower pH. Chemicals that are alkaline raise pH.

ALKALINITY High or Low:

“Total alkalinity” is a measurement of the total amount of alkaline chemicals in the water, and control pH to a great degree. (It is not the same as pH which refers merely to the relative alkalinity/acidity balance.) Your pool water’s total alkalinity should be between 100 - 140 ppm to permit easier pH control.

A total alkalinity test is simple to perform with a reliable test kit. You will need to test about once a week and make proper adjustments until alkalinity is in the proper range. Then, test only once every month or so to be sure it is being maintained. See your local pool dealer for help in properly balancing the water chemistry.

Table 7: WATER CHEMISTRY PARAMETERS

Disinfectant levels	Minimum	Ideal	Maximum
Free Chlorine, ppm	1.0	2.0-4.0	5.0**
Combined Chlorine, ppm	None	None	0.2
Bromine, ppm	2.0	4-6	10.0
Other Sanitizers	Levels not established. Consult local health department before use.		
Chemical Values			
pH	7.2	7.4-7.6	7.8**
Total Alkalinity (Buffering), ppm as CaCO ₃	60	80-100	180
Salt ppm	2000	3200	5000**
Total Dissolved Solids, ppm	N/A	N/A	1,500 ppm > TDS at startup*
Calcium Hardness, ppm, as CaCO ₃	150	200-400	500-1,000
Heavy Metals	None	None	None
Biological Values			
Algae	None	None	None
Bacteria	None	None	Refer to Local Code

*Start-up TDS includes source water TDS and any other inorganic salt added at start-up.

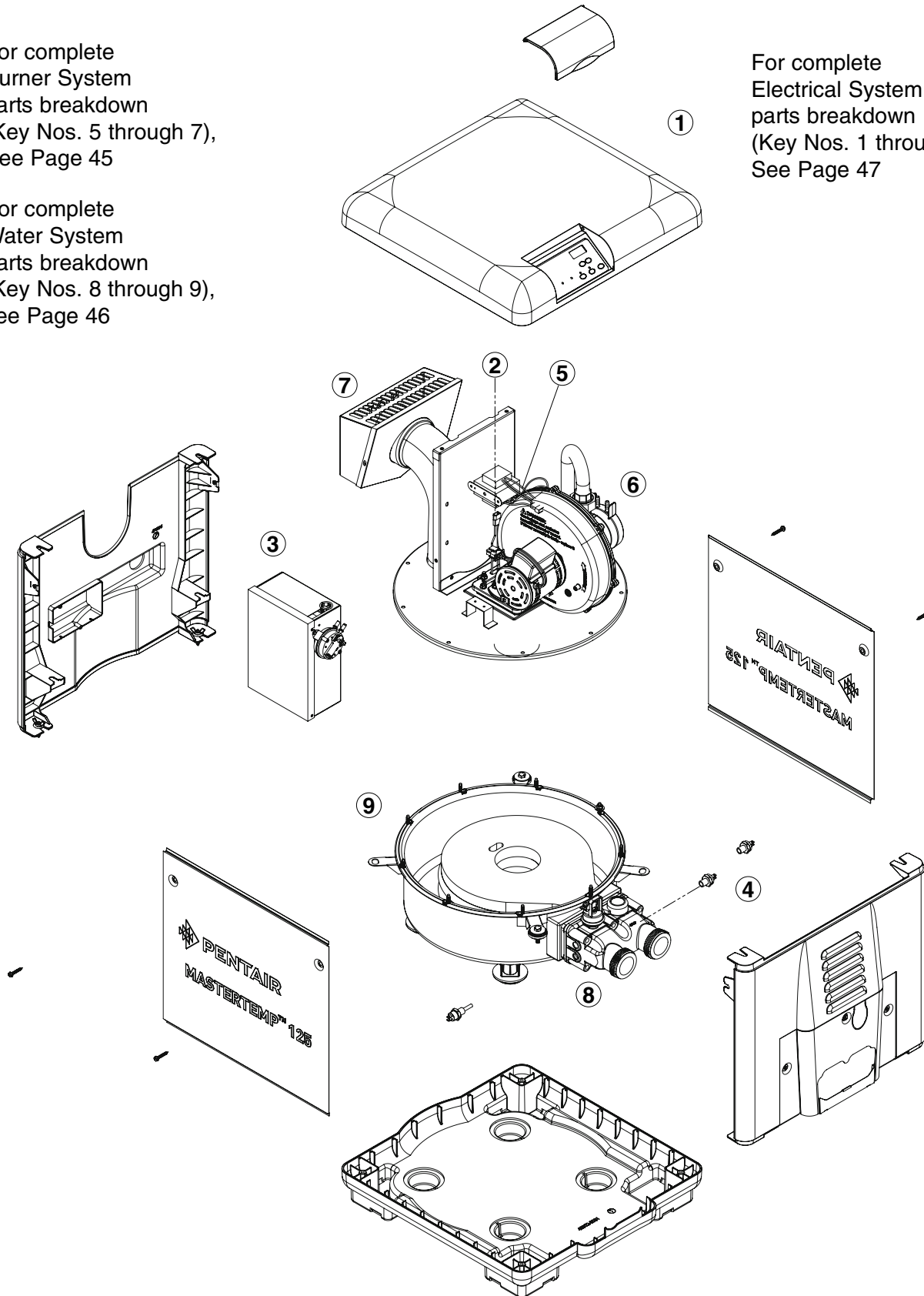
NOTE ():** Failure to adhere to the listed water chemistry parameters may result in premature failure of the heat exchanger and will void the warranty.

MasterTemp 125 HEATER REPLACEMENT PARTS

For complete
Burner System
parts breakdown
(Key Nos. 5 through 7),
See Page 45

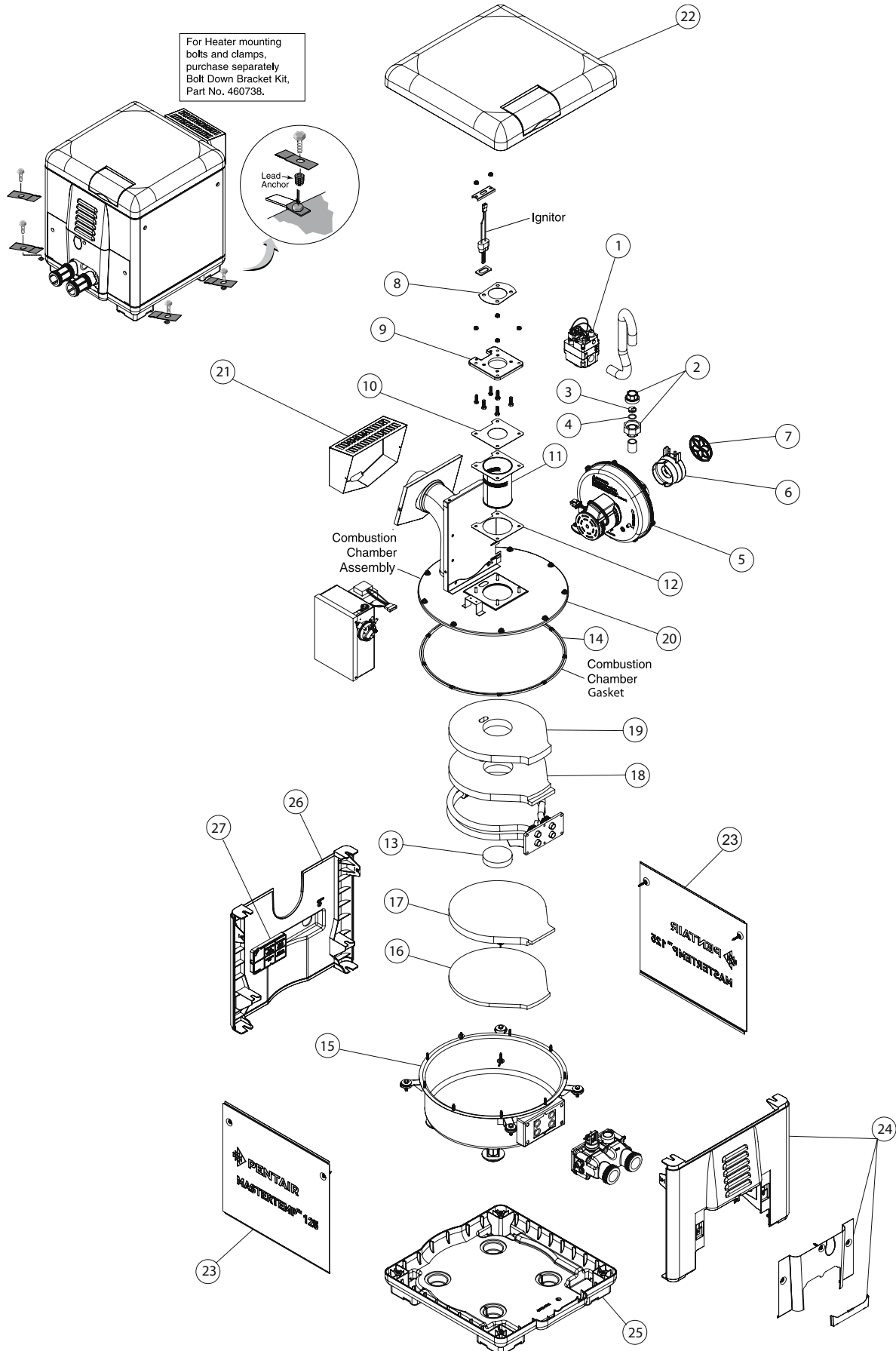
For complete
Water System
parts breakdown
(Key Nos. 8 through 9),
see Page 46

For complete
Electrical System
parts breakdown
(Key Nos. 1 through 4),
See Page 47



**Repair Parts are available from your Pentair dealer,
or call Customer Support at 1-800-831-7133 US.**

MasterTemp 125 HEATER REPLACEMENT PARTS



MASTERTEMP 125 HEATER REPLACEMENT PARTS

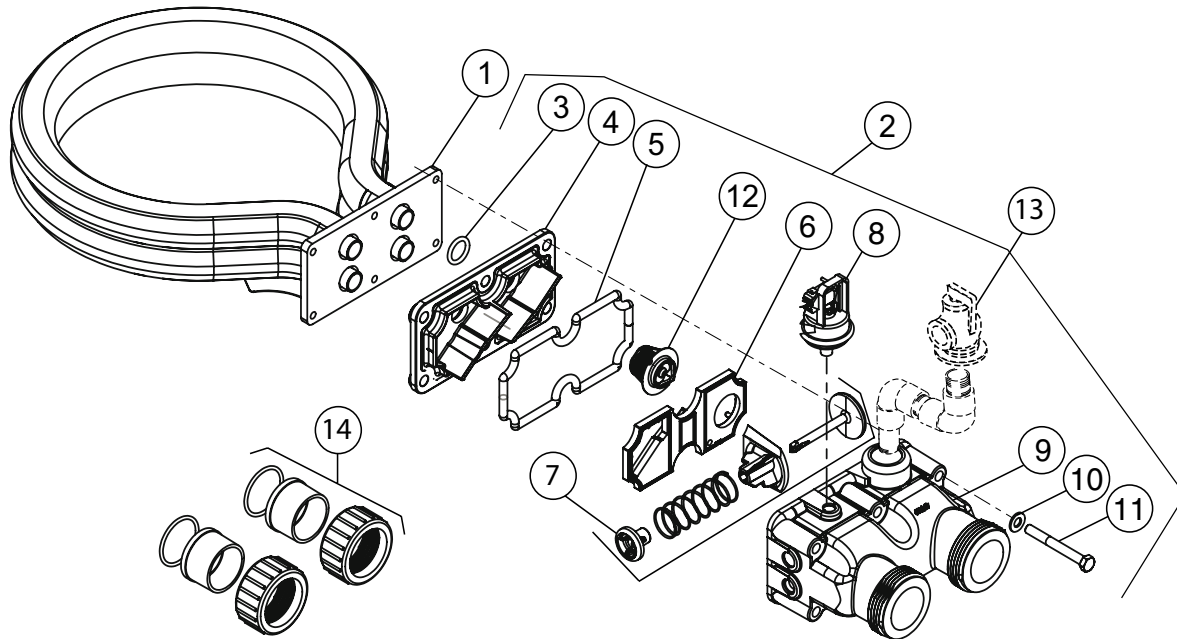
REPAIR PARTS – BURNER SYSTEM

Key No.	Part Description	Qty.	Model
			MT125 NA MT125 LP
1	Combination Gas Control Valve Kit	1	474133Z
2	3/4" Union	2	38404-4097S
3	Gas Orifice	1	
4	Gas Orifice O-Ring	1	
•	Gas Orifice Kit – NG (Incl. Key Nos. 3 and 4)**	1	475131
•	Gas Orifice Kit – Propane (Incl. Key Nos. 3 and 4)**	1	475132
•	NG to Propane Conversion Kit (Incl. Key Nos. 3 and 4)**	1	475133
•	Propane to NG Conversion Kit (Incl. Key Nos. 3 and 4)**	1	475134
5	Air Blower Kit	1	474104Z
•	Air Orifice Kit (Includes Key Nos. 6 and 7)	1	475138
6	Air Orifice Kit		
7	Air Orifice Grill		
•	Blower/Adapter Plate Gasket Kit (Includes Key Nos. 8, 9, 10, 12)	1	77707-0011
•	Flameholder Kit (Includes Key Nos. 10, 11, 12, 13)	1	474994
8	Blower/Adapter Plate Gasket	1	
9	Blower Adapter Plate	1	
10	Flameholder/Adapter Plate Gasket	1	
11	Flameholder Assembly	1	
12	Flameholder/Combustion Chamber Gasket*	1	
13	Flameholder Insulation Cap	1	
•	Flameholder Insert	1	
14	Combustion Chamber Gasket Kit	1	474952
15	One Piece Metal Chamber/Combustion Chamber Assembly (9-bolt)	1	474990
•	Insulation Kit (Includes Key No. 13, 16, 17, 18, 19)	1	77707-0008
16	Bottom Outer Insulation Blanket*	1	
17	1" Bottom Inner Insulation	1	
18	1" Top Insulation	1	
19	Top Outer Insulation Blanket*	1	
•	Lower Enclosure Insulation	1	42001-0074S
20	One Piece Metal Elbow/Combustion Chamber Cover Assembly (9-bolt)	1	474958
21	Metal Vent Cover	1	42002-0005S
22	Heater Top	1	42002-0034Z
23	Side Panel {Service Panel}	1	474991
24	Side Panel {Manifold}	1	474992
25	Heater Bottom	1	42002-0031Z
26	Side Panel {Flue Stack}	1	474993
27	J-Box Cover	1	42002-0041Z
28	Screws/Clips Kit, Panel (8 ea. clips & 8 ea. screws)	1	474292
•	Combustion Air Intake Duct Connection Kit	1	CALL

* Not available separately.

** Not included with heater. Order separately.

MASTERTEMP 125 HEATER REPLACEMENT PARTS

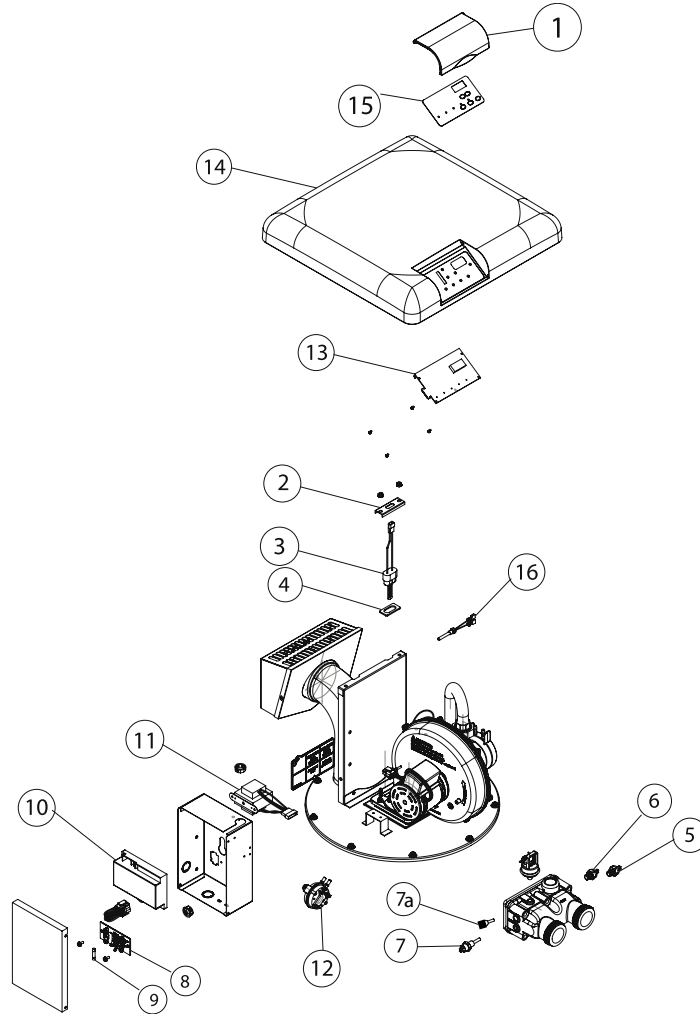


REPAIR PARTS – WATER SYSTEM

Key No.	Part Description	Qty.	Model	
			MT125 NA	MT125 LP
1	Tube Sheet Coil Assembly Kit (HD Cupro-nickle) NA, LP (Includes Key No.3)	1	475180	
2	Manifold Kit (Includes Key Nos. 3-11. Key No.12 and 13 not included. Key Nos. 5-7 in "Electrical System", Page 53)	1	475148	
3	Coil/Tubesheet Sealing O-Ring Kit	1	474973	
4	Manifold Bottom Plate (*)	1	-	
5	Manifold O-Ring (*)	1	-	
6	Manifold Baffle Plate (*)	1	-	
7	Manifold Bypass Valve (*)	1	-	
8	Water Pressure Switch	1	42001-0060S	
9	Manifold (*)	1	-	
10	5/16" Washer, Stainless Steel (*)	6	-	
11	5/16x18x2-3/4" Hex Cap screw (*)	6	-	
12	Thermal Regulator	1	474989	
13	Pressure Relief Valve (Recommended (Purchase Separately)	1	473715Z	
14	1-1/2" Union Kit	1	474974	

(*) Not available separately

MASTERTEMP 125 HEATER REPLACEMENT PARTS

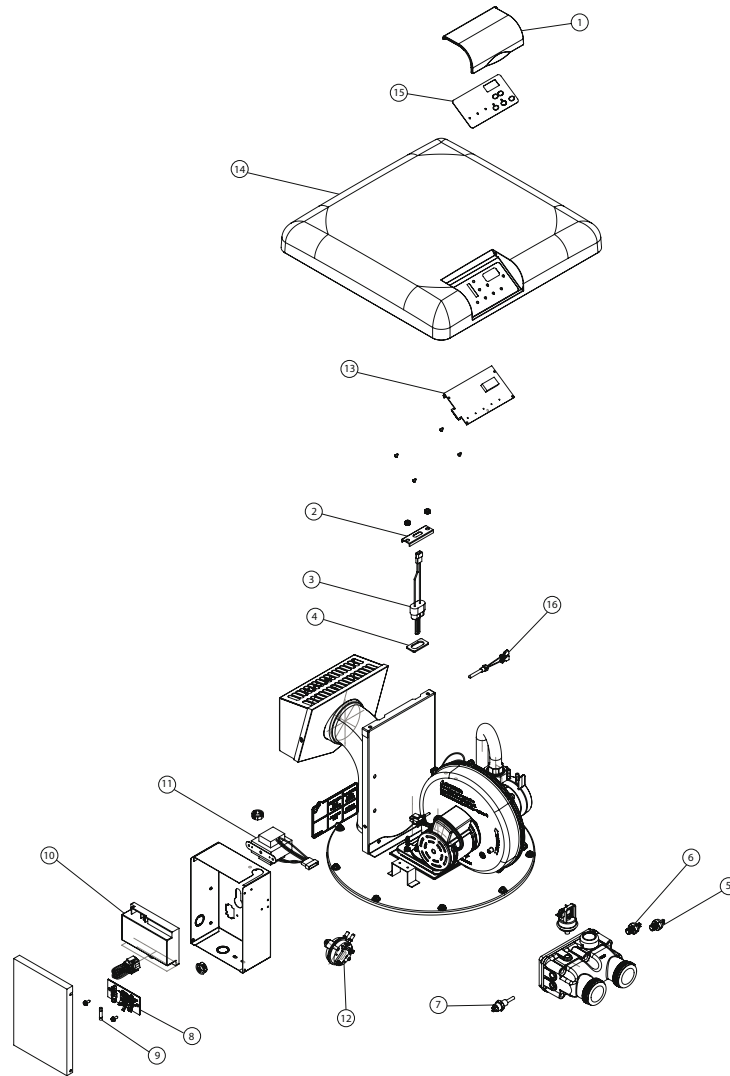


REPAIR PARTS – ELECTRICAL SYSTEM

Key No.	Part Description	Qty.	Model 125 (NA/LP)
1	Heater Display Cover	1	42002-0035Z
2	Igniter Bracket	1	42001-0030S
3	Igniter/Igniter Gasket Kit Incl. Key Nos. 3 and 4)	1	77707-0054
4	Igniter Gasket	1	42001-0066S
5	Automatic Gas Shutoff Switch (AGS)	1	474368Z
6	High Limit Switch (55°C)	1	474369Z
7	Thermistor	1	42001-0053S
7a	Inlet Temperature Control Switch (45°C)	1	475147Z
8	Terminal Board	1	42001-0056S
9	Fireman's Switch Fuse (1.25A, 1-1/4")	1	32850-0099
10	Ignition Control Module	1	474103Z
11	Transformer, 120/240V	1	42001-0107S
12	Air Flow Switch	1	42001-0061S
13	Control Board Kit (NA, LP Series)	1	42002-0007S
•	Heater Wiring Harness - 120/240V	1	474163Z
•	120/240 Volt Plug Kit	1	42001-0105S
14	Heater, Top	1	42002-0034Z
15	Membrane Pad (NA, LP Series)	1	472610Z
16	Stack Flue Sensor	1	42002-0024S

- Not available separately.
- * Kit parts not available separately.

MasterTemp 125 HEATER REPLACEMENT PARTS



REPAIR PARTS – ELECTRICAL SYSTEM

Key No.	Part Description	Qty.	Model 125 (NA/LP)	MT125 HD NA & LP (*) International
1	Heater Display Cover	1	42002-0035	
2	Igniter Bracket	1	42001-0030S	
3	Igniter/Igniter Gasket Kit Incl. Key Nos. 3 and 4)	1	77707-0054	
4	Igniter Gasket	1	42001-0066S	
5	Automatic Gas Shutoff Switch (AGS)	1	474368S	
6	High Limit Switch	1	474367S	474369S 55° C HI LIMIT
7	Thermistor	1	42001-0053S	
7a	Hi-Limit Switch 45° C	1		175147S
8	Terminal Board	1	42001-0056S	
9	Fireman's Switch Fuse (1.25A, 1-1/4")	1	32850-0099	
10	Ignition Control Module	1	476223	476224
11	Transformer, 120/240V	1	42001-0107S	
12	Air Flow Switch	1	42001-0061S	
13	RS485 Control board & Membrane Pad Combo kit	1	471105	471105
•	Heater Wiring Harness - 120/240V	1	461107	461108
•	120/240 Volt Plug Kit	1	42001-0105S	473764S (240 V PLUG)
14	Heater, Top	1	42002-0034Z	
15	Membrane Pad (NA, LP Series - Legacy)	1	472610Z	
•	RS 485 membrane pad (NA & LP) **	1	461106	461106
•	RS 485 conversion Combo kit	1	476211	462049
16	Stack Flue Sensor	1	42002-0024S	

(*) 50Hz, Europe, Australia and United Kingdom.

(**) Kit Includes: RS 485 control board, RS485 membrane pad and flame current wire.

Notes

Notes

Customer Support: Pentair EMEA:

Head Office: Pentair International S.a.r.l, Avenue de Sévelin 20,
1004 Lausanne – Switzerland

Customer Support: PISA, ITALY (8:30 A.M. to 4:30 P.M.) CET

EU Technical Support number : +33 1 84 28 09 40 (Monday to
Friday, 9:00 A.M. to 5:00 P.M.)

sav.france@pentair.com - aftersales.pooleu@pentair.com



1620 HAWKINS AVE., SANFORD, NC 27330 • (919) 566-8000
10951 WEST LOS ANGELES AVE., MOORPARK, CA 93021 • (805) 553-5000
www.pentairpooleurope.com

All indicated Pentair trademarks and logos are property of Pentair Inc. or its global affiliates in the U.S.A. and/or other countries. Third party registered and unregistered trademarks and logos are the property of their respective owners © 2016 Pentair Water Pool and Spa, Inc. All rights reserved. This document is subject to change without notice.

© 2020 Pentair. All rights reserved. This document is subject to change without notice.



P/N 475114 REV. F 9/2020