



# GAS HEAT EXCHANGER INLET/OUTLET KITS

FOR ULTRATEMP ETi® HYBRID HEATERS

This guide provides instructions for removing and replacing the UltraTemp ETi® Gas Heat Exchanger Inlet or Outlet Assembly.

Follow these instructions to ensure proper installation of the Inlet Kit (P/N 462066) or Outlet Kit (P/N 462067).



**IMPORTANT NOTICE - Attention Installer:** This guide contains important information about the installation, operation and safe use of this product. This guide should be given to the owner and/or operator of this heater.

Before installing this product, read and follow all warning notices and instructions in this Guide. Failure to follow warnings and instructions can result in severe injury, death, or property damage.

Call (800) 831-7133, or visit [www.pentair.com](http://www.pentair.com), for additional free copies of these instructions.



**SERIOUS BODILY INJURY OR DEATH CAN RESULT IF THIS PRODUCT IS NOT INSTALLED AND USED CORRECTLY.**



**INSTALLERS, POOL OPERATORS AND POOL OWNERS MUST READ THESE WARNINGS AND ALL INSTRUCTIONS BEFORE USING THE HEATER.**



**Most state and local codes regulate the construction, installation, and operation of public pools and spas, and the construction of residential pools and spas. It is important to comply with these codes, many of which directly regulate the installation and use of this product. Consult your local building and health codes for more information.**



**Failure to follow instructions could result in fire or explosion, which may result in serious injury or property damage.**



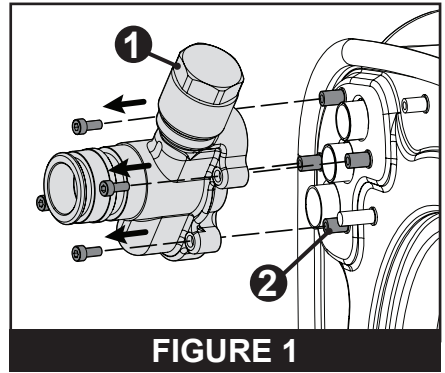
**This kit MUST be installed by a qualified service professional in accordance with the manufacturer's instructions and all applicable codes and requirements of the authority having jurisdiction. The information in this guide must be followed to minimize the risk of fire or explosion and to prevent property damage, personal injury, or death. The qualified service professional is responsible for proper installation of this kit. Installation is not complete until operation of the heater is checked as directed in this guide.**

# REMOVING THE EXISTING INLET / OUTLET ASSEMBLY

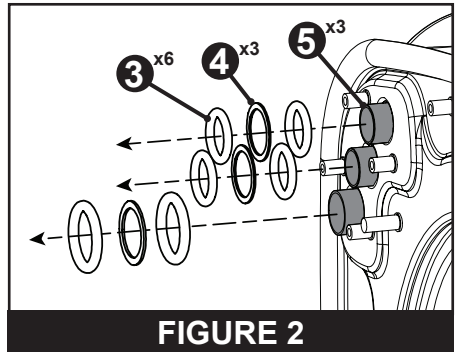
1. Disconnect all power to the heater, filtration pump and any automatic controls at the circuit breaker.
2. Remove the service panel from the control panel side of the heater.
3. Disconnect the water line from the *Inlet/Outlet Assembly (1)*.

**Note:** The top connection is the outlet and the bottom connection is the inlet.

4. Remove the four 3 mm hex-head screws securing the *Inlet/Outlet Assembly (1)* to the *Heat Exchanger (2)*. Refer to **FIGURE 1**.
5. Pull the *Inlet/Outlet Assembly (1)* away from the heat exchanger and remove it.
6. Remove the *O-rings (3)* and *Washers (4)* from each of the three *Inlet/Outlet Tubes (5)*. Refer to **FIGURE 2**.



**FIGURE 1**



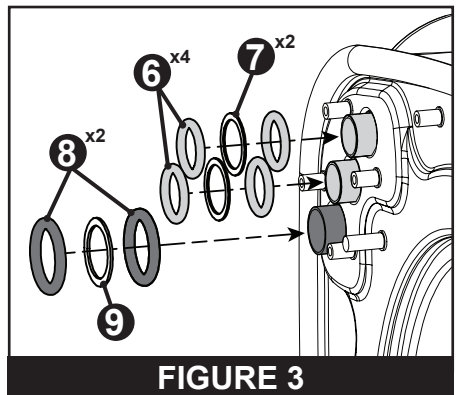
**FIGURE 2**

# INSTALLING THE NEW INLET / OUTLET ASSEMBLY

1. Locate the six black O-rings, three washers and the packet of O-ring lubricant provided in this kit.

**Note:** Separate the four *Small O-rings (6)* and two *Small Washers (7)* from the others.

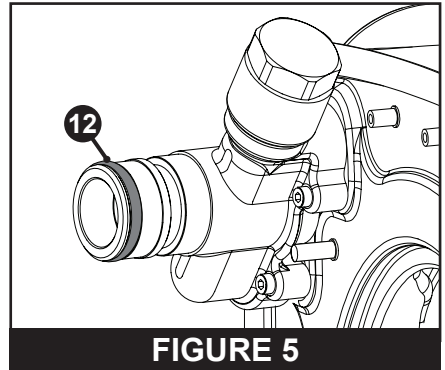
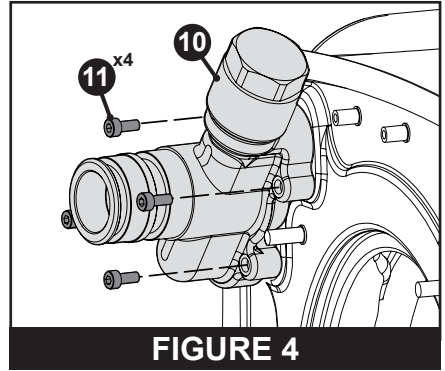
2. Apply a thin coating of lubricant to each O-ring. Do NOT lubricate the Washers.
3. Install a *Small O-Ring (6)* onto each of the smaller inlet/outlet tubes.
4. Install a *Small Washer (7)* and a second *Small O-ring (6)* onto the same inlet/outlet tubes.
5. Install a *Large O-Ring (8)* onto the larger inlet/outlet tube.
6. Install a *Large Washer (9)* and a second *Large O-ring (8)* onto the same inlet/outlet tube.



**FIGURE 3**

## INSTALLING THE NEW INLET / OUTLET ASSEMBLY (cont.)

7. Press the *Inlet/Outlet Assembly (10)* onto the inlet/outlet tubes until it rests flat against heat exchanger. Refer to **FIGURE 4**.
8. Install all four *3 mm Hex-Head Screws (11)* and secure the *Inlet/Outlet Assembly (10)* to the heat exchanger.
9. Locate the orange O-ring provided with this kit.
10. Apply a generous coating of lubricant to the O-ring
11. Install the *Orange O-ring (12)* onto the *Inlet/Outlet Assembly (10)* as shown in **FIGURE 5**.
12. Reconnect the water line to the *Inlet/Outlet Assembly (10)*.
13. Reinstall the service panel.
14. Reestablish power to the heater, filtration pump and automatic controls at the circuit breaker.
15. Refer to the *UltraTemp ETi Installation and User's Guide (P/N 475922)* for instructions regarding system startup and operation.





1620 HAWKINS AVE., SANFORD, NC 27330 • (919) 566-8000  
10951 WEST LOS ANGELES AVE., MOORPARK, CA 93021 • (805) 553-5000

All indicated Pentair trademarks and logos are property of Pentair. Third party registered and unregistered trademarks and logos are the property of their respective owners.

© 2022 Pentair. All rights reserved. [WWW.PENTAIR.COM](http://WWW.PENTAIR.COM)



P/N 476470 REV. A 10/10/22