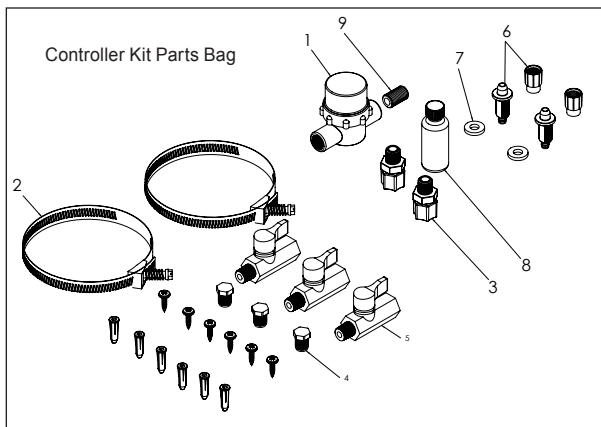


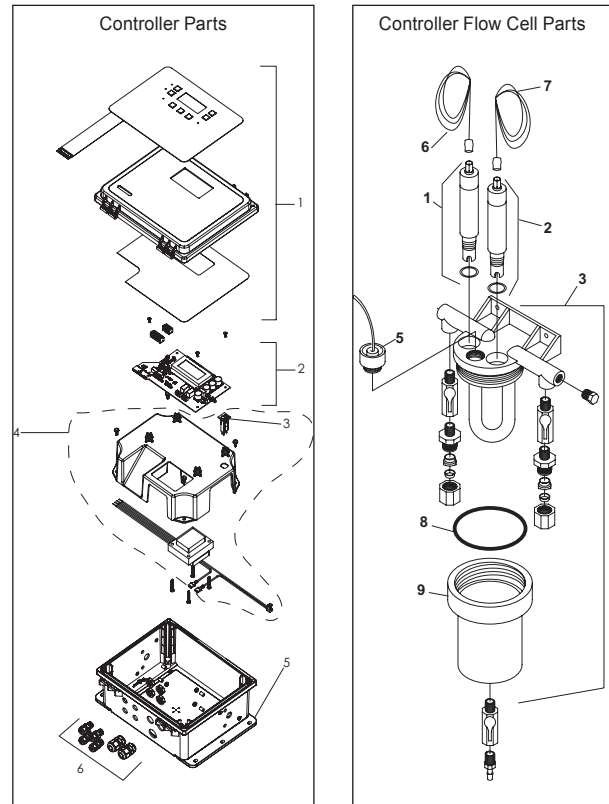
COMMERCIAL INTELLICHEM® CHEMICAL CONTROLLER REPLACEMENT PARTS

Item	Part No.	Description
INTELLICHEM CONTROLLER REPLACEMENT PARTS		
1	523146	Top Half (Lid w/overlay and wiring diagram)
2	523004Z	Controller Circuit Board
3	8520031Z	Circuit Breaker
	523228	Protocol Adapter
	523117	Transceiver Case
4	521467Z	Enclosure Mounting Brackets
5	521468Z	Strain Relief Kit
6	521335Z	Transformer with Mounting Plate
INTELLICHEM FLOW CELL REPLACEMENT PARTS		
1	522186	pH Sensor (1-year warranty)
2	522187	ORP Sensor (1-year warranty)
3	754000310	Flow Cell with Flow Switch
4	521342Z	Parts Bag
5	754000440	Flow Switch with Magnet
	754000410	Magnet for Flow Switch
	522623	External Flow Switch Kit, 3ft.
	522624	External Flow Switch Kit, 10ft.
6	744000290	Cable for pH Sensor, 3 ft.
7	744000360	Cable for ORP Sensor 3 ft.
8	754000350	O-Ring for Flow Jar
9	754000340	Jar for Flow Cell
CONTROLLER KIT PARTS BAG CONTENTS		
1	522010Z	Inline Filter
2	522347Z	Bypass Clamp (replaces R172034)
3	606000100Z	Fitting 3/8" Tube x 1/4" NPT
4	620000040Z	Plug 1/4" NPT
5	622000080Z	Ball Valve 1/4" NPT
6	R172032Z	Fitting 3/8" Tube to Bypass Clamp
7	R172033Z	Rubber Gasket for Bypass Clamp
8	R172036Z	O-Ring Lubricant
9	620000130Z	Nipple 1/4" NPT



Item	Part No.	Description
OPTIONAL ACCESSORIES		
	523492Z	Stenner 50 GPD External Pump
	523493	Stenner Pump Tube - 2 Pack
	523494	Stenner Pump Tube - 5 Pack
	522384	20 ft - 1/4 in Black Tubing for Chemical Injection with Labels
	522446	100 ft - 1/4 in Black Tubing for Chemical Injection with Labels
	714000070	CO2 Kit with Diffuser, Solenoid, Regulator
	521622	IntelliChem Winterizing Kit
	522009	Injection Kit (Injection Check Valve)
	521511	Saddle Clamp for 1-1/2-in Pipe (Required Check Valve)
	521512	Saddle Clamp for 2-in Pipe (Required Check Valve)
INTELLICHEM TITLE-22 REPLACEMENT PARTS		
	523537Z	Upgrade Kit
	523470Z	Daughter Circuit Board
	523525Z	Controller Circuit Board

*Pentair recommends replacing peristaltic pump tubes every 6 months



CALIFORNIA PROPOSITION 65 WARNING
 ⚠️ **WARNING:** Cancer and Reproductive Harm.
 ⚠️ **AVERTISSEMENT:** Peut Causer le Cancer et des Dommages au Système Reproducteur.
 ⚠️ **ADVERTENCIA:** Cáncer y Daño Reproductor.
www.p65warnings.ca.gov PN 20214A