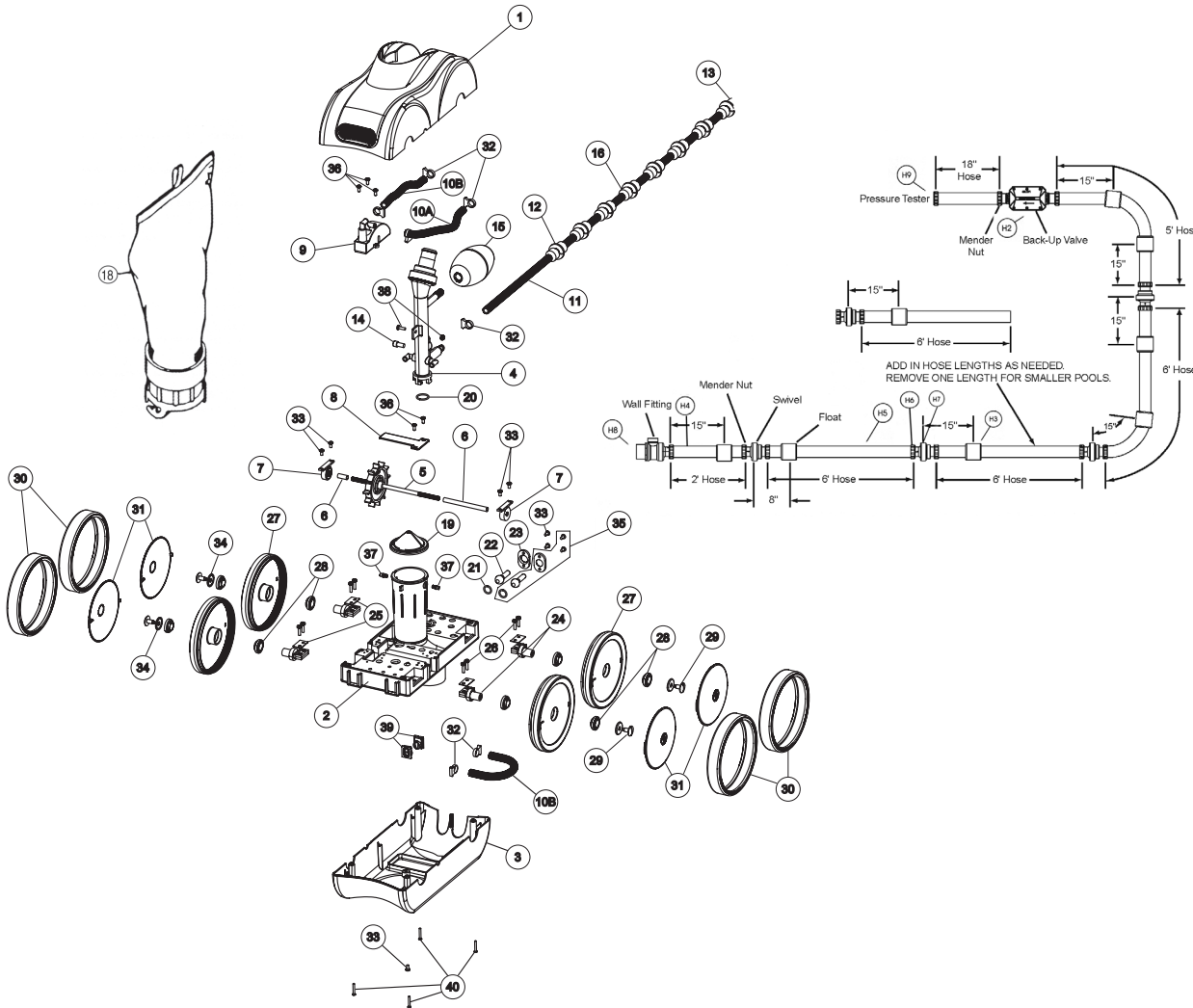


KREEPY KRAULY® LEGEND® II

LX5000G AND LX5000GG CLEANER REPLACEMENT PARTS



| Item | Part No. | Qty. | Description |
|--|----------|------|-------------|
| KREEPY KRAULY LEGEND II REPLACEMENT PARTS | | | |

| | | | |
|---|---------|---|-----------------------------------|
| 1 | 360003 | 1 | Top Cover |
| 2 | LXU145N | 1 | Main Frame |
| 2 | 360016 | 1 | Main Frame Grey |
| 3 | 360004 | 1 | Bottom Cover |
| 3 | 360011 | 1 | Bottom Cover Grey |
| 4 | LXU6 | 1 | Feed Mast w/ O-Ring & Swivel Grey |
| 4 | 360017 | 1 | Feed Mast w/ O-Ring & Swivel |
| 5 | EC86 | 1 | Turbine Drive Shaft - Complete |
| 6 | EC83 | 2 | Turbine Spacers |
| 7 | EC80 | 2 | Turbine Bearings |
| 8 | EA40 | 1 | Turbine Shaft Shield |
| 9 | LXC110 | 1 | Turbine Cover w/Elbows |

| | | | |
|---------|-------|-------|---------------------------------------|
| 10A & B | EC120 | 2 & 1 | Turbine/Venturi Hose 7-3/4 in. length |
|---------|-------|-------|---------------------------------------|

| | | | |
|---------|---------|-------|--|
| 10A & B | LLC120G | 2 & 1 | Turbine/Venturi Hose 7-3/4 in. length - Grey |
|---------|---------|-------|--|

| | | | |
|----|---------|---|---|
| 11 | EB5L | 1 | Sweep Hose - Complete |
| 11 | LLB5G | 1 | Sweep Hose - Complete - Grey |
| 12 | EB10 | 9 | Sweep Hose - Wear Ring |
| 13 | EB25 | 1 | Sweep Hose - Jet w/Collar |
| 13 | LLB25PM | 1 | Sweep Hose - Jet w/ Collar - Grey |
| 14 | 370198 | 1 | Sweep Hose Adjustment Screw |
| 15 | EA20 | 1 | Ballast Float |
| 15 | LLA20G | 1 | Ballast Float - Grey |
| 16 | EH07 | 4 | Sweep Hose - Hose Sleeve |
| 16 | LLH07PM | 4 | Sweep Hose - Hose Sleeve - Grey |
| 17 | EU15 | 1 | Coarse Mesh Bag-Blue (Optional - not shown) |
| 17 | EU15G | 1 | Coarse Mesh Bag- Blue/ Grey Collar (Optional - not shown) |

KREEPY KRAULY® LEGEND® II (CONT'D)

LX5000G AND LX5000GG CLEANER REPLACEMENT PARTS

| Item | Part No. | Qty. | Description |
|--|----------|------|---|
| KREEPY KRAULY LEGEND II REPLACEMENT PARTS | | | |
| 18 | 360002 | 1 | Fine Mesh Bag - Mechanical Lock |
| 18 | 360009 | 1 | Fine Mesh Bag Grey - Mechanical Lock |
| 18 | EU16 | 1 | Fine Mesh Bag - Velcro Brand Fastener |
| 18 | EU16G | 1 | Fine Mesh Bag - Velcro Brand Fastener - Grey |
| 19 | EU9 | 1 | Debris Valve |
| 20 | EU7 | 1 | O-ring for Feed Mast |
| 21 | E18 | 1 | O-ring for Thrust Jet |
| 22 | EC130 | 1 | Thrust Jet |
| 23 | EC135 | 1 | Thrust Jet - Plate |
| 23 | LLC135G | 1 | Thrust Jet - Plate - Grey |
| 24 | EC65 | 4 | Axle - Large Wheels |
| 25 | EC70 | 4 | Axle Plate |
| 26 | 370258Z | 8 | Axle Screw w/ Lock Washer |
| 27 | 360006 | 4 | Wheel w/o Bearings |
| 28 | EC60 | 8 | Wheel Bearings - Only |
| 29 | EC55 | 4 | Wheel Screw - Plastic |
| 29 | LLC55PM | 4 | Wheel Screw - Plastic - Grey |
| 30 | 360007 | 4 | Wheel - Rubber Tire |
| 30 | 360012 | 4 | Wheel - Grey Tire |
| 31 | 360005 | 4 | Hub Cap |
| 31 | 360013 | 4 | Hub Cap - Grey |
| 32 | EB15 | 7 | Hose Clamp |
| 33 | EC40 | 7 | Screw |
| 34 | EC64 | 4 | Wheel - Plastic Washer |
| 35 | EC131 | 1 | Thrust Jet Repair Kit, includes: EC130, EC135 and E18 |
| 35 | 360014 | 1 | Thrust Jet Repair Kit - Grey, includes: EC130, LLC135 and E19 |
| 36 | EA30 | 5 | Screw for EA40 and LXC110 |
| 37 | EU147 | 2 | Snap Fit Vac Tube Posts |
| 37 | LLU147G | 2 | Snap Fit Vac Tube Posts - Grey |
| 38 | EU79 | 1 | Nut & Bolt - Feed Mast to Vac Tube |
| 39 | LXU8 | 2 | Venturi Jets |
| 40 | EU80 | 4 | Screw - Top and Bottom Cover |
| 41 | 370017 | 1 | Sweep Hose - Scrubber |
| - | EH09C | 1 | Sweep Hose Weight (Optional - not shown) |

| Item | Part No. | Qty. | Description |
|-------------------------------|----------|------|--|
| LX10 REPLACEMENT PARTS | | | |
| H2 | LX10 | 1 | Back-Up Valve - Low Pressure |
| H2 | 360018 | 1 | Back-Up Valve - Low Pressure - Grey |
| H2 | E15 | 6 | Back-Up Valve - Screw Housing Body |
| Inside H2 | E13 | 1 | Back-Up Valve - Housing O-Ring |
| Inside H2 | E14 | 1 | Back-Up Valve - O-Ring Gear Assembly |
| Inside H2 | LX16 | 1 | Back-Up Valve - Gear Assembly |
| H3 | LXD10 | 7 | Feed Hose Float - White |
| H3 | 360019 | 7 | Feed Hose Float - Grey |
| H4 | LX18 | 1 | Feed Hose - White - 2 ft. Section |
| H4 | 360021 | 1 | Feed Hose - Grey - 2 ft. Section |
| H5 | LX17 | 4 | Feed Hose - White - 6 ft. Section |
| H5 | 360020 | 4 | Feed Hose - Grey - 6 ft. Section |
| H6 | LX20 | 12 | Feed Hose Mender - White w/ O-ring #0252 |
| H6 | 360022 | 12 | Feed Hose Mender - Grey w/ O-ring #0253 |
| H7 | LX19 | 4 | Feed Hose Swivel - White |
| H7 | 360023 | 4 | Feed Hose Swivel - Grey |
| H8 | LXW22 | 1 | Wall Fitting Complete - White |
| H8 | 360024 | 1 | Wall Fitting Complete - Grey |
| Inside H8 | E23 | 1 | Wall Fitting Adapter - White |
| Inside H8 | LL23PM | 1 | Wall Fitting Adapter - Grey |
| Inside H8 | E21 | 2pk | Wall Fitting O-ring |
| Inside H8 | E24 | 1 | Wall Fitting Screen |
| Inside H8 | LX25 | 1 | Wall Fitting - Valve Assembly - White |
| Inside H8 | 360025 | 1 | Wall Fitting - Valve Assembly - Grey |
| H9 | LX26 | 1 | Pressure Tester |
| ACCESSORIES | | | |
| | EH09C | 1 | Sweep Hose Weight (optional) |
| | LX509 | | Feed Hose Complete - Grey |
| | LX209 | | Feed hose Complete - White |