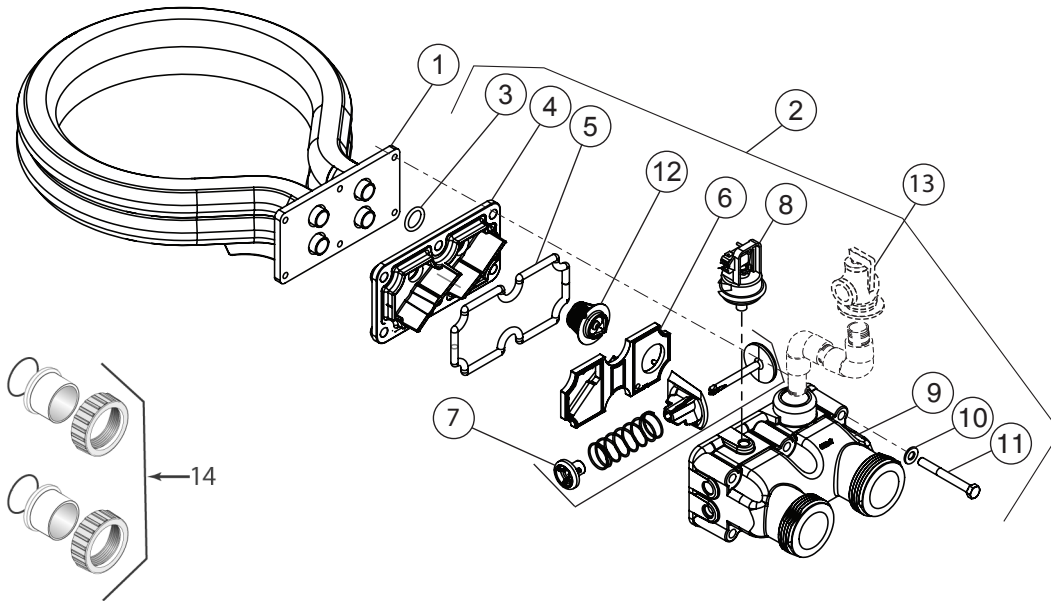


MASTERTEMP® 125 HEATER

WATER SYSTEM REPLACEMENT PARTS



Item	Part No.	Description
WATER SYSTEM		
1	474971	Tube Sheet Coil Assembly Kit - Includes Item #3. (NA, LP Series)
2	474972	Manifold Kit (Includes Item #3, #4, #5, #6, #7, #9, #10, & #11; Item #8 and #13 not included)
3	474973	Coil/Tubesheet Sealing O-Ring Kit
4		Manifold Bottom Plate *
5		Manifold O-Ring *
6		Manifold Baffle Plate *
7		Manifold Bypass Valve *
8	42001-0060S	Water Pressure Switch
9		Manifold *
10		5/16" Washer, S.S. *
11		5/16 x 18 x 2-3/4" Hex Cap Screw *
12	474989	Thermal Regulator
13	473715Z	Pressure Relief Valve (Recommended-Purchased Separately)
14	474974	Union 1-1/2" Kit

Note: Kits include: O-Rings, Insulation, Igniter and Blower Gaskets.

* Not available separately. See item #2.