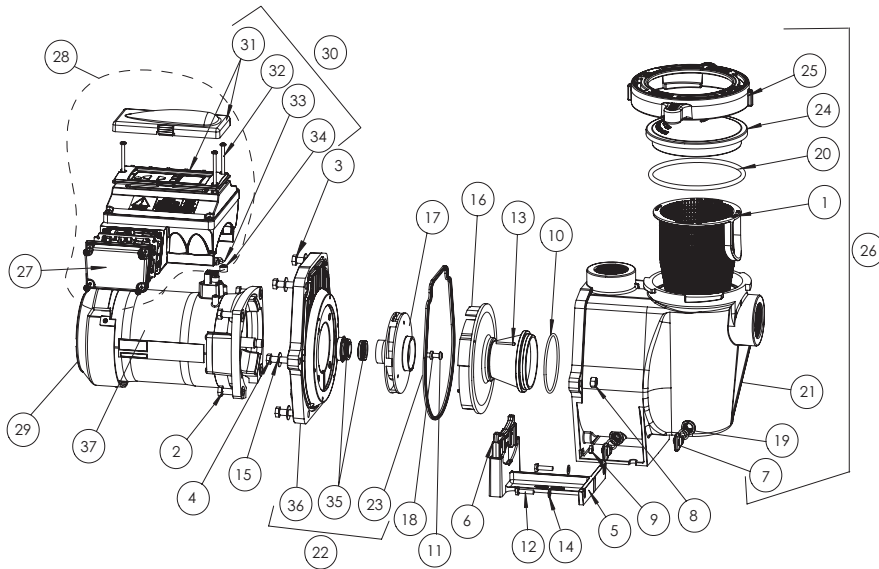


INTELLIPRO® VS+SVRS PUMP - BEFORE JUNE 2016

REPLACEMENT PARTS



Item	Part No.	Description
INTELLIPRO VS+SVRS PUMP		
1	070387	Basket WF
2	070429	Bolt hex HD, 2-56 x .875 S/S, 4 req.
3	070430	Bolt, 3/8-16 x 1-1/4 hex cap 18-8 S/S, 4 req.
4	070431	Bolt, 3/8-16 x 2 hex cap 18-8 S/S, 2 req.
5	357159	Foot WF, pump motor support, black
6	357160	Foot insert WF pump, black
7	357161	Plug drain WFE, black, 2 req.
8	071403	Nut, 3/8-16 brass nickel plated, 2 req.
9	071406	Nut, 1/4-20 hex S/S, 2 req.
10	355227	O-ring #238, 3.484 x .139, buna N 70
11	071652	Screw, 1/4, 20 x 1 LH phillips pan MS 18-8 S/S, 1 req.
12	071657	Screw, 1/4-20 x 1 in. hex cap 18-8 S/S, 2 req.
13	071660	Screw set, 4-40 x 1-1/8 WFE sckt cap 18-8 S/S, 2 req.
14	072183	Washer, flat 1/4 x 5/8 20GA thick 18-8 S/S, 2 req.
15	072184	Washer, 3/8 ID x 7/8 OD .05 thick 18-8 S/S, 6 req.
16	072928	Diffuser assembly, black
17	073131	Impeller, IntelliPro VS+SVRS
18	075713	Rubber washer, WFE pump, 1 req.
19	192115	O-ring 112, .487 x .103 buna -N 70, 2 req.
20	350013	O-ring lid CH/WF 2-436, 1 req.
21	357157	Housing WFE, black
22	350203	Seal plate kit, black w/ gasket (Items 23, 35, 36)
23	357100	Black Gasket for Seal plate
24	357151	Lid, see thru WF.
24	357156	Lid, Chemical Resistant
25	357150	Clamp cam & ramp WF, black

Item	Part No.	Description
26	357244	Pot WF assy., black [contains 1, 7 qty. 2], 19 [qty. 2], 20, 21, 24, 25
27	350310	Junction Box Cover - Black
28	353250	IntelliPro VS+SVRS Drive Kit - Contains Drive and Control Cover Assy.
29	352501	Motor fan kit, black [contains fan, shroud, hardware].
30	350701	Drive Control Cover assembly kit, black [contains drive lid, screws, spacer caps, items 31, 32 (qty. 3), 33, 34 (qty. 3)] ¹
30	401100	Drive Control Cover assembly kit, black [contains drive lid, screws, spacer caps, items 31, 32 (qty. 3), 33, 34 (qty. 3)] ²
31	401101	Control cover assembly (not sold individually - order assy kit item 30)
32	350107	Screw 10-24 x 3 3/4 in. PH MS 18-8 s/s [qty. 3]
33	350108	IntelliPro drive gasket
34	350142	Spacer cap [qty. 3]
35	071734S	Seal Kit
36	357158	Seal Plate - black
37	357294S	Motor VFD 3.2KW PMSM replacement, black
NOT SHOWN		
	350122	50 ft. Communication Cable
	347910	Black Volute/Seal plate Replacement Kit (Items 1, 7 (qty. 2), 19 (Qty 2), 20, 21, 22, 23, 24, 25)
	350612	Hardware/gasket assy. kit [contains 3 screws, 3 spacer caps and drive gasket]
	357603	Union Kit [contains 2 complete unions for one pump, not included with pump].
	350101	Seal plate kit without gasket (Items 35 and 36)
	350198	Seal Plate Kit (ozone/salt resistant)

¹ Used on pumps manufactured before 3/20/2013

² Used on pumps manufactured after 3/20/2013

³ Contact factory for IntelliPro VS+SVRS