



BOOST-RITE™
UNIVERSAL BOOSTER PUMP



INSTALLATION AND
USER'S GUIDE

IMPORTANT SAFETY INSTRUCTIONS
READ AND FOLLOW ALL INSTRUCTIONS
SAVE THESE INSTRUCTIONS

CUSTOMER SERVICE / TECHNICAL SUPPORT

If you have questions about ordering Pentair Aquatic Systems, Inc. replacement parts, and pool products, please contact:

Customer Service and Technical Support, USA

(8 A.M. to 4:30 P.M. — Eastern/Pacific Times)

Phone: (800) 831-7133

Fax: (800) 284-4151

Web site

Visit www.pentairpool.com or www.staritepool.com

Sanford, North Carolina (8 A.M. to 4:30 P.M. ET)

Phone: (919) 566-8000

Fax: (919) 566-8920

Moorpark, California (8 A.M. to 4:30 P.M. PT)

Phone: (805) 553-5000 (Ext. 5591)

Fax: (805) 553-5515

TABLE OF CONTENTS

Important Pump Warning and Safety Instructions	ii	Electrical Wiring	5
Pump Overview	1	Connecting to AC Power Source	5
Overview and Features	1	Wiring the Pump for 230 VAC	6
Electrical Specifications	1	Wiring the Pump for 115 VAC	6
Pump Dimensions	1	Operation	7
Installation	2	Starting the Pump	7
Location	2	Automatic Timer	7
Piping	2	Maintenance	8
Typical Installation	2	Winterizing and Start Up	8
Installation with a Heater	3	Motor Care	8
Installation with a Solar Heater	3	Troubleshooting	9
Installation with Pool and Spa Combination	3	Replacement Parts	10
Installing the Pump Hoses	4	Illustrated Parts List	10
		Performance Curves	11

IMPORTANT PUMP WARNING AND SAFETY INSTRUCTIONS



IMPORTANT NOTICE

This guide provides installation and operation instructions for this product. Consult Pentair with any questions regarding this equipment.

Attention Installer: This guide contains important information about the installation, operation and safe use of this product. This information should be given to the owner and/or operator of this equipment after installation or left on or near the pump.

Attention User: This manual contains important information that will help you in operating and maintaining this product. Please retain it for future reference. Warnings and safety instructions for Pentair Aquatic Systems pumps and other related products are available at:

<http://www.pentairpool.com/pool-owner/safety-warnings/> or call (800) 831-7133 for additional free copies of these instructions.

READ AND FOLLOW ALL INSTRUCTIONS SAVE THESE INSTRUCTIONS



This is the safety alert symbol. When you see this symbol on your system or in this manual, look for one of the following signal words and be alert to the potential for personal injury.

⚠ DANGER

Warns about hazards that can cause death, serious personal injury, or major property damage if ignored.

⚠ WARNING

Warns about hazards that may cause death, serious personal injury, or major property damage if ignored.

⚠ CAUTION

Warns about hazards that may or can cause minor personal injury or property damage if ignored.

NOTE indicates special instructions not related to hazards.

Carefully read and follow all safety instructions in this manual and on equipment. Keep safety labels in good condition; replace if missing or damaged.

When installing and using this electrical equipment, basic safety precautions should always be followed, include the following:

⚠ WARNING Do not permit children to use this product.

⚠ WARNING **RISK OF ELECTRICAL SHOCK.** Connect only to a branch circuit protected by a ground-fault circuit-interrupter (GFCI). Contact a qualified electrician if you cannot verify that the circuit is protected by a GFCI.

⚠ WARNING This unit must be connected only to a supply circuit that is protected by a ground-fault circuit-interrupter (GFCI). Such a GFCI should be provided by the installer and should be tested on a routine basis. To test the GFCI, push the test button. The GFCI should interrupt power. Push the reset button. Power should be restored. If the GFCI fails to operate in this manner, the GFCI is defective. If the GFCI interrupts power to the pump without the test button being pushed, a ground current is flowing, indicating the possibility of an electric shock. Do not use this pump. Disconnect the pump and have the problem corrected by a qualified service representative before using.

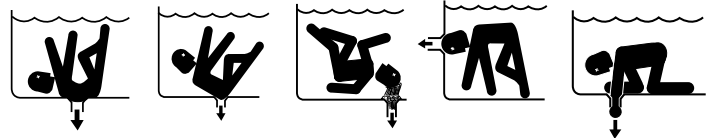
⚠ CAUTION This pump is for use with permanent swimming pools and may also be used with hot tubs and spas if so marked. Do not use with storable pools. A permanently-installed pool is constructed in or on the ground or in a building such that it cannot be readily disassembled for storage. A storable pool is constructed so that it is capable of being readily disassembled for storage and reassembled to its original integrity.

General Warnings

- Never open the inside of the drive motor enclosure. There is a capacitor bank that holds a 230 VAC charge even when there is no power to the unit.
- The pump is not submersible.
- The pump is capable of high flow rates; use caution when installing and programming to limit pumps performance potential with old or questionable equipment.
- Code requirements for the electrical connection differ from state to state. Install equipment in accordance with the current National Electrical Code and all applicable local codes and ordinances.
- Before servicing the pump; switch OFF power to the pump by disconnecting the main circuit to the pump.
- This appliance is not intended for use by persons (including children) of reduced physical, sensory or mental capabilities, or lack of experience and knowledge, unless they have been given supervision or instruction concerning the use of the appliance by a person responsible for their safety.

⚠ DANGER FAILURE TO FOLLOW ALL INSTRUCTIONS AND WARNINGS CAN RESULT IN SERIOUS BODILY INJURY OR DEATH. **THIS PUMP SHOULD BE INSTALLED AND SERVICED ONLY BY A QUALIFIED POOL SERVICE PROFESSIONAL. INSTALLERS, POOL OPERATORS AND OWNERS MUST READ THESE WARNINGS AND ALL INSTRUCTIONS IN THE OWNER'S MANUAL BEFORE USING THIS PUMP. THESE WARNINGS AND THE OWNER'S MANUAL MUST BE LEFT WITH THE POOL OWNER.**

⚠ DANGER SUCTION ENTRAPMENT HAZARD: STAY OFF THE MAIN DRAIN AND AWAY FROM ALL SUCTION OUTLETS!



THIS PUMP PRODUCES HIGH LEVELS OF SUCTION AND CREATES A STRONG VACUUM AT THE MAIN DRAIN AT THE BOTTOM OF THE BODY OF WATER. THIS SUCTION IS SO STRONG THAT IT CAN TRAP ADULTS OR CHILDREN UNDER WATER IF THEY COME IN CLOSE PROXIMITY TO A DRAIN OR A LOOSE OR BROKEN DRAIN COVER OR GRATE.

⚠ DANGER **RISK OF ELECTRICAL SHOCK OR ELECTROCUTION: PUMPS REQUIRE HIGH VOLTAGE WHICH CAN SHOCK, BURN, OR CAUSE DEATH. BEFORE WORKING ON PUMP!** Always disconnect power to the pool pump at the circuit breaker from the pump before servicing the pump. Failure to do so could result in death or serious injury to service person, pool users or others due to electric shock.



THE USE OF UNAPPROVED COVERS OR ALLOWING USE OF THE POOL OR SPA WHEN COVERS ARE MISSING, CRACKED OR BROKEN CAN RESULT IN BODY OR LIMB ENTRAPMENT, HAIR ENTANGLEMENT, BODY ENTRAPMENT, Evisceration AND/OR DEATH.

The suction at a drain or outlet can cause:

Limb Entrapment: When a limb is sucked or inserted into an opening resulting in a mechanical bind or swelling. This hazard is present when a drain cover is missing, broken, loose, cracked or not properly secured.

Hair Entanglement: When the hair tangles or knots in the drain cover, trapping the swimmer underwater. This hazard is present when the flow rating of the cover is too small for the pump or pumps.

IMPORTANT PUMP WARNING AND SAFETY INSTRUCTIONS

Body Entrapment: When a portion of the body is held against the drain cover trapping the swimmer underwater. This hazard is present when the drain cover is missing, broken or the cover flow rating is not high enough for the pump or pumps.

Evisceration/Disembowelment: When a person sits on an open pool (particularly a child wading pool) or spa outlet and suction is applied directly to the intestines, causing severe intestinal damage. This hazard is present when the drain cover is missing, loose, cracked, or not properly secured.

Mechanical Entrapment: When jewelry, swimsuit, hair decorations, finger, toe or knuckle is caught in an opening of an outlet or drain cover. This hazard is present when the drain cover is missing, broken, loose, cracked, or not properly secured.

NOTE: ALL SUCTION PLUMBING MUST BE INSTALLED IN ACCORDANCE WITH THE LATEST NATIONAL AND LOCAL CODES, STANDARDS AND GUIDELINES.

WARNING TO MINIMIZE THE RISK OF INJURY DUE TO SUCTION ENTRAPMENT HAZARD:

- A properly installed and secured ANSI/ASME A112.19.8 approved anti-entrapment suction cover must be used for each drain.
- Each suction cover must be installed at least three (3') feet apart, as measured from the nearest point to nearest point.
- Regularly inspect all covers for cracks, damage and advanced weathering.
- If a cover becomes loose, cracked, damaged, broken or is missing, replace with an appropriate certified cover.
- Replace drain covers as necessary. Drain covers deteriorate over time due to exposure to sunlight and weather.
- Avoid getting hair, limbs or body in close proximity to any suction cover, pool drain or outlet.
- Disable suction outlets or reconfigure into return inlets.

WARNING A clearly labeled emergency shut-off switch for the pump must be in an easily accessible, obvious place. Make sure users know where it is and how to use it in case of emergency.

The Virginia Graeme Baker (VGB) Pool and Spa Safety Act creates new requirements for owners and operators of commercial swimming pools and spas.

Commercial pools or spas constructed on or after December 19, 2008, shall utilize:

(A) A multiple main drain system without isolation capability with suction outlet covers that meet ASME/ANSI A112.19.8a Suction Fittings for Use in Swimming Pools, Wading Pools, Spas, and Hot Tubs and either:

- (i) A safety vacuum release system (SVRS) meeting ASME/ANSI A112.19.17 Manufactured Safety Vacuum Release systems (SVRS) for Residential and Commercial Swimming Pool, Spa, Hot Tub, and Wading Pool Suction Systems and/or ASTM F2387 Standard Specification for Manufactured Safety Vacuum Release Systems (SVRS) for Swimming pools, Spas and Hot Tubs or
- (ii) A properly designed and tested suction-limiting vent system or
- (iii) An automatic pump shut-off system.

Commercial pools and spas constructed prior to December 19, 2008, with a single submerged suction outlet shall use a suction outlet cover that meets ASME/ANSI A112.19.8a and either:

- (A) A SVRS meeting ASME/ANSI A112.19.17 and/or ASTM F2387, or
- (B) A properly designed and tested suction-limiting vent system, or
- (C) An automatic pump shut-off system, or
- (D) Disabled submerged outlets, or
- (E) Suction outlets shall be reconfigured into return inlets.

For Installation of Electrical Controls at Equipment Pad (ON/OFF Switches, Timers and Automation Load Center)

CAUTION



Install all electrical controls at equipment pad, such as on/off switches, timers, and control systems, etc. to allow the operation (startup, shut-down, or servicing) of any pump or filter so the user does not place any portion of his/her body over or near the pump strainer lid, filter lid or valve closures. This installation should allow the user enough space to stand clear of the filter and pump during system start-up, shut down or servicing of the system filter.

DANGER



HAZARDOUS PRESSURE: STAND CLEAR OF PUMP AND FILTER DURING START UP

Circulation systems operate under high pressure. When any part of the circulating system (i.e. locking ring, pump, filter, valves, etc.) is serviced, air can enter the system and become pressurized.

Pressurized air can cause the pump housing cover filter lid and valves to violently separate which can result in severe personal injury or death. Filter tank lid and strainer cover must be properly secured to prevent violent separation. Stand clear of all circulation system equipment when turning on or starting up pump.

Before servicing equipment, make note of the filter pressure. Be sure that all controls are set to ensure the system cannot inadvertently start during service. Turn off all power to the pump. **IMPORTANT: Place filter manual air relief valve in the open position and wait for all pressure in the system to be relieved.**

Before starting the system, fully open the manual air relief valve and place all system valves in the "open" position to allow water to flow freely from the tank and back to the tank. Stand clear of all equipment and start the pump. **IMPORTANT: Do not close filter manual air relief valve until all pressure has been discharged from the valve and a steady stream of water appears.** Observe filter pressure gauge and be sure it is not higher than the pre-service condition.

General Installation Information

- All work must be performed by a qualified service professional, and must conform to all national, state, and local codes.
- Install to provide drainage of compartment for electrical components.
- These instructions contain information for a variety of pump models and therefore some instructions may not apply to a specific model. All models are intended for use in swimming pool applications. The pump will function correctly only if it is properly sized to the specific application and properly installed.

WARNING

Pumps improperly sized or installed or used in applications other than for which the pump was intended can result in severe personal injury or death. These risks may include but not be limited to electric shock, fire, flooding, suction entrapment or severe injury or property damage caused by a structural failure of the pump or other system component.

WARNING

The pump can produce high levels of suction within the suction side of the plumbing system. These high levels of suction can pose a risk if a person comes within the close proximity of the suction openings. A person can be seriously injured by this high level of vacuum or may become trapped and drown. It is absolutely critical that the suction plumbing be installed in accordance with the latest national and local codes for swimming pools.

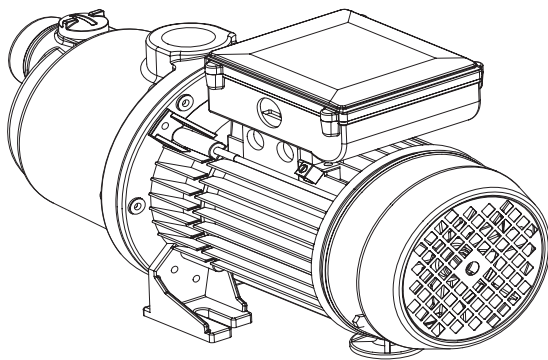
SAVE THESE INSTRUCTIONS

PUMP OVERVIEW

Overview

The Boost-Rite™ Universal Booster Pump provides high pressure water to your pressure side automatic pool cleaner. This booster pump is **not self-priming** and should not run unless the filter pump is running.

- 1.1 HP booster pump
- Provides 50 psi at 13.2 GPM.
- Made from durable, corrosion-proof materials.
- Hose and adapters included.
- Ideal replacement for pressure-side booster pumps.



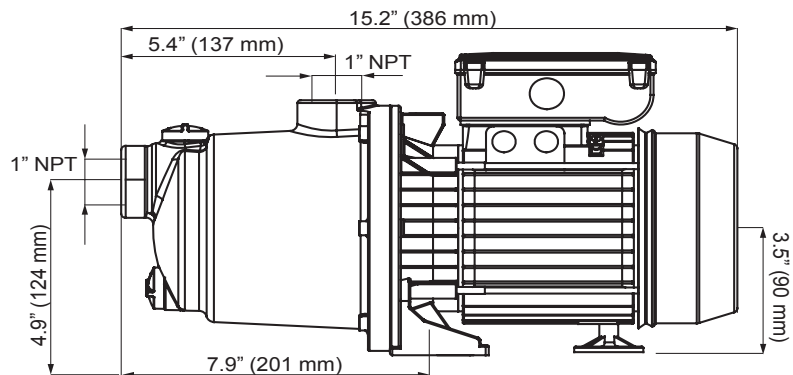
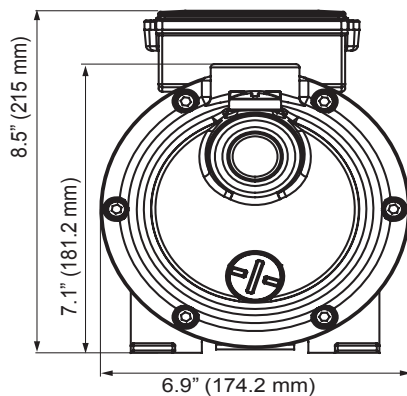
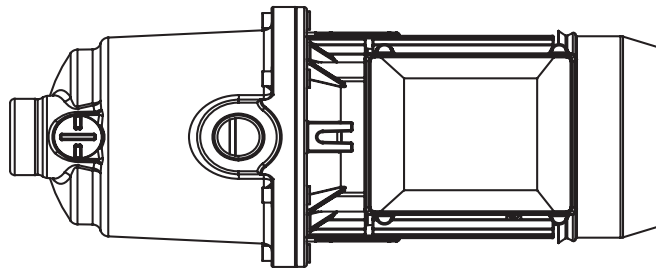
Boost-Rite Universal Booster Pump

Electrical Specifications

Motor: 115/230 VAC, 60 Hz, 1 Phase, Two-pole motor, 1.1 HP / 10.2-5.1 A.

Max Ambient Temperature.....	122°F / 50°C
Max Water Temperature.....	104°F / 40°C
Max Salt Content in Water.....	0.4%
pH-Range.....	4-9
Protection Type.....	IP44
Insulation Class.....	F
Revolutions per Minute (RPM)....	3450
Max Noise Level.....	75dB(A)
Motor Frame.....	IEC 71 TEFC
Phases.....	Single Phase
Inlet/Outlet Thread.....	1" NPT
Hydraulic Design.....	5 Stage

Pump Dimensions



INSTALLATION

Only qualified service professionals should install the Boost-Rite™ Booster Pump. Refer to "Important Warning and Safety Instructions" on pages ii-iv for safety information.

Location

1. Always connect the booster pump to a return line on the discharge side of filter.
2. Install the pump as close to the pool or spa as possible. To reduce friction loss and improve efficiency, use short, direct suction and discharge piping.
3. Install pump on a firm and level surface. It is recommended to bolt the pump to a concrete pad to prevent possible vibration noise during operation.
4. Install booster pump no closer than 5 feet (1.5 m) from the inside wall of the pool and spa. Canadian installations require a minimum of 9.8 feet (3 m).
5. Install the pump a minimum of 3 feet (0.9 m) from a heater outlet.
6. Do not install the pump more than 8 feet (2.4 m) above the water level or 3 feet (0.9 m) below water level.
7. Install the pump in a well ventilated location protected from excessive moisture (i.e., rain gutters, sprinklers, splashing pool water, etc.).
8. For hot tubs and spas, do not install within the outer enclosure or beneath the skirt.
9. To allow ventilation and servicing of the pump, install with a rear clearance of at least 12 in. (.3 m) from a wall or structure. Be sure there is enough space for the fan exhaust.

PVC Piping

1. Use at least 1 inch (38 mm) PVC pipe. If 1 inch diameter piping is used on the suction, and the length is more than five (5) feet, a larger pipe size diameter (1.5 or 2 inch [38 or 51 mm]) is recommended.
2. To avoid strain on the pump, support both suction and discharge pipes independently. Place these supports near the pump.
3. Slope suction pipe slightly upward toward the pump to avoid air locking.

Note: To prevent flooding when removing pump for service, be sure all flooded suction systems have a valve (ball or gate) in the suction and discharge pipes.

Flexible Hose Piping

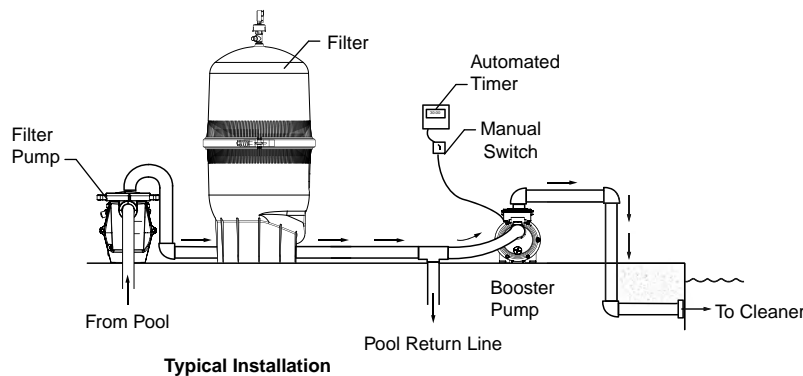
The booster pump comes with a flexible hose and adapters which can be used in place of PVC piping.

Be sure there are no sharp bends in your hose piping to prevent restricted flow. Vibration noise can occur if the booster pump is installed with flexible hoses.

Typical Installation

Connect the suction side of the booster pump after the filter to ensure a filtered water supply to the booster pump.

The booster pump must always be connected to the return line on the discharge side of the filter.



Typical Installation

Installation with a Heater

To install the booster pump in a system with a heater, install a tee after the filter. The tee directs a portion of the water to the booster pump and to the heater.

Do not connect the booster pump directly to the heater; the heated water can damage the booster pump if the heater malfunctions.

Be sure to install the booster pump at least 3 feet away from the heater to protect from excess ambient heat.

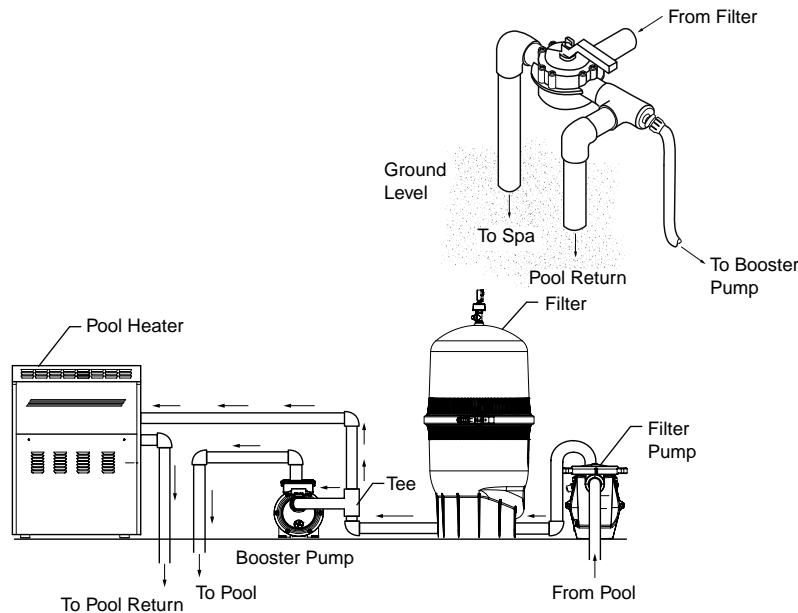
Installation with Solar Heaters

With or without a gas heater, install an in-line tee on the return line between filter and solar heater.

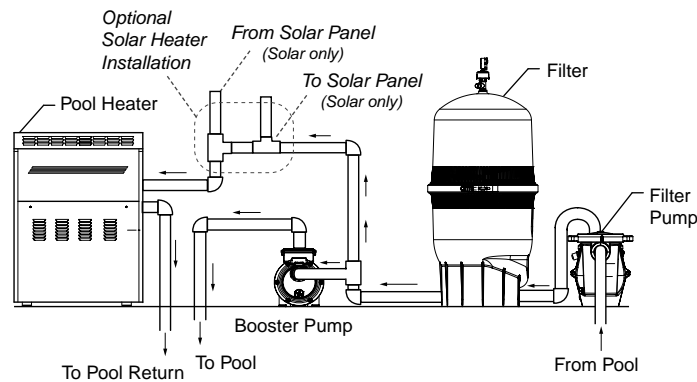
This minimizes the possibility of an air lock in the booster pump each time the solar panel fills and assures ample water supply.

Installation with Pool and Spa Combination

If your pool is plumbed for a pool and spa combination, connect the suction side of the booster pump before the spa bypass valve. Be sure to install the booster pump at least 3 feet away from the heater to protect from excess ambient heat. See image below for plumbing configuration.



Installation with a Heater



Installation with a Solar Heater

Installing the Pump Hoses

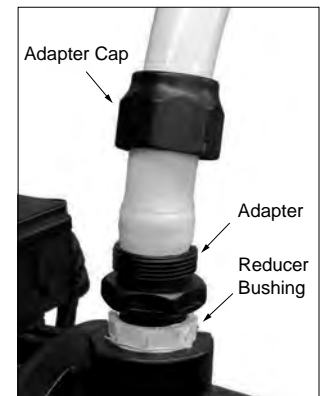
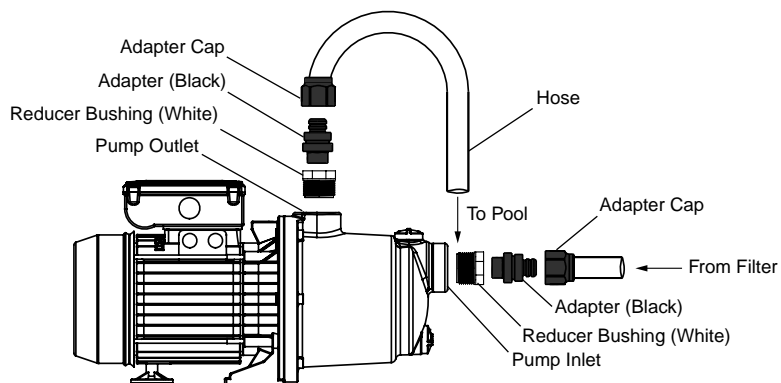
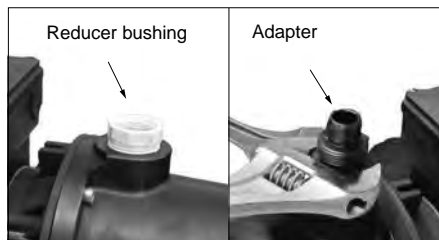
1. Cover the threads of the white colored 1" to 3/4" reducer bushing with threaded sealing tape or pipe joint compound.
2. Screw the white colored reducer bushing into the pump outlet. Hand tighten + one (1) turn with a 12" adjustable wrench. *Torque = 60 in-lb (6.8 N-m)*.
3. Unscrew the adapter cap from the adapter. Cover the threads with threaded sealing tape or pipe joint compound.
4. Screw the black colored adapter into the white reducer bushing. Hand tighten the adapter + one (1) and a quarter turns with a 12" adjustable wrench.

Note: A second 12" adjustable wrench is recommended to hold the reducer bushing in place while tightening the adapter.

5. Cut the hose to the length needed to connect the booster pump to the return line. You may need to shape the hose end to round out the opening.
6. Slide the adapter cap up onto the hose. Be sure the adapter cap is up onto the hose before attaching hose to adapter.
7. Twist and push hose onto the adapter until the hose is flush with the adapter threads. Be sure the end of the hose is evenly bottomed out on the adapter.

Note: Apply heat or warm water to help attach hose if needed (heats makes hose more flexible).

8. Screw the adaptor cap onto the adaptor to secure the hose. Hand tighten the adapter cap. Turn one (1) time with a wrench if needed.
9. Repeat steps 1-8 for both outlet and inlet hose connection. Be sure there are no tight bends or kinks when routing the hose.



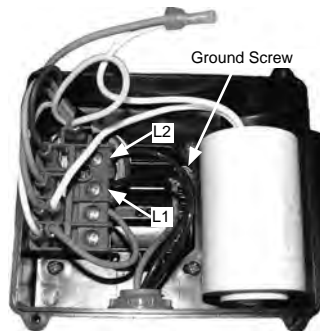
Complete Hose Assembly

⚠ WARNING**RISK OF ELECTRICAL SHOCK OR ELECTROCUTION.**

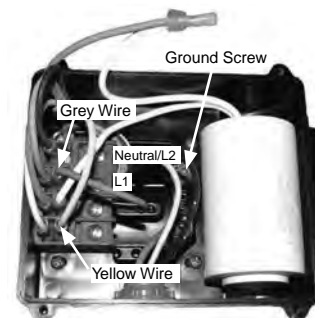
This booster pump must be installed by a licensed or certified electrician or a qualified pool service professional in accordance with the current National Electrical Code and all applicable local codes and ordinances. Improper installation will create an electrical hazard which could result in death or serious injury to pool users, installers, or others due to electrical shock, and may also cause damage to property. Always disconnect power to the booster pump at the circuit breaker before servicing the pump. Failure to do so could result in death or serious injury to service professionals, pool users or others due to electric shock.

Connecting the booster pump to an AC power source:

1. Turn off all electrical breakers and switches before wiring the motor.
2. Connect bonding wire to the bonding lug. Be sure to connect the ground wire to the ground (green) screw.
3. Be sure the wiring voltage is 230 VAC or 115 VAC \pm 10%. Permanent motor damage will occur if wiring voltage does not match.
4. Use #12 AWG for wiring up to 100 feet (30.5 m) and #10 AWG for lengths longer than 100 feet (30.5 m). If needed, use a heavier gauge (larger diameter) conductor. A heavier gauge will allow the motor to run cooler and more efficiently.
5. Be sure all electrical connections are clean and tight.
6. Cut the conductors to the appropriate length so they do not overlap or touch when connected to the terminal board.
7. Permanently ground the motor using the green ground terminal. Use #12 AWG for wiring up to 100 feet (30.5 m) and #10 AWG for lengths longer than 100 feet (30.5 m). Use the correct conductor size and type specified by the National Electrical Code. Be sure the ground conductor is connected to an electrical service ground.
8. Bond the motor to the pool structure in accordance with the National Electric Code. UL requires use of a solid copper bonding conductor not smaller than 8 AWG (8.4 mm²).
9. Connect the solid copper bonding conductor on the motor to all metal parts of the swimming pool, spa, or hot tub structure and to all electrical equipment, metal conduit, and metal piping within 5 feet (1.5 m) of the inside walls of the swimming pool, spa, or hot tub. For Canada a 6 AWG or larger copper bonding conductor is required.



230 VAC Wiring (Factory)



115 VAC Wiring

Wiring the Pump for 230 VAC

The booster pump is pre wired from the factory to operate on 230 VAC. *No change to the wiring is needed if installing the pump in a 230 VAC location.* Wires must be run through a water tight connector to prevent water from entering the wiring compartment.

Note: Never wire a 230 volt motor to a 115 volt line.

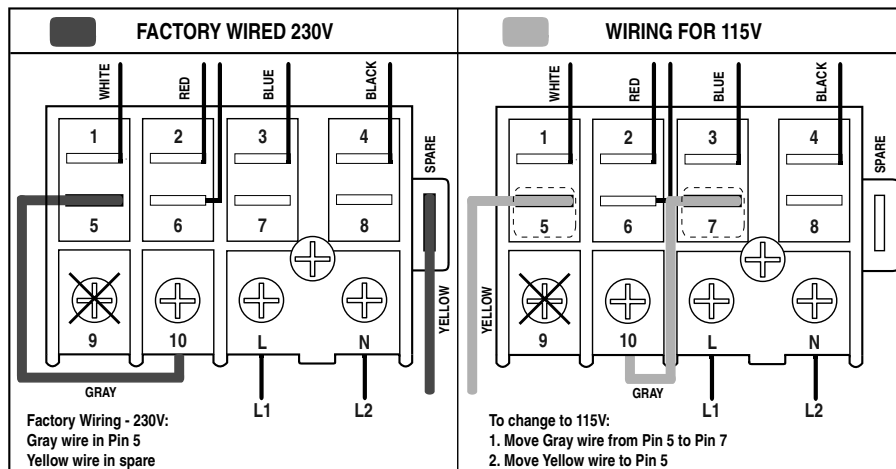
1. Be sure all electrical breakers and switches are off before wiring the motor and bonding wire is connected to the bonding lug.
2. Connect ground wire to ground (green) screw.
3. Be sure the voltage from the power source is 230 VAC \pm 10%
4. Connect Line 2 (L2) to the right most screw, labeled "N". Connect Line 1 (L1) to screw "L"
5. Be sure the gasket is in the top of the lid (gasket is black colored) and place the lid back on the motor wiring the box.
6. Screw the four screws into the box in a cross pattern for an even water tight seal. Hand tighten in two sequences. First, torque to 7 in-lbs (.8 N-m), then torque to 15 in-lbs (1.7 N-m). **Note:** Do not overtighten- this can strip the screw.




Wiring the Pump for 115 VAC

The booster pump is wired to operate on 230 VAC. The pump can also operate on 115 VAC by changing the wiring at the motor connection plate; only 2 wires will need to be moved. Wires must be run through a water tight connector to prevent water from entering the wiring compartment.

Note: Never wire a 115 volt motor to a 230 volt line.

1. Be sure all electrical breakers and switches are off before wiring the motor and bonding wire is connected to the bonding lug.
2. Connect ground wire to ground (green) screw.
3. Be sure the voltage from power source is 115 VAC \pm 10%
4. Connect Line 2 (L2) to the right most screw, labeled "N". Connect Line 1 (L1) to screw "L"
5. Move the grey wire from pin number 5 to pin number 7.
6. Move the yellow wire to pin number 5.
7. Be sure the gasket is in the top of the lid (gasket is black colored) and place the lid back on the motor wiring the box.
8. Screw the four screws into the box in a cross pattern for an even water tight seal. Hand tighten in two sequences. First, torque to 7 in-lbs (.8 N-m), then torque to 15 in-lbs (1.7 N-m). **Note:** Do not overtighten- this can strip the screw.



 <p>WARNING</p>	<p>DO NOT run the pump dry. If the pump is run dry, the mechanical seal will be damaged and the pump will start leaking. If this occurs, the damaged seal must be replaced. ALWAYS maintain proper water level in your pool. Continued operation in this manner could cause a loss of pressure, resulting in damage to the pump case, impeller and seal.</p>
  <p>WARNING</p>	<p>Filter operates under high pressure. When any part of the circulating system (e.g., Lock Ring, Pump, Filter, Valves, etc.) is serviced, air can enter the system and become pressurized. Pressurized air can cause the filter lid to separate which can result in severe injury, death, or property damage resulting in damage to the pump case, impeller and seal, and may cause property damage and personal injury. To avoid this potential hazard, follow these instructions.</p>

Preparation for Operation

Since the filter operates under high pressure, it is important to relieve any pressurized air before performing any maintenance or servicing.

Follow the instructions below to relieve pressure from the filtration system.

1. Stop pump, close valves on suction and discharge lines, and release all pressure from system before proceeding.
2. Open the manual air relief valve on top of the filter.
3. Open the suction side valve to release any trapped air. Turn the filter pump on and stand clear of the filter.
4. Bleed air from the filter until a steady stream of water comes out.
5. Close the manual air relief valve.

Starting the Pump

For startup, be sure the filter pump is running and an automatic pool cleaner is connected before starting the booster pump. The booster pump must have a water flow of at least 20 GPM from the filtration system to avoid running the pump dry.

1. Start the filter pump at least 30 minutes before starting the booster pump to ensure pump is primed.
2. Be sure all valves are open before starting the booster pump. Shutoff valves can be located between the filter pump and filter or between the filter pump and pool.
3. Open all filtration valves to allow enough water for the booster pump during operation.

4. If there is a SVRS (Safety Vacuum Release System) for the filter and booster pumps, set SVRS to shut off both pumps.
5. Be sure the filter is clean and free of debris. A clogged filter reduces the water supply to the booster pump and can cause damage to the pump mechanical seal.

Automatic Timer

A separate automatic timer is recommended for the booster pump to ensure proper water flow from the filter to the booster pump.

1. Set the timer to start the filter pump at least 30 minutes before and stop 30 minutes after the booster pump.
 2. Be sure your automatic pool cleaner is timed to run only for the length of time needed to clean the pool.
- Note:** Operating the booster pump while the filter pump is off can damage the pump.
3. Reset the timers if power is shut off or interrupted. Check your system timers to be sure the filter pump starts before the booster pump.
 4. A separate manual switch is recommended in addition to an automatic timer to turn the booster pump off if the filter system needs to be shut off for any reason.

Example:

Set Timer:	Start	Stop
Filter Pump	8:00 AM	2:00 PM
Booster Pump	8:30 AM	1:30 PM

MAINTENANCE

Winterizing

Drain all water from the pump and piping when expecting freezing temperatures or when storing the pump for an extended period of time. In mild climate areas, when temporary freezing conditions may occur, run your filter system all night to prevent freezing.

Note: If the air temperature drops below 32° F (0° C), water in the pump can freeze and cause damage. Freeze damage is not covered under warranty.

Preventing Freeze Damage

- Shut off electrical power for the pump at the circuit breaker.
- Open the drain plug and allow water to drain out of the pump.
- Cap inlet piping after draining to keep water out of the pipes.
- Cover the motor to protect it from severe rain, snow, and ice.
- Avoid the use of plastic or other air tight materials when storing the pump. These materials can trap moisture and corrode the motor during storage.

Motor Care

Protecting motor from heat damage

- Keep all enclosures well ventilated to prevent overheating. Be sure the motor fan is working properly and the fan guard is not pushed against the fan.
- Install the pump in a location that provides ample cross ventilation.
- Maximum ambient temperature for motor operation must not exceed 122° F / 50° C.

Protecting motor against dirt

- Protect from any foreign matter, i.e. excess dirt, plastic bags, pine straw, wasps, etc.
- Avoid storing pool chemicals near the motor.
- Avoid sweeping or stirring up dust near the motor while in operation.
- Motors damaged by excessive water or dirt are not covered under warranty.

Protecting motor against moisture

- Avoid splashing water (pool, lawn sprinklers, etc.) located near the booster pump.

- Protect from extreme weather conditions (snow, flooding, freezing temperatures) to avoid excess moisture and prevent freeze damage.
- Avoid operating pump if flooded.
- Completely attach the terminal cover to protect the wiring from moisture.
- This motor is an enclosed fan-cooled motor and can be damaged if water enters the motor. Motors damaged by water and/or moisture are not covered under warranty.

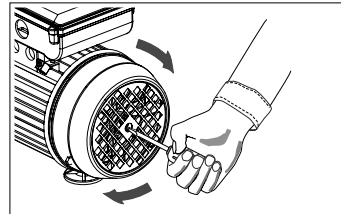
Start Up after Winterizing

1. Remove any temporary weather protection from around the system.
2. Disconnect all power sources and inspect all electrical wiring for damage or deterioration during shut down period.
3. Follow your filter installation and user's guide for filter system startup.
4. Open all valves in the suction and return lines in piping system.
5. Remove any winterizing plugs in piping system.
6. Close all drain valves and replace drain plugs in the piping system.
7. Check all piping connections for frost before reconnecting power sources and restarting the pump.

Note: Frost on the outside of the pipe may indicate a frozen line. Frozen pipes do not allow the system to prime properly and may result in running the pump dry and damaging the shaft seal.

If pump fails to start after shutdown period:

Disconnect all power before servicing. Insert a flat blade screwdriver into the center hole of the fan guard and rotate motor shaft to free seal. Completely remove the screwdriver before reconnect power source.

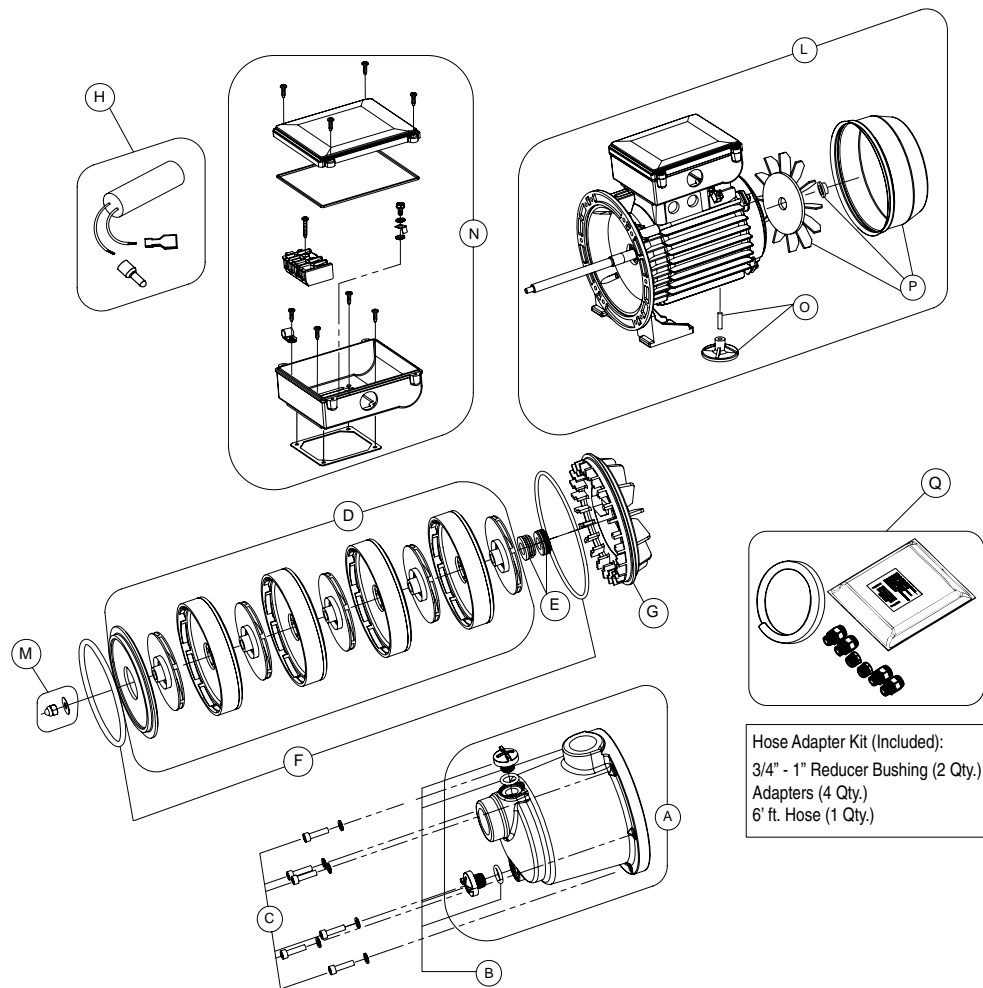


TROUBLESHOOTING

Use the following information to resolve possible issues with your booster pump.

PROBLEM	POSSIBLE CAUSE	CORRECTIVE ACTION
Pump motor does not run.	Power is off. Circuit is tripped. Fan guard pushed against fan. Pump is in OFF mode in a timer controlled circuit. Motor terminal wiring is incorrect. Impeller is blocked by debris.	Check power and reset. Check circuit breaker and reset. Move fan guard back into place with hammer and screwdriver. Check timer mode. Have terminal connections checked by an electrician. Clear debris from impeller.
Reduced pump flow and/or cleaner runs too slow.	Inlet and outlet line is blocked. Motor is wired improperly. Air pockets or leaks in suction line. Clogged impeller. Clogged filter.	Check for debris. Open line restriction. Check terminal connection. Check suction piping and valves. Make suction piping is at least 2' (51 mm) in diameter. Clear debris from impeller. Refer to pages 11-12 for instructions on removal. Shut down pump and clean filter.
Motor Over-Heating.	Incorrect electrical supply connections. Wiring to pump is under-sized. Power company supply voltage is too low. Inadequate motor ventilation.	Check motor terminal. Tighten any loose connections. Increase wiring size. Check line voltage; if less than 90% or more than 110% of rated voltage, consult licensed electrician. Remove any restriction to air flow to reduce ambient temperature.
Mechanical Noise.	Pump vibrating or making loud noise on equipment pad. Cavitation. Fan guard pushed against fan.	Check pump location; bolt pump to concrete pad. Make sure suction and discharge pipes are adequately supported. Improve suction conditions. Increase pipe size. Increase discharge pressure. Remove bends or kinks in flexible hose piping. Move fan guard back into place with hammer and screwdriver.

REPLACEMENT PARTS

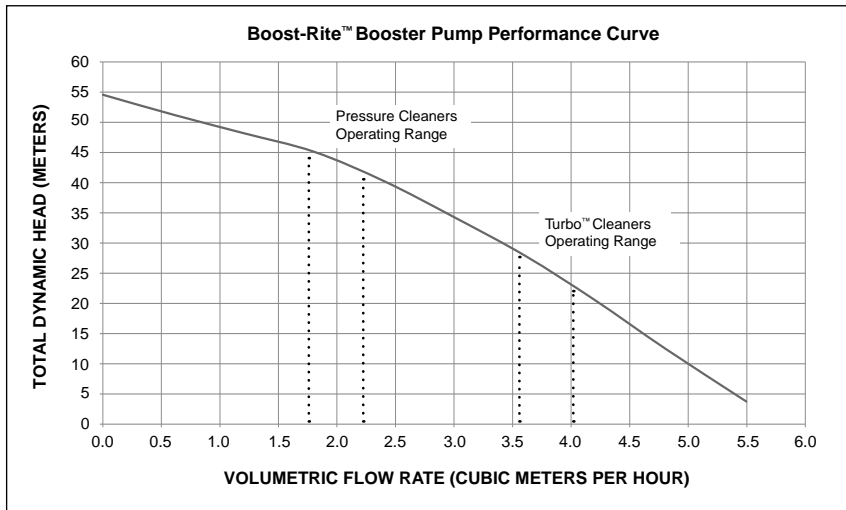
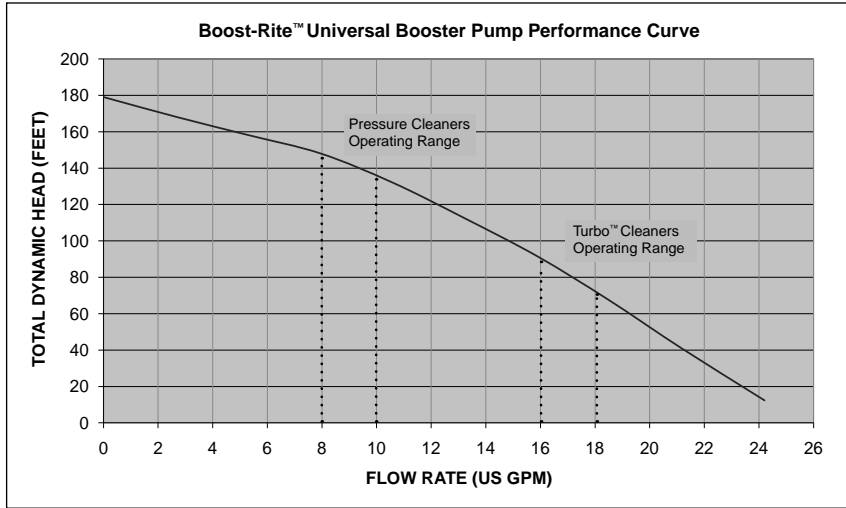


Hose Adapter Kit (Included):
 3/4" - 1" Reducer Bushing (2 Qty.)
 Adapters (4 Qty.)
 6' ft. Hose (1 Qty.)

KIT	P/N	DESCRIPTION	KIT	P/N	DESCRIPTION
A	ZBR39320	PUMP BODY KIT W/ DRAIN PLUGS	H	ZBR39340	CAPACITOR KIT
B	ZBR12160	DRAIN PLUGS W/ O-RING KIT*	L	ZBR39360	COMPLETE MOTOR ASSEMBLY
C	ZBR12170	BODY PUMP FASTENERS KIT	M	ZBR12270	END SHAFT FASTENERS KIT
D	ZBR39330	HYDRAULIC KIT	N	ZBR39350	CAPACITOR BOX COMPLETE KIT
E	ZBR43920	MECHANICAL SEAL KIT	O	ZBR26910	BASE KIT
F	ZBR12200	O-RING KIT	P	ZBR43810	FAN KIT
G	ZBR12210	SEAL PLATE KIT	Q	353040	HOSE ADAPTER KIT

*INCLUDES (2) DRAIN PLUGS AND (2) O-RINGS; HOUSING NOT INCLUDED.

Performance Curves





1620 HAWKINS AVE., SANFORD, NC 27330 • (919) 566-8000
10951 WEST LOS ANGELES AVE., MOORPARK, CA 93021 • (805) 553-5000
WWW.PENTAIRPOOL.COM

All Pentair trademarks and logos are owned by Pentair, Inc. Pentair Aquatic Systems™ and Boost-Rite™ are trademarks and/or registered trademarks of Pentair Water Pool and Spa, Inc. and/or its affiliated companies in the United States and/ or other countries. Unless expressly noted, names and brands of third parties that may be used in this document are not used to indicate an affiliation or endorsement between the owners of these names and brands and Pentair Water Pool and Spa, Inc. Those names and brands may be the trademarks or registered trademarks of those third parties. Because we are continuously improving our products and services, Pentair reserves the right to change specifications without prior notice. Pentair is an equal opportunity employer.

© 2013 Pentair Aquatic Systems. All rights reserved. This document is subject to change without notice.



P/N 353042 REV. A 5/24/13



BOMBA POTENCIADORA UNIVERSAL BOOST-RITE™



MANUAL DE INSTALACIÓN GUÍA DEL USUARIO

INSTRUCCIONES DE SEGURIDAD IMPORTANTES
LEA Y SIGA ESTAS INSTRUCCIONES
GUARDE ESTAS INSTRUCCIONES

SERVICIO AL CLIENTE / SOPORTE TÉCNICO

Si tiene consultas acerca de cómo pedir piezas de repuesto de Pentair Aquatic Systems, Inc. y productos para piscina, por favor, contáctese con:

Servicio al cliente y soporte técnico

(8:00 a.m. a 4:30 p.m. — Horas del Pacífico Este)

Teléfono: (800) 831-7133

Fax: (800) 284-4151

Sitio web

Visite www.pentairpool.com o www.staritepool.com

Sanford, North Carolina (8:00 a.m. a 4:30 p.m. ET)

Teléfono: (919) 566-8000

Fax: (919) 566-8920

Moorpark, California (8:00 a.m. a 4:30 p.m. PT)

Teléfono: (805) 553-5000 (Ext. 5591)

Fax: (805) 553-5515

ÍNDICE

Instrucciones importantes sobre seguridad y advertencias de las bombas	ii
Vista general de las bombas	1
Vista general y características	1
Especificaciones eléctricas	1
Dimensiones de la bomba	1
Instalación	2
Ubicación	2
Tuberías	2
Instalación normal	2
Instalación con un calentador	3
Instalación con un calentador solar	3
Instalación con combinación de piscina y spa	3
Instalación de las mangueras de la bomba	4

Cableado eléctrico	5
Conexión de la fuente de alimentación de CA	5
Cableado de la bomba para 230 VCA	6
Cableado de la bomba para 115 VCA	6
Operación	7
Arranque de la bomba	7
Cronómetro automático	7
Mantenimiento	8
Acondicionamiento al invierno y arranque	8
Cuidados del motor	8
Localización de problemas	9
Piezas de repuesto	10
Ilustraciones de la lista de partes	10
Curvas de rendimiento	11

LEA Y SIGA ESTAS INSTRUCCIONES

GUARDE ESTAS INSTRUCCIONES



Este es el símbolo de alerta de seguridad. Cuando vea este símbolo en su sistema o en este manual, busque una de las siguientes palabras de señal y esté alerta a la posibilidad de que alguna persona se lesione.

PELIGRO

Advierte sobre peligros que pueden causar la muerte, lesiones personales serias o daños importantes a la propiedad si se ignoran.

ADVERTENCIA

Advierte sobre peligros que pueden causar la muerte, lesiones personales serias o daños importantes a la propiedad si se ignoran.

PRECAUCIÓN

Advierte sobre peligros que podrían o pueden causar lesiones personales leves o daños a la propiedad si se ignoran.

NOTA indica instrucciones especiales no relacionadas con peligros. Lea y siga cuidadosamente todas las instrucciones de seguridad en este manual y en relación a los equipos. Conserve las etiquetas de seguridad en buenas condiciones; reemplace si están ausentes o dañadas.

NOTA IMPORTANTE



Esta guía ofrece las instrucciones de instalación y operación para este producto. Consulte a Pentair por cualquier consulta relacionada a este equipo.

Atención al instalador: Esta guía contiene información importante sobre la instalación, la operación y el uso seguro de este producto. Se le debe proporcionar esta información al dueño y/u operador del equipo luego de la instalación o se debe dejar encima o cerca de la bomba.

Atención al usuario: Este manual contiene información importante que le ayudará a operar y mantener este producto. Por favor, consérvelo para futuras referencias.

INSTRUCCIONES IMPORTANTES DE ADVERTENCIAS Y SEGURIDAD

Cuando instale y use estos equipos eléctricos, siempre se deben seguir las precauciones de seguridad básicas, entre las que se incluye las siguientes:

ADVERTENCIA No permita que los niños usen este producto.

ADVERTENCIA **RIESGO DE CHOQUE ELÉCTRICO.** Conecte solamente a un circuito derivado protegido por un interruptor de circuito de tierra accidental (GFCI). Contacte a un electricista calificado si no puede verificar que el circuito esté protegido por GFCI.

ADVERTENCIA Esta unidad debe conectarse solamente a un circuito de alimentación que esté protegido por un interruptor de circuito de tierra accidental (GFCI). Dicho GFCI debe proporcionarlo el instalador y debe tener pruebas de rutina. Para probar el GFCI, presione el botón de prueba. El GFCI debe interrumpir la energía. Presione el botón de reanudar. La energía debería restaurarse. Si el GFCI no es capaz de operar de esta manera, entonces el GFCI está defectuoso. Si el GFCI interrumpe la energía de la bomba sin haberse presionado el botón de prueba, estará fluyendo una corriente a tierra, indicando la posibilidad de un choque eléctrico. No use esta bomba. Desconecte la bomba y corrija el problema mediante un representante de servicio calificado antes de usarla.

PRECAUCIÓN Esta bomba es para ser utilizada con piscinas permanentes y también puede usarse con jacuzzis y spas, si tiene la marcada que lo especifique. No la use con piscinas que se deban almacenar. Una piscina instalada permanentemente se construye en el suelo o en un edificio de manera tal que no se pueda desmontar para ser almacenada. Una piscina que se deba almacenar se construye para que sea capaz de desmontarse fácilmente para su almacenamiento y reensamblarse a su integridad original.

Advertencias generales

- La bomba potenciadora no es sumergible.
- Los requerimientos del código para las conexiones eléctricas difieren de un estado a otro. Instale los equipos de conformidad con el Código Nacional Eléctrico y todos los códigos y ordenanzas locales aplicables.
- Antes de efectuar el mantenimiento de la bomba; apague la corriente hacia la bomba desconectando el circuito principal que va hacia la bomba.
- Este artefacto no debe ser utilizado por personas (incluyendo niños) con capacidades físicas, sensoriales o mentales reducidas, o que no tengan la experiencia y los conocimientos, a menos que hayan recibido una supervisión o instrucción en relación al uso del artefacto por una persona responsable por su seguridad.

PELIGRO EL INCUMPLIMIENTO DE SEGUIR TODAS LAS INSTRUCCIONES Y ADVERTENCIAS PUEDE DAR COMO RESULTADO LESIONES CORPORALES SERIAS O LA MUERTE. **ESTA BOMBA SÓLO DEBE INSTALARLA Y MANTENERLA UN EQUIPO DE PROESIONALES DE MANTENIMIENTO CALIFICADOS. LOS INSTALADORES, OPERADORES DE PISCINAS Y DUEÑOS DEBEN LEER ESTAS ADVERTENCIAS Y TODAS LAS INSTRUCCIONES EN EL MANUAL DE USUARIO ANTES DE USAR ESTA BOMBA. ESTAS ADVERTENCIAS Y EL MANUAL DE USUARIO DEBEN QUEDARSE CON EL DUEÑO DE LA PISCINA.**

PELIGRO PELIGRO DE ATASCO: ¡MANTÉNGASE ALEJADO DEL DRENAJE PRINCIPAL Y DE TODAS LAS SALIDAS DE LA SUCCIÓN!



ESTA BOMBA PRODUCE ALTOS NIVELES DE SUCCIÓN Y CREA UN VACÍO FUERTE EN EL DRENAJE PRINCIPAL, EN LA PARTE INFERIOR DE LA MASA DE AGUA. ESTA SUCCIÓN ES TAN FUERTE QUE PUEDE ATRAPAR A ADULTOS O NIÑOS BAJO EL AGUA SI ESTÁN EN PROXIMIDAD CERCANA A UN DRENAJE O A UNA CUBIERTA O REJILLA ROTA O SUELTA DEL DRENAJE.

PELIGRO **RIESGO DE CHOQUE ELÉCTRICO O ELECTROCUCIÓN: LAS BOMBAS REQUIEREN UNA ALTA TENSIÓN QUE PUEDE CAUSAR UN CHOQUE, UNA QUEMADURA O LA MUERTE. ¡ANTES DE TRABAJAR EN LA BOMBA!**



Siempre desconecte la energía a la bomba de la piscina en el disyuntor desde la bomba antes de hacer un mantenimiento de la bomba. Si incumple con esto, podría dar como resultado la muerte o lesiones serias a la persona que realiza el mantenimiento, a los usuarios de la piscina o a otros debido a un choque eléctrico.

EL USO DE CUBIERTAS INADECUADAS O PERMITIR EL USO DE LA PISCINA O EL SPA CUANDO HAY CUBIERTAS AUSENTES, FISURADAS O ROTAS PUEDE DAR COMO RESULTADO EL ATASCO DE ALGUNA PARTE DEL CUERPO O ARTICULACIÓN, ENREDO DE CABELLO, ATASCO DEL CUERPO, EVISCERACIÓN Y/O LA MUERTE.

La succión en el drenaje o salida puede causar:

Atasco de algún miembro del cuerpo: Cuando el miembro del cuerpo queda atrapado o insertado en una abertura y que resulta en un atasco o expansión mecánica. Este peligro se presenta cuando la cubierta de un drenaje está ausente, rota, suelta, fisurada o incorrectamente asegurada.

Enredo de cabello: Cuando el cabello se enreda o anuda en la cubierta del drenaje, atrapando al nadador bajo el agua. Este peligro se presenta cuando la velocidad del flujo de la cubierta es demasiado pequeña para la(s) bomba(s).

Atasco del cuerpo: Cuando una parte del cuerpo se atasca con la cubierta del drenaje, atrapando al nadador bajo el agua. Este peligro se presenta cuando la cubierta del drenaje está ausente, rota o cuando la velocidad de flujo de la cubierta no es lo suficientemente alta para la(s) bomba(s).

Evisceración/destripamiento: Cuando una persona se sienta en una piscina abierta (particularmente una piscina de chapoteo para niños) o en la salida de un spa y se aplica la succión directamente a los intestinos, causando un daño intestinal severo. Este peligro se presenta cuando la cubierta del drenaje está ausente, suelta, fisurada o incorrectamente asegurada.

Atasco mecánico: Cuando las joyas, la ropa de baño, las decoraciones del cabello, los dedos de las manos o pies o un nudillo se atascan en la abertura de una salida o de una cubierta de drenaje. Este peligro se presenta cuando la cubierta del drenaje está ausente, suelta, rota, fisurada o incorrectamente asegurada.

NOTA: TODAS LAS CONEXIONES DE SUCCIÓN DEBEN INSTALARSE EN CONFORMIDAD CON LOS ÚLTIMOS CÓDIGOS, ESTÁNDARES Y GUÍAS NACIONALES Y LOCALES.

INSTRUCCIONES IMPORTANTES DE ADVERTENCIAS Y SEGURIDAD

La Ley de Seguridad para Piscinas y Spas Virginia Graeme Baker (VGB) crea nuevos requerimientos para los dueños y operadores de piscinas y spas comerciales.

Las piscinas o spas comerciales construidos el 19 de diciembre de 2008 o después de esa fecha, deberán utilizar:

(A) Un sistema de drenaje principal sin capacidad de aislamiento con cubiertas de la salida de la succión que cumpla con el ASME/ANSI A112.19.8a en relación a aditamentos de succión para uso en piscinas, piscinas de chapoteo, spas y jacuzzis, y, ya sea:

(i) Un sistema de liberación de vacío de seguridad (SVRS) que cumpla con el ASME/ANSI A112.19.17 en relación a los sistemas de descargas (SVRS) para los sistemas de succión de piscinas comerciales y residenciales, spas, jacuzzis y piscinas de chapoteo y/o la Especificación estándar ASTM F2387 para los sistemas de liberación de vacío de seguridad (SVRS) fabricados para piscinas, spas y jacuzzis o (ii) Un sistema de ventilación con limitación de succión correctamente diseñado y probado o (iii) Un sistema de cierre automático de la bomba.

Las piscinas o spas comerciales construidos antes del 19 de diciembre de 2008, con una sola salida de succión sumergida deberán usar una cubierta de la salida de la succión que cumpla con el ASME/ANSI A112.19.8a y, ya sea:

(A) Un SVRS que cumpla con el ASME/ANSI A112.19.17 y/o ASTM F2387, o (B) Un sistema de ventilación con limitación de succión correctamente diseñado y probado o (C) Un sistema de cierre automático de la bomba, o (D) Salidas sumergidas inhabilitadas, o (E) Las salidas de la succión deben reconfigurarse en entradas de retorno.

⚠ PELIGRO



PRESIÓN PELIGROSA: MANTÉNGASE ALEJADO DE LA BOMBA Y EL FILTRO DURANTE EL ARRANQUE.

Los sistemas de circulación funcionan bajo alta presión. Cuando se hace mantenimiento a una parte del sistema de circulación (es decir, el anillo de bloqueo, la bomba, el filtro, las válvulas, etc.), el aire puede ingresar al sistema

y presurizarse. El aire presurizado puede hacer que las válvulas y la tapa del filtro de la cubierta de la carcasa de la bomba se separen violentamente, lo que puede ocasionar lesiones personales severas o la muerte. La tapa del tanque del filtro y la cubierta del colador deben estar correctamente aseguradas para evitar la separación violenta. Manténgase alejado de los equipos del sistema de circulación de aire cuando encienda o arranque la bomba

Antes de efectuar el mantenimiento a los equipos, tome nota de la presión del filtro. Asegúrese de que todos los controles estén configurados para garantizar que el sistema no arranque inadvertidamente durante el mantenimiento. Apague toda alimentación a la bomba. **IMPORTANTE: Coloque la válvula manual de alivio de aire del filtro en posición abierta y espere que se alivie toda la presión que se encuentra en el sistema.**

Antes de arrancar el sistema, abra completamente la válvula manual de alivio de aire y coloque todas las válvulas del sistema en la posición de "abierto" para permitir que el agua fluya libremente desde el tanque y de regreso a él. Manténgase alejado de todos los equipos y encienda la bomba.

IMPORTANTE: No cierre la válvula manual de alivio de aire del filtro hasta que toda la presión haya sido descargada de la válvula y que aparezca una corriente constante de agua. Observe el calibre de presión del filtro y asegúrese de que no sea más alto que la condición previa al mantenimiento.

Información de instalación general

- Todo el trabajo debe realizarlo un profesional de servicio calificado, y debe cumplir con todos los códigos nacionales, estatales y locales.
- Instale para ofrecer el drenaje del compartimiento para los componentes eléctricos.
- Estas instrucciones contienen información para una variedad de modelos de bombas y por tanto algunas instrucciones podrían no aplicarse a un cierto modelo específico. Todos los modelos han de usarse en aplicaciones de piscinas. La bomba funcionará correctamente solamente si tiene el tamaño adecuado en relación a la aplicación y si está apropiadamente instalado.

⚠ ADVERTENCIA

Las bombas de tamaño incorrecto o mal instaladas, o usadas en aplicaciones distintas para las cuales fue hecha la bomba, pueden ocasionar lesiones personales severas o la muerte. Estos riesgos pueden incluir, entre otros: choque eléctrico, incendio, inundación, atasco por succión o lesiones severas o daños a la propiedad causados por una falla de la bomba o de otro componente del sistema.

⚠ ADVERTENCIA

La bomba puede producir altos niveles de succión dentro del lado de la succión del sistema de conexiones. Estos altos niveles de succión pueden representar un riesgo si una persona está en proximidad cercana de las aberturas de la succión. Una persona puede lesionarse seriamente debido a este alto nivel de vacío, o puede atascarse y ahogarse. Es absolutamente crítico que las conexiones de la succión se instalen de conformidad con los códigos nacionales y locales más recientes para piscinas.

GUARDE ESTAS INSTRUCCIONES

⚠ ADVERTENCIA

PARA MINIMIZAR EL RIESGO DE LESIONES DEBIDO AL PELIGRO DE ATASCO DE LA SUCCIÓN:

- Para cada drenaje, se debe usar una cubierta de succión anti-atascos apropiadamente instalada y asegurada y aprobada por el ANSI/ASME A112.19.8.
- Cada cubierta de succión debe instalarse al menos a tres (3') pies de distancia, medidos desde el punto más cercano hasta el punto más cercano.
- Inspeccione todas las cubiertas con regularidad en busca de fisuras, daños e intemperización avanzada.
- Si una cubierta está suelta, fisurada, dañada, rota o ausente, reemplácela con una cubierta certificada apropiada.
- Reemplace la cubierta del drenaje según sea necesario. Las cubiertas del drenaje se deterioran con el tiempo debido a la exposición a la luz solar y el clima.
- Evite que el cabello, los miembros superiores e inferiores o el cuerpo estén en proximidad cercana a las cubiertas de succión, el drenaje o la salida de la piscina.
- Deshabilite las salidas de la succión o vuelva a configurar las entradas de retorno.

⚠ ADVERTENCIA

Un interruptor de cierre de emergencia claramente etiquetado para la bomba debe estar en un lugar de fácil acceso y obvio. Asegúrese que los usuarios sepan dónde está y cómo usarlo en caso de emergencia.

⚠ PRECAUCIÓN

Para la instalación de los controles eléctricos en la plataforma del equipo (interruptores de encendido/apagado (ON/OFF), cronómetros y centro de carga automatizada)



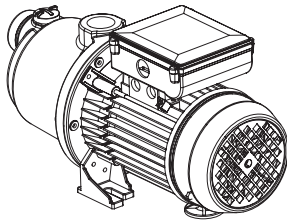
Instale todos los controles eléctricos en la plataforma del equipo, como los interruptores de encendido/apagado (ON/OFF), los cronómetros y los sistemas de control, etc. para permitir la operación (arranque, cierre o mantenimiento) de cualquier bomba o filtro para que el usuario no coloque ninguna porción de su cuerpo sobre o cerca de la tapa coladora de la bomba, la tapa del filtro o los cierres de la válvula. Esta instalación debe otorgar al usuario suficiente espacio para mantenerse alejado del filtro y la bomba durante el arranque del sistema, el cierre o el mantenimiento del filtro del sistema.

VISTA GENERAL DE LA BOMBA

Información general

La bomba potenciadora universal Boost-Rite™ suministra agua a alta presión a su limpiador de presión automático lateral de piscinas. Esta bomba potenciadora no viene autopreparada y no debe funcionar a menos que la bomba de filtro lo esté haciendo.

- Bomba potenciadora de 1.1 HP
- Proporciona 50 psi a 13.2 GPM.
- Hecho con materiales durables y a prueba de corrosión.
- Mangueras y adaptadores incluidos.
- Reemplazo ideal para bombas potenciadoras laterales a presión.



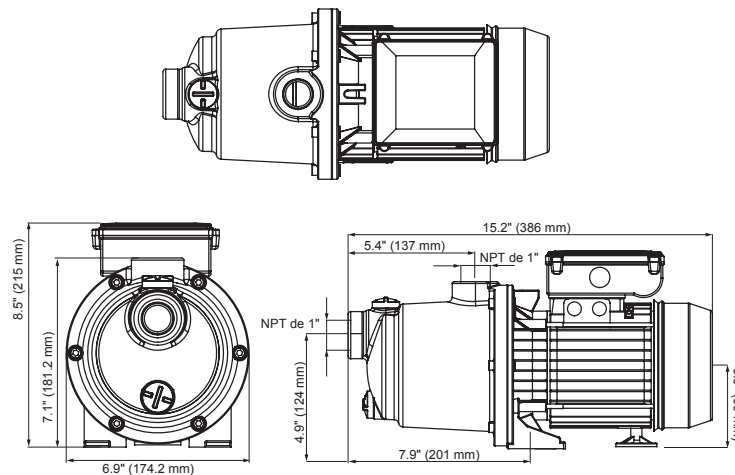
Bomba potenciadora universal Boost-Rite

Especificaciones eléctricas

Motor: Motor de 115/230 VCA, 60 Hz, monofásico, de dos polos, 1.1 HP / 10.2-5.1 A.

Máx temperatura del ambiente	122°F / 50°C
Máx temperatura del agua	104°F / 40°C
Máx contenido de sal en el agua	0.4%
Rango de pH	4-9
Tipo de protección	IP44
Clase de aislamiento	F
Revoluciones por minuto (RPM)	3450
Máx nivel de ruido	75dB(A)
Carcasa del motor	IEC 71 TEFC
Fases	Monofásico
Rosca de entrada/salida	NPT de 1"
Diseño hidráulico	5 etapas

Dimensiones de la bomba



INSTALACIÓN

Solamente los profesionales de servicio calificados deben instalar la bomba potenciadora Boost-Rite™. Consulte las "Instrucciones importantes sobre advertencia y seguridad" en las páginas ii-iv para obtener información sobre seguridad.

Ubicación

1. Siempre conecte la bomba potenciadora a una línea de retorno en el lado de la descarga del filtro.
2. Instale la bomba tan cerca como pueda de la piscina o spa. Para reducir la pérdida de fricción y mejorar la eficiencia, use una succión corta y directa, además de tuberías de descargas.
3. Instale la bomba en una superficie firme y nivelada. Se recomienda atornillar la bomba a una plataforma de concreto para evitar posibles ruidos de vibración durante el funcionamiento.
4. Instale la bomba potenciadora por lo menos a 5 pies (1.5 m) de la pared interna de la piscina y spa. Las instalaciones canadienses requieren un mínimo de 9.8 pies (3 m).
5. Instale la bomba a un mínimo de 3 pies (0.9 m) desde la salida del calentador.
6. No instale la bomba a más de 8 pies (2.4 m) por encima del nivel del agua o a 3 pies (0.9 m) por debajo del nivel del agua.
7. Instale la bomba en un lugar bien ventilado y protegido de la humedad excesiva (es decir, de canaletas para la lluvia, rociadores de agua, salpicaduras de agua de piscina, etc.).
8. Para jacuzzis y spas, no la instale dentro del compartimiento externo o bajo el faldón.
9. Para permitir la ventilación y el mantenimiento de la bomba, instálela con un espacio libre en la parte trasera de por lo menos 12 pulg. (0.3 m) de una pared o estructura. Asegúrese de que haya suficiente espacio para el escape del ventilador.

Tuberías de PVC

1. Use tuberías de PVC de por lo menos 1 pulgada (38 mm). Si se usan tuberías de 1 pulgada de diámetro en la succión, y la longitud es mayor a cinco (5) pies, se recomienda tener una tubería de con un mayor tamaño de diámetro (1.5 ó 2 pulgadas [38 ó 51 mm]).
2. Para evitar el esfuerzo en la bomba, utilice soportes independientes tanto para las tuberías de succión como para las de descarga. Coloque estos soportes cerca de la bomba.
3. Coloque la tubería de succión inclinada ligeramente ascendente hacia la bomba para evitar las esclusas de aire.

Nota: Para evitar inundaciones cuando se retire la bomba para su mantenimiento, asegúrese de que todos los sistemas de succión inundados tengan una válvula (de bola o de esclusa) en las tuberías de succión y descarga.

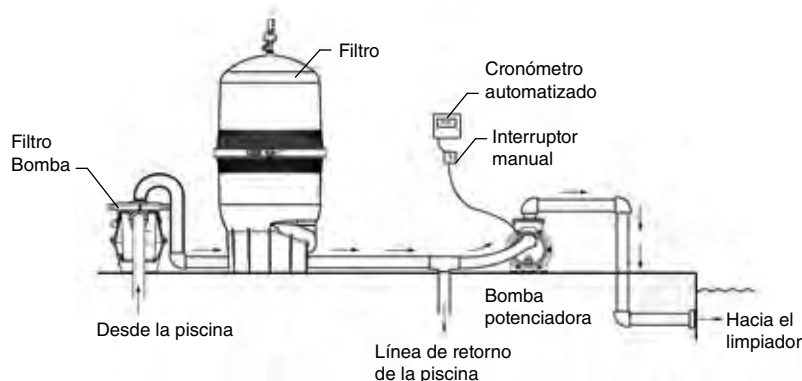
Tuberías de mangueras flexibles

La bomba potenciadora viene con una manguera flexible y adaptadores que pueden usarse en vez de las tuberías de PVC. Asegúrese de que no haya dobleces abruptos en las tuberías de sus mangueras para evitar la restricción del flujo. Puede ocurrir un ruido de vibración si la bomba potenciadora se instala con mangueras flexibles.

Instalación normal

Conecte el lado de la succión de la bomba potenciadora después del filtro para asegurar que haya suministro de agua filtrada a la bomba potenciadora.

La bomba potenciadora siempre debe estar conectada a la línea de retorno del lado de la descarga del filtro.



Instalación normal

Instalación con un calentador

Para instalar la bomba potenciadora en un sistema con un calentador, instale un conector después del filtro. El conector dirige una porción del agua a la bomba potenciadora y al calentador.

No conecte la bomba potenciadora directamente al calentador; el agua calentada puede dañar la bomba potenciadora si el calentador no funciona como es debido.

Asegúrese de instalar la bomba potenciadora por lo menos a tres pies (91 cms.) del calentador para protegerla del exceso de calor ambiental.

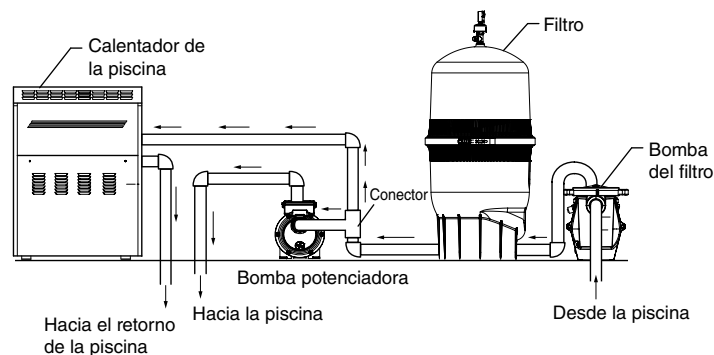
Instalación con calentadores solares

Con o sin un calentador a gas, instale un conector en línea en la línea de retorno entre el filtro y el calentador solar.

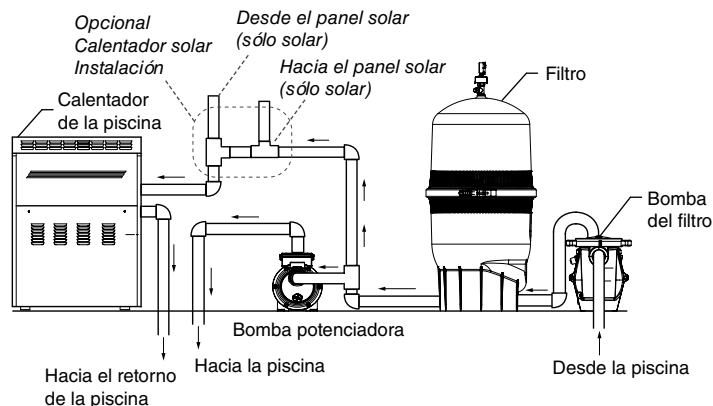
Esto reduce la posibilidad de una esclusa de aire en la bomba potenciadora cada vez que el panel solar se llena y asegura que haya un amplio suministro de agua.

Instalación con una combinación de piscina y spa

Si su piscina tiene conexiones para una combinación de piscina y spa, conecte el lado de la succión de la bomba potenciadora antes de la válvula de derivación del spa. Asegúrese de instalar la bomba potenciadora por lo menos a tres pies (91 cms.) del calentador para protegerla del exceso de calor ambiental. Ver imagen a continuación sobre la configuración de las conexiones.



Instalación con un calentador

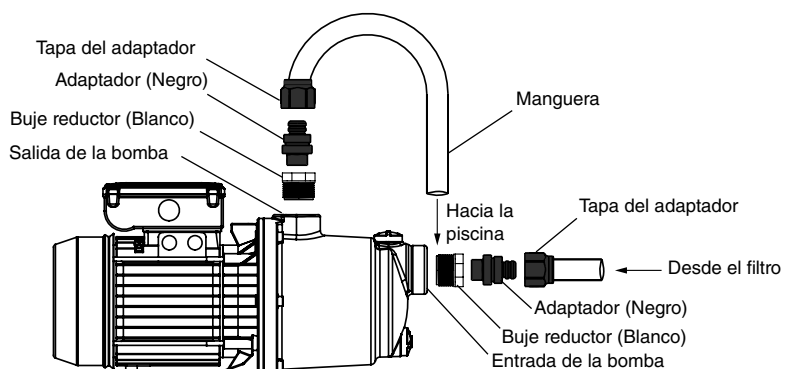
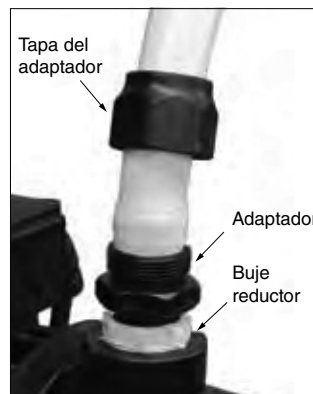
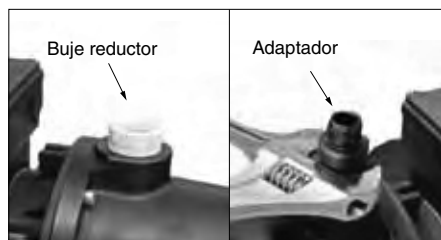


Instalación con un calentador solar

Instalación de las mangueras de la bomba

1. Cubra las roscas del buje reductor blanco de 1" a 3/4" con cinta sellante roscada o compuesto para empalmes de tuberías.
2. Atornille el buje reductor blanco en la salida de la bomba. Ajuste manualmente + un (1) giro con una llave de tuercas ajustable de 12".
Torque = 60 pulg-lb (6.8 N-m).
3. Destornille la tapa del adaptador del mismo. Cubra las roscas con cinta sellante roscada o compuesto para empalmes de tuberías.
4. Atornille el adaptador de color negro en el buje reductor blanco. Ajuste manualmente el adaptador + un (1) giro y un cuarto con una llave de tuercas ajustable de 12".
5. Corte la manguera a la longitud necesaria para conectar la bomba potenciadora a la línea de retorno. Podría necesitar moldear el extremo de la manguera para redondear la abertura.
6. Deslice la tapa del adaptador hacia la manguera. Asegúrese de que la tapa del adaptador esté sobre la manguera antes de fijar la manguera al adaptador.
7. Gire y empuje la manguera en el adaptador hasta que se descargue la manguera con las roscas del adaptador. Asegúrese de que el extremo de la manguera esté tocando fondo de forma uniforme en el adaptador.

Nota: Se recomienda tener una segunda llave de tuercas ajustable de 12" para sostener el buje reductor en su lugar mientras ajusta el adaptador.



Conjunto de la manguera completo

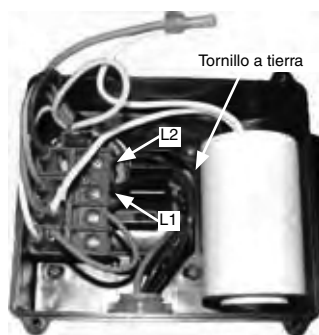
ADVERTENCIA**RIESGO DE CHOQUE ELÉCTRICO O ELECTROCUTACIÓN.**

Esta bomba potenciadora debe instalarla un electricista certificado o con licencia, o en todo caso, un equipo profesional calificado de mantenimiento de conformidad con el Código Nacional Eléctrico actual y todos los códigos y las ordenanzas locales aplicables. Una instalación incorrecta producirá un peligro eléctrico que podría dar como resultado la muerte o una lesión seria a los usuarios de la piscina, instaladores u otros debido a un choque eléctrico, y también podría causar daños a la propiedad.

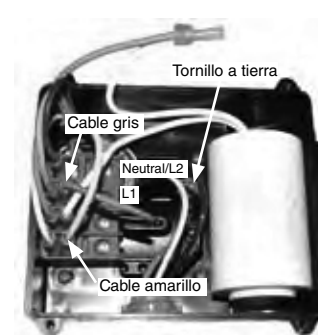
Siempre desconecte la energía de la bomba en el disyuntor antes de realizar el mantenimiento de la bomba. Si incumple con esto, el resultado podría ser la muerte o una lesión seria a los profesionales de mantenimiento, usuarios de la piscina u otros debido a un choque eléctrico.

Conexión de la bomba potenciadora a una fuente de alimentación de CA:

1. Apague todos los disyuntores e interruptores eléctricos antes de cablear el motor.
2. Conecte el cable de conexión al terminal de conexión. Asegúrese de conectar el tornillo para el cable a tierra (verde).
3. Asegúrese de que la tensión del cableado sea de 230 VCA o 115 VCA \pm 10%. Se producirá un daño permanente al motor si la tensión de cableado no coincide.
4. Use AWG #12 para cablear hasta 100 pies (30.5 m) y AWG #10 para longitudes mayores de 100 pies (30.5 m). De ser necesario, use un conductor de mayor calibre (de diámetro más grande). Un mayor calibre permitirá que el motor funcione a menor temperatura y de forma más eficiente.
5. Asegúrese de que todas las conexiones eléctricas estén limpias y ajustadas.
6. Corte los conductores a la longitud apropiada para que no se traslapen o toquen cuando se conecten a la bornera.
7. Conecte a tierra permanentemente el motor usando el terminal a tierra verde. Use AWG #12 para cablear hasta 100 pies (30.5 m) y AWG #10 para longitudes mayores de 100 pies (30.5 m). Use el tamaño y tipo correcto de conductor especificado por el Código Nacional Eléctrico. Asegúrese de que el conductor a tierra esté conectado a un terminal eléctrico a tierra.
8. Conecte el motor a la estructura de la piscina en conformidad con el Código Nacional Eléctrico. UL requiere el uso de un conductor de conexión de cobre sólido que no sea menor a 8 AWG (8.4 mm²).
9. Conecte el conductor de conexión de cobre sólido en el motor a todas las partes de metal de la estructura de la piscina, spa o jacuzzi y a todos los equipos eléctricos, conductos de metal y tuberías de metal dentro de 5 pies (1.5 m) de las paredes internas de la piscina, spa o jacuzzi. Para Canadá se requiere 6 AWG o un conductor de conexión de cobre más grande.



Cableado de 230 VCA (de fábrica)



Cableado de 115 VCA

Cableado de la bomba para 230 VCA

La bomba potenciadora ha sido pre-cableada en fábrica para operar en 230 VCA. *No es necesario hacer cambios al cableado si se está instalando la bomba en una ubicación de 230 VCA.* Los cables deben tenderse a lo largo de un conector hermético para evitar que el agua ingrese al compartimiento del cableado.

Nota: Nunca cablee un motor de 230 voltios a una línea de 115 voltios.

1. Asegúrese de que todos los disyuntores e interruptores eléctricos estén apagados antes de cablear el motor, y que el cable de conexión esté conectado al terminal de conexión.
2. Conecte el cable a tierra al tornillo a tierra (verde).
3. Asegúrese de que la tensión de la fuente de alimentación sea 230 VCA \pm 10%
4. Conecte la Línea 2 (L2) al tornillo que está más a la derecha, etiquetado "N". Conecte la Línea 1 (L1) al tornillo "L"
5. Asegúrese de que la empaquetadura esté en la parte superior de la tapa (la empaquetadura es de color negro) y coloque la tapa de regreso al motor que está cableando la caja.
6. Atornille los cuatro tornillos en la caja, en un patrón cruzado para tener un sello incluso más hermético. Ajuste manualmente en dos secuencias. Primero, ajuste a un torque de 7 pulg-lbs (0.8 N-m), luego ajuste a un torque de 15 pulg-lbs (1.7 N-m).

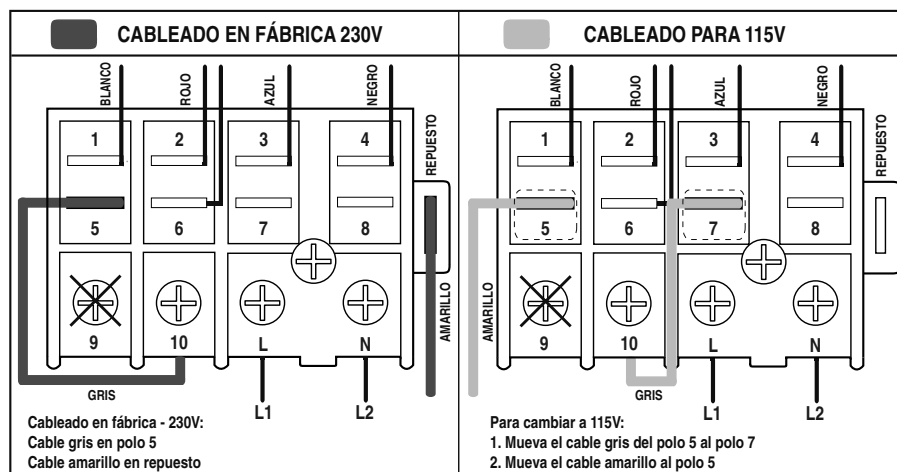
Nota: No ajuste demasiado; esto podría destruir la rosca del tornillo.

Cableado de la bomba para 115 VCA

La bomba potenciadora ha sido cableada para operar en 230 VCA. La bomba también puede operar en 115 VCA cambiando el cableado en la placa de conexión del motor; sólo se necesita mover 2 cables. Los cables deben tenderse a lo largo de un conector hermético para evitar que el agua ingrese al compartimiento del cableado.

Nota: Nunca cablee un motor de 115 voltios a una línea de 230 voltios.

1. Asegúrese de que todos los disyuntores e interruptores eléctricos estén apagados antes de cablear el motor, y que el cable de conexión esté conectado al terminal de conexión.
 2. Conecte el cable a tierra al tornillo a tierra (verde).
 3. Asegúrese de que la tensión de la fuente de alimentación sea 115 VCA \pm 10%
 4. Conecte la Línea 2 (L2) al tornillo que está más a la derecha, etiquetado "N". Conecte la Línea 1 (L1) al tornillo "L"
 5. Mueva el cable gris del polo número 5 al polo número 7.
 6. Mueva el cable amarillo al polo número 5.
 7. Asegúrese de que la empaquetadura esté en la parte superior de la tapa (la empaquetadura es de color negro) y coloque la tapa de regreso al motor que está cableando la caja.
 8. Atornille los cuatro tornillos en la caja, en un patrón cruzado para tener un sello incluso más hermético. Ajuste manualmente en dos secuencias. Primero, ajuste a un torque de 7= pulg-lbs (.8 N-m), luego ajuste a un torque de 15 pulg-lbs (1.7 N-m).
- Nota:** No ajuste demasiado; esto podría destruir la rosca del tornillo.



- ADVERTENCIA** NO haga funcionar la bomba en seco. Si la bomba funciona en seco, el sello mecánico se dañará y la bomba empezará a presentar fugas. Si esto ocurre, se debe reemplazar el sello dañado. SIEMPRE mantenga un adecuado nivel de agua en su piscina. La operación continua de esta manera podría provocar una pérdida de presión, ocasionando daños al estuche de la bomba, la rueda motriz y el sello.
- ADVERTENCIA** El filtro funciona bajo alta presión. Cuando cualquier parte del sistema de circulación (por ej., el anillo de bloqueo, la bomba, el filtro, las válvulas, etc.) recibe mantenimiento, el aire puede ingresar al sistema y volverse presurizado. El aire presurizado puede hacer que la tapa del filtro se separe, lo que puede dar como resultado lesiones severas, la muerte, o daños a la propiedad que a su vez pueden causar daños al estuche de la bomba, a la rueda motriz y al sello, así como daños a la propiedad y lesiones personales. Para evitar este peligro potencial, siga estas instrucciones.

Preparación para la operación

Ya que el filtro funciona bajo presión alta, es importante aliviar cualquier aire presurizado antes de efectuar cualquier tipo de mantenimiento o servicio.

Siga las instrucciones a continuación para aliviar la presión del sistema de filtración.

1. Detenga la bomba, cierre las válvulas en las líneas de succión y descarga y libere toda la presión del sistema antes de proceder.
2. Abra la válvula manual de alivio de aire que esté encima del filtro.
3. Abra la válvula lateral de succión para liberar cualquier aire que haya quedado atrapado. Gire la bomba de filtro y manténgase a distancia del filtro.
4. Purgue aire desde el filtro hasta que salga una corriente constante de agua.
5. Cierre la válvula manual de alivio de aire

Arranque de la bomba

Para el arranque, asegúrese de que la bomba de filtro esté funcionando y que se haya conectado un limpiador automático de piscina antes e iniciar la bomba potenciadora. La bomba potenciadora debe tener un flujo de agua de por lo menos 20 GPM desde el sistema de filtración para evitar que la bomba funcione en seco.

1. Arranque la bomba de filtro al menos 30 minutos antes de iniciar la bomba potenciadora para asegurarse de que la bomba esté preparada.
2. Asegúrese de que todas las válvulas estén abiertas antes de iniciar la bomba potenciadora. Las válvulas de cierre pueden ubicarse entre la bomba de filtro y el filtro o entre la bomba de filtro y la piscina.
3. Abra todas las válvulas de filtración para permitir agua suficiente para la bomba potenciadora durante la operación.

4. Si existe un Sistema de seguridad de liberación de vacío (SVRS) para el filtro y las bombas potenciadoras, configura el SVRS para que cierre ambas bombas.
5. Asegúrese de que el filtro esté limpio y libre de suciedad. Un filtro obstruido reduce el suministro de agua hacia la bomba potenciadora y puede causar daños al sello mecánico de la bomba.

Cronómetro automático

Se recomienda tener un cronómetro automático para la bomba potenciadora para asegurar un flujo adecuado de agua desde el filtro hacia la bomba potenciadora.

1. Configure el cronómetro para que empiece la bomba de filtro al menos 30 minutos antes y para que se detenga 30 minutos después de la bomba potenciadora.
2. Asegúrese de que el limpiador automático de la piscina esté configurado para funcionar solamente la cantidad de tiempo necesaria para limpiar la piscina.
Nota: Operar la bomba potenciadora mientras la bomba de filtro está apagada puede dañar la bomba.
3. Reanude los cronómetros si la energía se detiene o se ve interrumpida. Revise los cronómetros de su sistema para asegurarse de que la bomba de filtro arranque antes que la bomba potenciadora.
4. Se recomienda tener un interruptor manual separado además de un cronómetro automático para apagar la bomba potenciadora si se necesita apagar el sistema de filtro por cualquier motivo.

Ejemplo:

Configure el cronómetro:	Inicio	Detención
Bomba del filtro	8:00 a.m.	2:00 p.m.
Bomba potenciadora	8:30 a.m.	1:30 p.m.

MANTENIMIENTO

Acondicionamiento al invierno

Drene toda el agua de la bomba y las tuberías cuando se esperen temperaturas de congelamiento o cuando almacene la bomba por un extenso período de tiempo. En zonas de climas moderados, cuando se producen condiciones de congelamiento temporales, haga funcionar el sistema de filtro toda la noche para evitar el congelamiento.

Nota: Si la temperatura del aire cae por debajo de los 32° F (0° C), el agua que está en la bomba puede congelarse y ocasionar daños. Los daños por congelamiento no están cubiertos por la garantía.

Prevención de daños por congelamiento

- Apague la corriente eléctrica de la bomba en el disyuntor.
- Abra el tapón de drenaje y permita que el agua drene fuera de la bomba.
- Cierre con la tapa la tubería de ingreso luego del drenaje para mantener el agua fuera de las tuberías.
- Cubra el motor para protegerlo de una fuerte lluvia, nevada y escarchada.
- Evite el uso de plásticos y otros materiales herméticos cuando almacene la bomba. Estos materiales pueden capturar la humedad y corroer el motor durante el almacenamiento.

Cuidados del motor

Protección del motor ante daños por el calor

- Conserve todos los compartimientos bien ventilados para evitar el sobrecalentamiento. Asegúrese de que el ventilador del motor esté funcionando adecuadamente y que el protector del ventilador no haya sido empujado hacia el ventilador.
- Instale la bomba en un sitio que ofrezca buena ventilación cruzada.
- La temperatura máxima del ambiente para el funcionamiento del motor no debe exceder los 122° F / 50° C.

Protección del motor contra la suciedad

- Protéjalo de cualquier materia extraña, es decir, exceso de suciedad, bolsas de plástico, paja de pino, avispas, etc.
- Evite almacenar los químicos de la piscina cerca del motor.
- Evite barrer o esparcir el polvo cerca al motor mientras está en funcionamiento.
- Los motores dañados por exceso de agua o suciedad no están cubiertos por la garantía.

Protección del motor contra la humedad

- Evite las salpicaduras de agua (piscina, rociadores de césped, etc.) ubicadas cerca de la bomba potenciadora.
- Protéjalo de condiciones climáticas extremas (nieve, inundación, temperaturas congelantes) para evitar el exceso de humedad y evitar los daños por congelamiento.
- Evite operar la bomba si se inunda.
- Fije completamente la cubierta del terminal para proteger el cableado de la humedad.
- Este motor es un motor encerrado y enfriado por ventilador, y puede dañarse si ingresa agua al motor. Los motores dañados por el agua y/o la humedad no están cubiertos por la garantía.

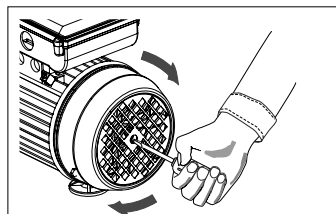
Arranque luego del acondicionamiento al invierno

1. Retire cualquier protección temporal del clima que se encuentre en el sistema.
2. Desconecte todo fuente de energía e inspeccione todo el cableado eléctrico en busca de daños o deterioros durante el período de cierre.
3. Siga el manual de usuario y la instalación del filtro para el arranque del sistema del filtro.
4. Abra todas las válvulas en la succión y las líneas de retorno en el sistema de tuberías.
5. Retire cualquier tapón de acondicionamiento al invierno en el sistema de tuberías.
6. Cierre todas las válvulas de drenaje y reemplace los tapones de drenaje en el sistema de tuberías.
7. Revise todas las conexiones de tuberías en busca de escarcha antes de reconectar las fuentes de alimentación y de reiniciar la bomba.

Nota: La escarcha en la parte externa de la tubería puede indicar una línea congelada. Las tuberías congeladas no permiten que el sistema se prepare adecuadamente y pueden ocasionar que la bomba funcione en seco y se dañe el sello del eje.

Si la bomba no arranca luego de un período de inactivación:

Desconecte toda energía antes de hacer el mantenimiento. Inserte un destornillador plano en el hoyo central del protector del ventilador y gire el eje del motor para liberar el sello. Retire por completo el destornillador antes de reconectar a la fuente de alimentación.

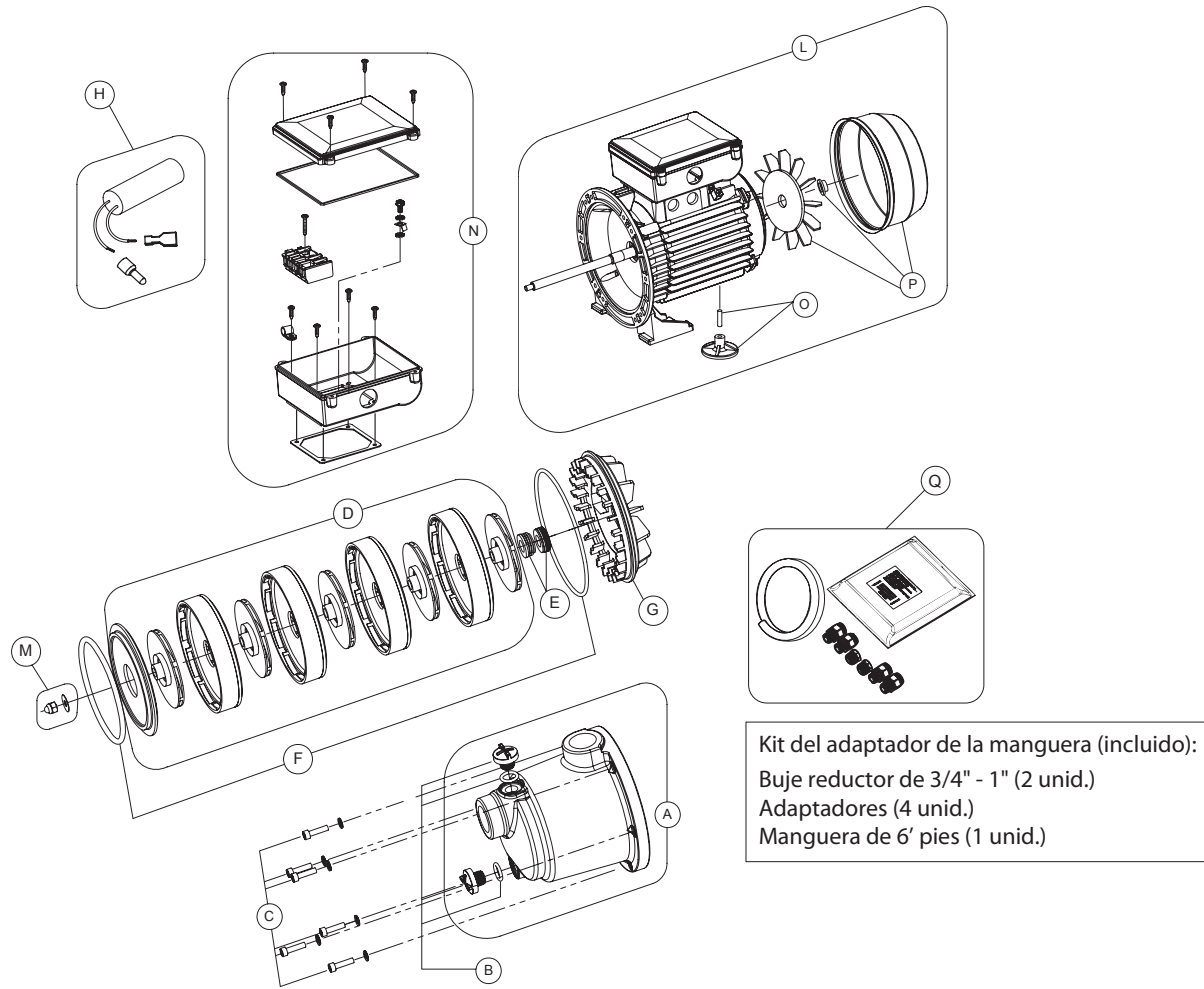


RESOLUCIÓN DE PROBLEMAS

Use la siguiente información para resolver posibles problemas con su bomba potenciadora.

Problema	CAUSA POSIBLE	ACCIÓN CORRECTIVA
El motor de la bomba no funciona.	<p>La corriente está apagada. El circuito está enredado.</p> <p>El protector del ventilador está empujando contra el ventilador.</p> <p>La bomba está en modo OFF (apagado) en un circuito controlado por cronómetro.</p> <p>El cableado del terminal del motor es incorrecto.</p> <p>La rueda motriz está bloqueada por suciedad.</p>	<p>Revise la energía y vuelva a encender. Revise el disyuntor y vuelva a encender.</p> <p>Mueva el protector del ventilador de regreso a su lugar con un martillo y un destornillador</p> <p>Revise el modo cronómetro.</p> <p>Permita que un electricista revise las conexiones de los terminales.</p> <p>Limpie la suciedad de la rueda motriz.</p>
Flujo reducido de la bomba y/o el limpiador funciona demasiado lento.	<p>La línea de entrada y salida está bloqueada.</p> <p>El motor se ha cableado incorrectamente.</p> <p>Bolsas de aire o fugas en la línea de succión.</p> <p>Rueda motriz obstruida.</p> <p>Filtro obstruido.</p>	<p>Revisar en busca de suciedad. Restricción de línea abierta.</p> <p>Revise la conexión del terminal.</p> <p>Revise las válvulas y tuberías de succión. Las tuberías de succión deben tener por lo menos 2' (51 mm) de diámetro.</p> <p>Limpie la suciedad de la rueda motriz. Consulte las páginas 11-12 para obtener instrucciones sobre la remoción.</p> <p>Cierre la bomba y limpie el filtro.</p>
Sobrecalentamiento del motor.	<p>Conexiones incorrectas de suministro eléctrico.</p> <p>El cableado a la bomba es de tamaño muy pequeño.</p> <p>La tensión del suministro de la compañía eléctrica es demasiado baja.</p> <p>Ventilación inadecuada del motor.</p>	<p>Revise el terminal del motor. Ajuste cualquier conexión suelta. Aumente el tamaño del cableado.</p> <p>Revise la tensión de línea; si hay menos del 90% o más del 110% de tensión nominal, consulte con un electricista autorizado.</p> <p>Retire cualquier restricción al flujo de aire para reducir la temperatura del ambiente.</p>
Ruido mecánico.	<p>La bomba está vibrando o haciendo un ruido fuerte en la plataforma del equipo.</p> <p>Cavitación.</p> <p>El protector del ventilador está empujando contra el ventilador.</p>	<p>Revise la ubicación de la bomba; atornille la bomba a la plataforma de concreto. Asegúrese de que las tuberías de succión y descarga tengan un soporte adecuado.</p> <p>Mejore las condiciones de la succión. Aumente el tamaño de las tuberías. Aumente la presión de la descarga. Retire los dobleces o pliegues de las tuberías flexibles de la manguera.</p> <p>Mueva el protector del ventilador de regreso a su lugar con un martillo y un destornillador</p>

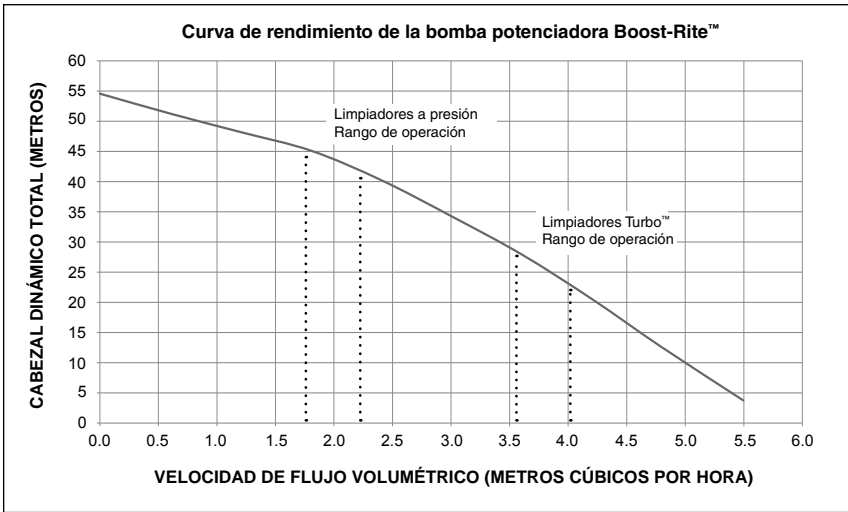
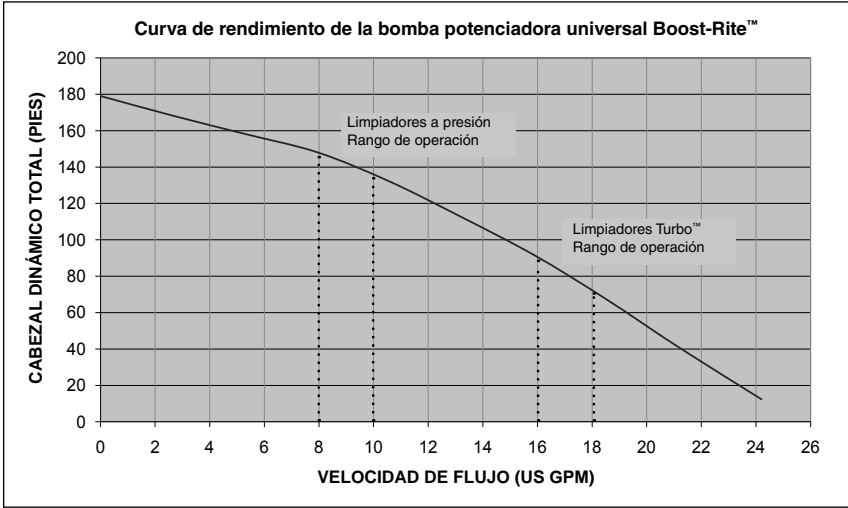
PIEZAS DE REPUESTO



KIT	P/N	DESCRIPCIÓN DEL	KIT	P/N	DESCRIPCIÓN DEL
A	ZBR39320	KIT DEL CUERPO DE LA BOMBA CON TAPONES DE DRENAJE	H	ZBR39340	KIT DEL CONDENSADOR
B	ZBR12160	TAPONES DE DRENAJE CON KIT DE ANILLOS TÓRICOS*	L	ZBR39360	ENSAMBLAJE COMPLETO DEL MOTOR
C	ZBR12170	KIT DE SUJETADORES DEL CUERPO DE LA BOMBA	M	ZBR12270	KIT DE SUJETADORES DEL EJE EXTREMO
D	ZBR39330	KIT HIDRÁULICO	N	ZBR39350	KIT COMPLETO DE LA CAJA DEL CONDENSADOR
E	ZBR43920	KIT DE SELLO MECÁNICO	O	ZBR26910	KIT DE LA BASE
F	ZBR12200	KIT DE ANILLOS TÓRICOS	P	ZBR43810	KIT DEL VENTILADOR
G	ZBR12210	KIT DE PLACA DE SELLO	Q	353040	KIT DEL ADAPTADOR DE LA MANGUERA

*INCLUYE (2) TAPONES DE DRENAJE Y (2) ANILLOS TÓRICOS; LA CARCASA NO ESTÁ INCLUIDA

Curvas de rendimiento





1620 HAWKINS AVE., SANFORD, NC 27330 • (919) 566-8000
10951 WEST LOS ANGELES AVE., MOORPARK, CA 93021 • (805) 553-5000
WWW.PENTAIRPOOL.COM

Todas las marcas comerciales y logos de Pentair son propiedad de Pentair, Inc. Pentair Aquatic Systems™ y Boost-Rite™ son marcas comerciales y/o marcas registradas de Pentair Water Pool and Spa, Inc. y/o sus empresas asociadas en Estados Unidos y/u otros países. A menos que conste expresamente, los nombres comerciales y marcas de terceros que puedan haber sido utilizados en este documento no indican una asociación o respaldo entre los propietarios de estos nombres comerciales y marcas y Pentair Water Pool and Spa, Inc. Esos nombres comerciales o marcas pueden ser marcas comerciales o marcas registradas de estos terceros. Debido a que estamos constantemente mejorando nuestros productos y servicios, Pentair se reserva el derecho de modificar las especificaciones sin previo aviso. Pentair es un empleador que ofrece igualdad de oportunidades.

© 2013 Pentair Aquatic Systems. Todos los derechos reservados. Este documento está sujeto a cambios sin previo aviso.



P/N 353042 REV. A 3/22/13



POMPE D'APPOINT UNIVERSELLE BOOST-RITE™



GUIDE D'INSTALLATION ET D'UTILISATION

CONSIGNES IMPORTANTES DE SÉCURITÉ
LIRE ET SUIVRE TOUTES LES DIRECTIVES
CONSERVER CES DIRECTIVES

SERVICE À LA CLIENTÈLE/SOUTIEN TECHNIQUE

Pour toute question sur la commande de pièces de rechange et produits pour piscines Pentair Aquatic Systems, Inc., prière de communiquer avec :

Services à la clientèle et soutien technique

(8 h à 16 h 30 — Est/Pacifique)

Tél. : 800 831-7133

Télec. : 800 284-4151

Site internet

Visiter www.pentairpool.com ou www.staritepool.com

Sanford, North Carolina (8 h à 4 h 30 HE)

Tél. : 919 566-8000

Télec. : 919 566-8920

Moorpark, California (8 h à 16 h 30 - Pacifique)

Tél. : 805 553-5000 (poste 5591)

Télec. : 805 553-5515

TABLE DES MATIÈRES

Avertissements importants sur la pompe et consignes de sécurité	ii	Câblage électrique	5
Aperçu de la pompe	1	Raccordement à une source de courant alternatif	5
Aperçu et caractéristiques	1	Raccordement pour un courant de 230 Vc.a.	6
Caractéristiques électriques	1	Raccordement de la pompe pour courant 115 Vc.a.	6
Dimensions de la pompe	1	Utilisation	7
Installation	2	Démarrage de la pompe	7
Emplacement	2	Minuterie automatique	7
Tuyaux	2	Entretien	8
Installation typique	2	Hivernage et démarrage	8
Installation avec un chauffe-eau	3	Entretien du moteur	8
Installation avec convertisseur héliothermique	3	Dépannage	9
Installation avec piscine et spa combinés	3	Pièces de rechange	10
Installation des tuyaux de la pompe	4	Liste illustrée des pièces	10
		Courbes de performance	11

LIRE ET SUIVRE TOUTES LES DIRECTIVES

CONSERVER CES DIRECTIVES



Symbole d'avertissement de sécurité. En voyant ce symbole sur le système ou dans ce manuel, rechercher un des mots de signal suivants et prendre conscience du potentiel de blessures personnels.



DANGER Avertissement sur des dangers qui peuvent causer la mort, des blessures graves ou des dommages matériels conséquents s'ils sont ignorés.



AVERTISSEMENT Avertissement sur des dangers qui pourraient causer la mort, des blessures graves ou des dommages matériels conséquents s'ils sont ignorés.



MISE EN GARDE Avertissement sur des dangers qui peuvent causer des petites blessures ou des dommages matériels mineurs s'ils sont ignorés.

REMARQUE indique des consignes particulières sans rapport avec les dangers. Lire attentivement et suivre toutes les consignes de sécurité dans ce manuel et sur les appareils. Maintenir les étiquettes de sécurité en bonne condition; les remplacer si elles sont retirées ou abîmées.

REMARQUE IMPORTANTE



Ce guide contient les consignes d'installation et d'utilisation pour ce produit. Consulter Pentair si on a des questions concernant ce matériel.

À l'attention de l'installateur : ce guide contient des renseignements importants sur l'installation, le fonctionnement et l'utilisation sécuritaire de ce produit. Cette information doit être remise au propriétaire ou à l'utilisateur de cet équipement après l'installation de la pompe ou être déposée près de la pompe.

À l'attention de l'utilisateur : ce manuel contient des renseignements importants qui vous aideront à utiliser et à assurer l'entretien de ce produit. Prière de conserver pour référence future.

AVERTISSEMENTS IMPORTANTS ET CONSIGNES DE SÉCURITÉ

Quand vous installer et utiliser ce matériel électrique, des consignes de sécurité de base doivent toujours être suivies, dont les suivantes :

AVERTISSEMENT Ne pas permettre aux enfants d'utiliser ce produit.

AVERTISSEMENT **RISQUE DE CHOC ÉLECTRIQUE.** Ne brancher qu'à un circuit de dérivation protégé par un disjoncteur de fuite à la terre. Communiquer avec un électricien qualifié si vous n'êtes pas en mesure de vérifier si le circuit est protégé par un disjoncteur de fuite à la terre.

AVERTISSEMENT Cet appareil doit être branché uniquement à un circuit d'alimentation protégé par un disjoncteur de fuite à la terre. Ce disjoncteur doit être fourni par l'installateur et doit être inspecté régulièrement. Pour tester le disjoncteur, appuyer sur le bouton TEST. Le disjoncteur devrait couper le courant. Appuyer sur le bouton de réinitialisation. Le courant devrait revenir. Si le disjoncteur ne fonctionne pas ainsi, il est défaillant. Si le disjoncteur coupe le courant de la pompe sans avoir appuyé sur le bouton d'essai, il existe un courant de terre, ce qui indique un risque d'électrocution. Ne pas utiliser cette pompe. Débrancher la pompe et faire corriger le problème par un réparateur qualifié avant de l'utiliser.

MISE EN GARDE Cette pompe est conçue pour une utilisation dans des piscines permanentes et peut également être utilisée dans des bassins chauffés et des spas si elle porte cette indication. Ne pas utiliser dans une piscine démontable. Une piscine permanente est construite dans le sol ou sur le sol, ou dans un bâtiment et ne peut pas être démontée aux fins d'entreposage. Une piscine démontable est construite de façon à pouvoir être démontée aux fins d'entreposage et remontée pour revenir à son état d'origine.

Avertissements généraux

- La pompe d'appoint n'est pas submersible.
- Les exigences du code électrique peuvent être différentes d'une région à l'autre. Installer le matériel conformément au National Electrical Code le plus récent et tout code ou ordonnance pertinents de votre région.
- Avant d'entretenir la pompe; mettre la pompe hors tension en débranchant le circuit principal sur lequel la pompe est branchée.
- Cet appareil n'est pas conçu pour être utilisé par des personnes (y compris des enfants) dont les facultés physiques, sensorielles ou mentales sont réduites, ou qui n'ont pas l'expérience ou les connaissances nécessaires, sans la surveillance ou les instructions de sécurité d'une personne responsable de leur sécurité.

DANGER LE NON RESPECT DE CES CONSIGNES ET DE CES AVERTISSEMENTS PEUT ENGENDRER DES BLESSURES GRAVES OU LA MORT. **CETTE POMPE DOIT ÊTRE INSTALLÉE ET ENTRETENUE UNIQUEMENT PAR UN PROFESSIONNEL QUALIFIÉ EN ENTRETIEN DE PISCINES. LES INSTALLATEURS, LES UTILISATEURS ET LES PROPRIÉTAIRES DE LA PISCINE DOIVENT LIRE CES AVERTISSEMENTS ET TOUTES LES INSTRUCTIONS DU MODE D'EMPLOI AVANT D'UTILISER CETTE POMPE. CES AVERTISSEMENTS ET LE MODE D'EMPLOI DOIVENT RESTER DANS LA POSSESSION DU PROPRIÉTAIRE DE LA PISCINE.**

DANGER DANGER D'ENCHEVÊTREMENT PAR ASPIRATION : S'ÉLOIGNER DU CONDUIT DE DRAINAGE PRINCIPAL ET DE TOUTES LES OUVERTURES D'ASPIRATION!



CETTE POMPE A UNE GRANDE FORCE D'ASPIRATION ET CRÉE UN VIDE SOUS PRESSION AU FOND DU BASSIN. CETTE FORCE D'ASPIRATION EST SUFFISANTE POUR RETENIR UN ADULTE OU UN ENFANT SOUS L'EAU S'IL S'APPROCHE D'UN CONDUIT OU D'UN COUVERCLE OU D'UNE GRILLE MOBILE OU BRISÉ.

DANGER **RISQUE DE CHOC ÉLECTRIQUE OU D'ÉLECTROCUTION : LES POMPES FONCTIONNENT SOUS HAUTE TENSION, CE QUI PEUT CAUSER DES DÉCHARGES, DES BRÛLURES OU LA MORT. AVANT DE TRAVAILLER SUR LA POMPE!** Débrancher toujours le courant de la

pompe de la piscine au niveau du disjoncteur avant d'effectuer l'entretien de la pompe. Le non respect de cette consigne peut engendrer la mort ou des blessures graves au réparateur, aux utilisateurs de la piscine ou à d'autres personnes par choc électrique.

LE FAIT D'UTILISER UN COUVERCLE NON APPROUVÉ OU D'AUTORISER LA PISCINE OU LE SPA À ÊTRE UTILISÉ ALORS QUE LES COUVERCLES SONT ABSENTS, FÊLÉS OU BRISÉS PEUT ENTRAÎNER DES ACCIDENTS COMME LE CORPS OU DES MEMBRES ENCHEVÊTRÉS, LES CHEVEUX COINCÉS, L'ÉVISCÉRATION OU LA MORT.

L'aspiration au niveau d'une sortie ou d'un drain peut causer :

Enchevêtrement de membres : Quand un membre est aspiré ou inséré dans une ouverture résultant en une torsion ou un gonflement. Ce danger existe si un couvercle de drainage est absent, brisé, mobile, fêlé ou fixé incorrectement.

Cheveux coincés : Quand les cheveux s'emmêlent ou se nouent au couvercle de drainage, retenant le nageur sous l'eau. Ce danger existe si le débit pour lequel est conçu le couvercle de drainage est insuffisant pour les pompes installées.

Corps enchevêtré : Quand une partie du corps est retenue contre le couvercle de drainage, retenant le nageur sous l'eau. Ce danger existe si le couvercle de drainage est absent ou brisé ou que le débit pour lequel il est conçu est insuffisant pour les pompes installées.

Éviscération / démembrement : Quand une personne s'assoit sur une sortie de conduit ouverte dans une piscine (particulièrement le bassin pour enfants) ou un spa et que les intestins sont aspirés directement, causant des lésions graves aux intestins. Ce danger existe si le couvercle de drainage est absent, mobile, fêlé ou fixé incorrectement.

Enchevêtrement mécanique : Quand un bijou, un costume de bain, une épingle à cheveux, un doigt, un orteil ou une phalange est coincé dans une ouverture d'une sortie ou d'un couvercle de drainage. Ce danger existe si le couvercle de drainage est absent, brisé, mobile, fêlé ou fixé incorrectement.

REMARQUE : TOUTE LA TUYAUTERIE DU CÔTÉ ASPIRATION DOIT ÊTRE INSTALLÉE CONFORMÉMENT AUX CODES, NORMES ET DIRECTIVES NATIONALES ET RÉGIONALES LES PLUS RÉCENTES.

AVERTISSEMENTS IMPORTANTS ET CONSIGNES DE SÉCURITÉ

La loi Virginia Graeme Baker (VGB) sur les piscines et spas crée de nouvelles exigences pour les propriétaires et les utilisateurs de piscines et spas commerciaux.

Les piscines ou spas commerciaux construits le 19 décembre 2008 ou plus tard devront employer :

(A) Un système comportant plusieurs conduits de drainage sans capacité d'isolation conforme à la norme ASME/ANSI A112.19.8a « Suction Fittings for Use in Swimming Pools, Wading Pools, Spas, and Hot Tubs » et soit :

- (i) Un système de sécurité brise-vide conforme à la norme ASME/ANSI A112.19.17 « Manufactured Safety Vacuum Release systems (SVRS) for Residential and Commercial Swimming Pool, Spa, Hot Tub, and Wading Pool Suction Systems » ou la norme ASTM F2387 « Standard Specification for Manufactured Safety Vacuum Release Systems (SVRS) for Swimming pools, Spas and Hot Tubs », soit
- (ii) une grille conçue et testée adéquatement pour limiter la force d'aspiration, soit
- (iii) un système de mise hors tension automatique de la pompe.

Les piscines et spas construits avant le 19 décembre 2008 avec une seule bouche d'aspiration submergée conforme à la norme ASME/ANSI A112.19.8a et soit :

- (A) Un système brise-vide conforme ASME/ANSI A112.19.17 ou ASTM F2387, soit
- (B) une grille conçue et testée adéquatement pour limiter la force d'aspiration, soit
- (C) un système de mise hors tension automatique de la pompe, soit
- (D) les bouches submergées désactivées, soit
- (E) les bouches d'aspiration reconfigurées en conduit de recirculation.

▲ DANGER



PRESSION DANGEREUSE : RESTER À L'ÉCART DE LA POMPE ET DU FILTRE PENDANT LE DÉMARRAGE.

Les systèmes de circulation fonctionnent sous haute pression. Quand toute partie du système de circulation (p. ex., un anneau de serrage, une pompe, un filtre, une soupape, etc.) est entretenue, de l'air peut entrer dans le système et devenir pressurisé. L'air comprimé peut séparer violemment le couvercle du filtre et les soupapes, ce qui peut causer des blessures graves ou même le décès. Le couvercle du réservoir du filtre doit être fixé adéquatement afin de prévenir une séparation brusque. S'éloigner de toute partie du matériel du système de circulation lors du démarrage de la pompe ou de sa mise sous tension.

Avant d'entretenir le matériel, noter la pression mesurée du filtre. S'assurer que toutes les commandes soient configurées de manière à ce que le système ne puisse pas démarrer accidentellement pendant l'entretien. Mettre la pompe complètement sous tension. **IMPORTANT : Placer la soupape de décharge pneumatique manuelle en position ouverte et attendre que toute la pression sorte du système.**

Avant de démarrer le système, ouvrir complètement la soupape de décharge pneumatique manuelle et mettre toutes les soupapes en position ouverte afin de permettre à l'eau d'entrer et de sortir librement du réservoir. S'éloigner de tout matériel et démarrer la pompe.

IMPORTANT : ne pas refermer la soupape de décharge pneumatique manuelle avant que toute la pression soit sortie de la soupape et qu'un filet d'eau continu soit apparu. Vérifier l'indicateur de pression du filtre et s'assurer qu'elle n'est pas plus élevée qu'avant le début de l'entretien.

Informations générales d'installation

- Tous les travaux doivent être effectués par un professionnel qualifié et doit se conformer à tout code national, provincial ou local.
- L'installation doit comprendre une issue de drainage pour le compartiment des composants électriques.
- Ces instructions contiennent des renseignements portant sur plusieurs modèles de pompe; certaines instructions peuvent ne pas s'appliquer à certains modèles. Tous les modèles sont conçus pour être utilisés dans des piscines. La pompe ne fonctionnera correctement que si la taille choisie est adéquate pour l'utilisation prévue et qu'elle est installée correctement.

▲ AVERTISSEMENT

Une pompe dont la taille est inadéquate, qui n'est pas installée correctement, ou qui est utilisée dans une autre optique que celle pour laquelle elle est conçue peut constituer un risque de blessure grave ou de décès. Ces risques peuvent comprendre entre autres l'électrocution, un incendie, un enchevêtrement par aspiration ou une blessure grave, ou des dommages matériels causés par des dommages structurels à la pompe ou un autre élément du système.

▲ AVERTISSEMENT

La pompe peut produire une aspiration très forte au niveau du conduit d'aspiration de la tuyauterie. Cette aspiration puissante peut poser un risque si une personne s'approche de l'ouverture du conduit d'aspiration. Une personne peut se blesser gravement si elle est aspirée ou se retrouver coincée et se noyer. Il est absolument crucial que la tuyauterie reliée au conduit d'aspiration soit installée conformément aux codes nationaux et régionaux relatifs aux piscines les plus récents.

CONSERVER CES DIRECTIVES

▲ AVERTISSEMENT

POUR RÉDUIRE LE RISQUE DE BLESSURE PAR ENCHEVÊTREMENT DÛ À L'ASPIRATION :

- Un couvercle de conduit d'aspiration approuvé ANSI/ASME A112.19.8 doit être installé et fixé correctement sur chaque ouverture de drainage.
- Les couvercles de conduit d'aspiration doivent être installés au moins trois (3) pi (0,9 m) les uns des autres, mesures prises aux points les plus proches.
- Inspecter régulièrement tous les couvercles afin de déceler les marques de dommages et les signes d'usure avancée.
- Si un couvercle devient mobile, fêlé, endommagé, brisé ou est absent, le remplacer par un couvercle de rechange adapté.
- Remplacer les couvercles de drainage au besoin. Les couvercles de drainage se détériorent à long terme en raison de l'exposition au soleil et aux intempéries.
- Éviter d'approcher vos cheveux ou toute partie du corps de tout couvercle de conduit d'aspiration, ouverture de drainage ou sortie.
- Désactiver les ouvertures du conduit d'aspiration ou les reconfigurer en courant de retour.

▲ AVERTISSEMENT

Un interrupteur d'arrêt d'urgence pour la pompe indiqué clairement doit exister dans un endroit facile d'accès et évident. S'assurer que les utilisateurs sachent où il se trouve et comment l'utiliser en cas d'urgence.

▲ MISE EN GARDE



Installation de commandes électriques sur le panneau de contrôle du matériel (interrupteurs marche/arrêt, minuterie et gestion automatisée de la consommation électrique).

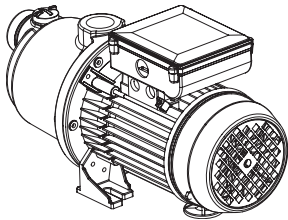
Installer toutes les commandes électriques sur le panneau de contrôle du matériel, comme les interrupteurs marche/arrêt, les minuteries ou les systèmes de contrôle, etc., de tout filtre ou pompe de façon à ce que l'utilisateur ne place aucune partie de son corps au-dessus ou près du couvercle de la grille de la pompe, du couvercle du filtre ou des soupapes de fermeture. Cette installation doit laisser à l'utilisateur suffisamment d'espace pour se tenir à l'écart du filtre et de la pompe pendant le démarrage ou l'arrêt du système ou l'entretien de son filtre.

APERÇU DE LA POMPE

Aperçu

La pompe d'appoint universelle Boost-Rite™ achemine de l'eau à forte pression au circuit pressurisé de votre nettoyeur de piscine automatique. La pompe d'appoint universelle ne s'amorce pas automatiquement et ne doit donc pas être mise en marche si la pompe de filtration ne l'est pas.

- Pompe d'appoint 1,1 CV
- Pression de 50 lb/po² à 13,2 gal./min.
- À base de matériaux durables et résistants à la corrosion.
- Tuyau et adaptateurs fournis.
- Parfait pour remplacer les pompes d'appoint en circuit pressurisé.



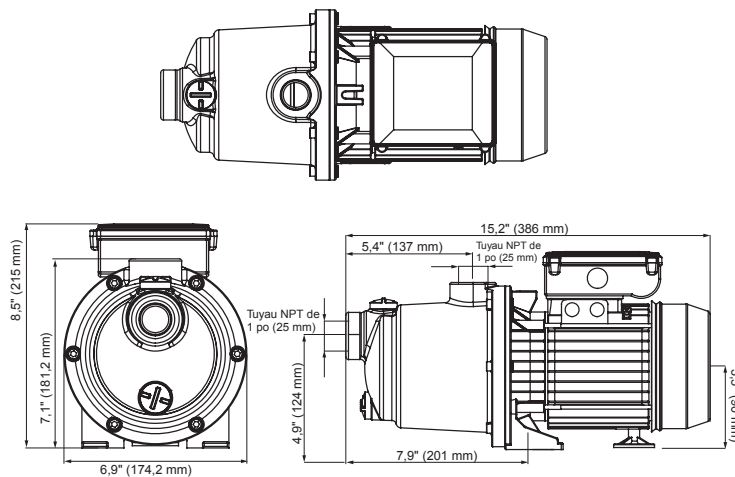
Pompe d'appoint universelle Boost-Rite

Caractéristiques électriques

Moteur : 115/230 V c.a., 60 Hz, monophasé, moteur à deux pôles, 1,1 CV / 10,2-5,1 A.

Température ambiante max.	122 °F / 50 °C
Température de l'eau max.	104 °F / 40 °C
Salinité max. de l'eau	0,4%
Intervalle de pH	4-9
Type de protection	IP44
Catégorie d'isolant	F
Tours par minute (tr/min)	3450
Niveau de bruit max.	75 dB(A)
Cadre du moteur	IEC 71 TEFC
Phases	Monophasé
Tuyau d'entrée/de sortie	Tuyau NPT de 1 po (25 mm)
Conception hydraulique	5 étages

Dimensions de la pompe



INSTALLATION

La Pompe d'appoint Boost-Rite™ doit être installée par un professionnel dûment qualifié. Consulter la section « Consignes de sécurité et avertissements importants » aux pages ii à iv pour connaître les consignes de sécurité.

Emplacement

1. Toujours raccorder la pompe d'appoint à la conduite de refoulement du côté où l'eau est évacuée par le filtre.
2. Installer la pompe aussi près de la piscine ou du spa que possible. Pour réduire les pertes d'énergie liées à la friction et augmenter l'efficacité, employer des tuyaux d'aspiration et de refoulement courts et directs.
3. Installer la pompe sur une surface horizontale et ferme. Nous recommandons de visser la pompe sur une dalle de béton afin d'éviter les bruits liés à la vibration pendant qu'elle est en marche.
4. Installer la pompe d'appoint à 5 pi (1,5 m) ou plus de la paroi interne de la piscine ou du spa. Au Canada, l'installation exige un écart minimum de 9,8 pi (3 m).
5. Installer la pompe à 3 pi (0,9 m) au minimum de la sortie du chauffe-eau.
6. Ne pas installer la pompe à plus de 8 pi (2,4 m) au-dessus ou à plus de 3 pi (0,9 m) sous le niveau de l'eau.
7. Installer la pompe dans un endroit bien ventilé protégé contre l'humidité excessive (c.-à-d., gouttières, systèmes d'arrosage, éclaboussements, etc.).
8. Pour les bassins d'eau chaude et les spas, ne pas installer l'appareil dans l'enceinte externe ou sous la bordure.
9. Pour permettre la ventilation et l'entretien de la pompe, installer en réservant un espace à l'arrière d'au moins 12 po (0,3 m) de tout mur ou structure. S'assurer d'avoir suffisamment d'espace pour le conduit d'échappement du ventilateur.

Tuyaux en PVC

1. Utiliser des tuyaux en PVC d'au moins 1 po (25 mm). Si des tuyaux de 1 po (25 mm) de diamètre sont utilisés côté aspiration, et qu'ils font plus de cinq (5) pi (1,5 m) de long, un tuyau de diamètre plus grand (1,5 ou 2 po [38 ou 51 mm]) est recommandé.
2. Pour réduire l'usure de la pompe, installer des supports indépendants sur les tuyaux d'aspiration et de refoulement. Placer ces supports près de la pompe.
3. Pencher légèrement le tuyau d'aspiration vers le haut en direction de la pompe pour éviter le blocage d'air.

Remarque : pour éviter les inondations lorsque vous mettez la pompe hors service, s'assurer que tous les systèmes d'aspiration contenant de l'eau possèdent une soupape antiretour (à bille ou à clapet) au niveau des tuyaux d'aspiration et de refoulement.

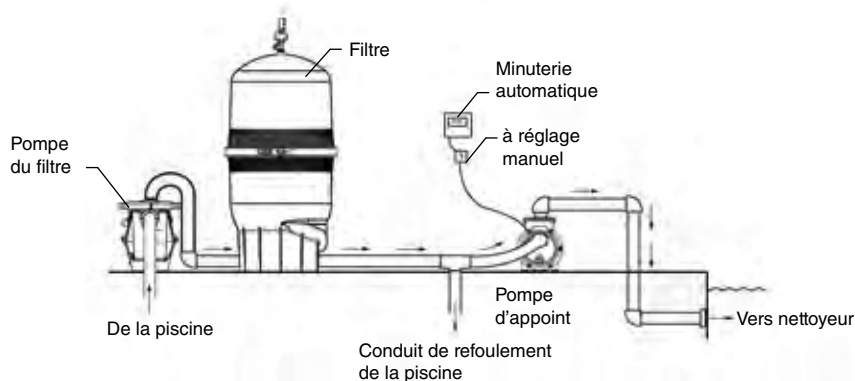
Tuyaux flexibles

La pompe d'appoint est fournie avec des tuyaux flexibles et des adaptateurs pouvant remplacer des tuyaux en PVC. S'assurer que le tuyau ne comporte pas de plis pouvant bloquer le débit. Des bruits de vibration peuvent apparaître si la pompe d'appoint est installée avec des tuyaux flexibles.

Installation typique

Raccorder le côté aspiration de la pompe d'appoint en aval du filtre afin que la pompe d'appoint soit alimentée en eau filtrée.

La pompe d'appoint doit toujours être raccordée à la conduite de refoulement du côté où l'eau est évacuée du filtre.



Installation typique

Installation avec un chauffe-eau

Pour installer la pompe d'appoint dans un système qui comporte un chauffe-eau, installer un raccord en T en aval du filtre. Le raccord en T achemine une partie de l'eau à la pompe d'appoint et l'autre au chauffe-eau.

Ne pas raccorder la pompe d'appoint directement au chauffe-eau; l'eau chaude pourrait endommager la pompe d'appoint si le chauffe-eau est défectueux.

S'assurer d'installer la pompe d'appoint à au moins 3 pi (0,9 m) du chauffe-eau afin d'éviter une température ambiante excessive.

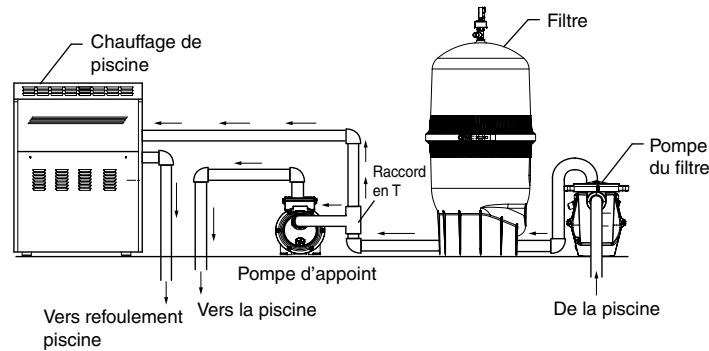
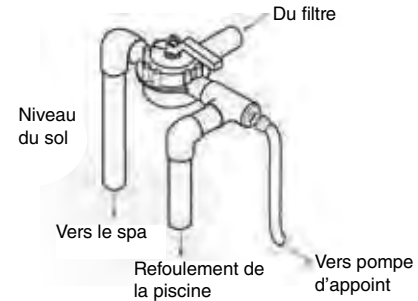
Installation avec convertisseur héliothermique

Avec ou sans chauffe-eau au gaz, installer un raccord en T en série sur la conduite de refoulement entre le filtre et le convertisseur.

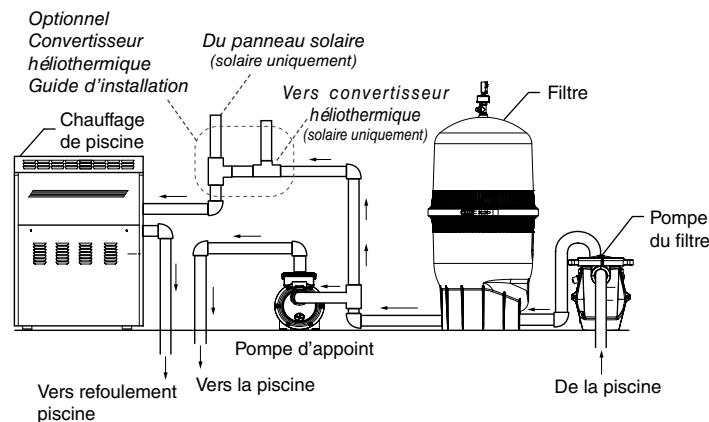
Cela permet de réduire le risque de blocage d'air dans la pompe d'appoint à chaque fois que le panneau solaire se remplit, et assure une alimentation en eau constante.

Installation avec ensemble piscine et spa

Si la tuyauterie de votre piscine permet d'avoir un ensemble piscine et spa, raccorder le circuit d'aspiration de la pompe d'appoint en amont de la soupape de dérivation du spa. S'assurer d'installer la pompe d'appoint à au moins 3 pi (0,9 m) du chauffe-eau afin d'éviter une température ambiante excessive. Consulter l'illustration ci-dessous pour voir la configuration des raccords.



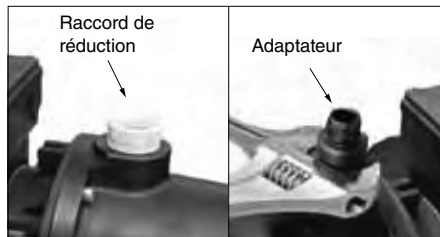
Installation avec un chauffe-eau



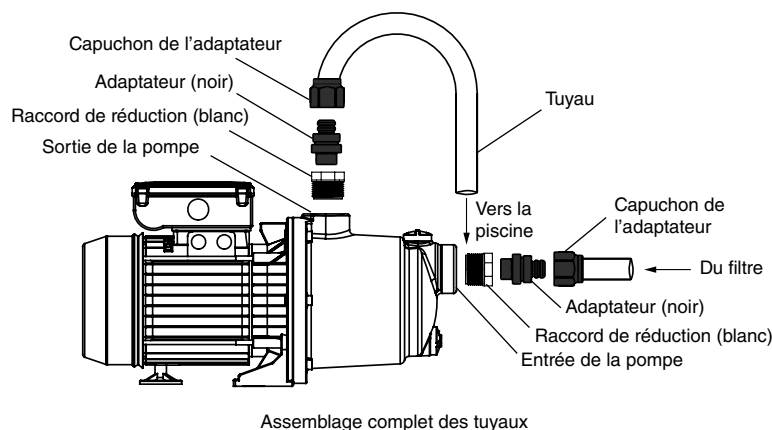
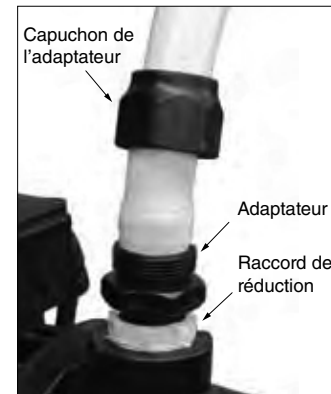
Installation avec convertisseur héliothermique

Installation des tuyaux de la pompe

1. Recouvrir le filetage du raccord de réduction de 1 po à $\frac{3}{4}$ po blanc à l'aide de ruban d'étanchéité pour raccords filetés ou d'enduit pour raccords de tuyau.
2. Visser le raccord de réduction blanc dans l'orifice de sortie de la pompe. Serrer à la main, puis faites un (1) tour à l'aide d'une clef à molette de 12 po (30 mm). *Couple de serrage = 60 po.lb (6,8 N.m).*
3. Dévisser le capuchon de l'adaptateur. Recouvrir le filetage à l'aide de ruban d'étanchéité ou d'enduit pour raccords de tuyau.
4. Visser l'adaptateur noir dans le raccord de réduction blanc. Serrer l'adaptateur à la main, puis faites un (1) tour et quart à l'aide d'une clef à molette de 12 po (30 mm).
Remarque : on recommande d'utiliser une deuxième clef à molette de 12 po (30 mm) pour tenir le raccord de réduction pendant le serrage de l'adaptateur.
5. Couper le tuyau à la longueur nécessaire pour raccorder la pompe d'appoint au conduit de refoulement. Il sera peut-être nécessaire de poncer l'extrémité du tuyau pour arrondir l'ouverture.



6. Glisser le capuchon de l'adaptateur sur le tuyau. S'assurer que le capuchon de l'adaptateur soit bien sur le tuyau avant de raccorder le tuyau à l'adaptateur.
 7. Rentrer le tuyau dans l'adaptateur en tournant et en poussant jusqu'à ce que le tuyau soit aligné avec le filetage de l'adaptateur. S'assurer que l'extrémité du tuyau épouse uniformément le fond de l'adaptateur.
- Remarque :** pour faciliter le raccordement du tuyau, on peut le chauffer ou le passer à l'eau chaude (la chaleur rendra le tuyau plus flexible).
8. Visser le capuchon de l'adaptateur sur l'adaptateur pour fixer le tuyau. Serrer le capuchon de l'adaptateur à la main. Faites un (1) tour à l'aide d'une clef si nécessaire.
 9. Effectuer les étapes 1 à 8 une fois pour le tuyau de sortie et une fois pour le tuyau d'entrée. S'assurer que le tuyau ne fait pas de plis ou d'angles aigus l'acheminant.





DANGER DE CHOC ÉLECTRIQUE OU D'ÉLECTROCUTION.

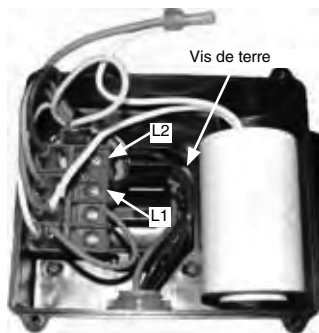


Cette pompe d'appoint doit être installée par un électricien dûment certifié ou autorisé ou un professionnel en réparation de piscine qualifié conformément au National Electrical Code actuel et à tout code ou ordonnance pertinente de la région. Une installation incorrecte constitue un danger électrique qui pourrait causer la mort ou des blessures graves pour les utilisateurs de la piscine, les installateurs ou autres personnes en cas de choc électrique, ainsi que des dommages matériels.

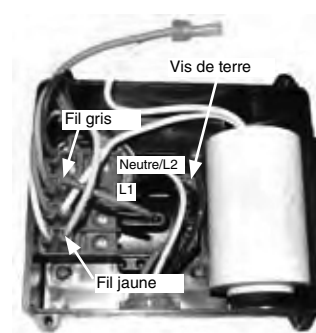
Éteindre toujours le courant de la pompe d'appoint au niveau du disjoncteur avant de l'entretenir. Tout manquement à ces consignes pourrait causer la mort ou des blessures graves pour les réparateurs, les utilisateurs de la piscine ou autres personnes en cas de choc électrique.

Raccordement de la pompe d'appoint à une source de courant alternatif :

1. Éteindre tous les interrupteurs et débrancher tous les fusibles avant de raccorder les fils au moteur.
2. Raccorder le fil de masse à la cosse de masse. S'assurer de raccorder le fil de terre à la vis de terre (verte).
3. S'assurer que la tension du câblage est de 230 Vc.a. ou de 115 Vc.a. $\pm 10\%$ Le moteur subira des dommages irréversibles si la tension du câblage est incorrecte.
4. Utiliser du fil n° 12 AWG si le fil fait moins de 100 pi (30 m) ou n° 10 AWG s'il fait plus de 100 pi (30 m) Si nécessaire, utiliser un fil de calibre (diamètre) plus élevé. Un calibre plus élevé génère moins de chaleur et améliore le rendement énergétique du moteur.
5. S'assurer que tous les raccords électriques sont propres et serrés adéquatement.
6. Couper adéquatement l'extrémité des conducteurs pour qu'ils ne se touchent pas et ne se chevauchent pas sur le panneau de branchement.
7. Relier le moteur à la terre de manière permanente à l'aide de la prise de terre verte. Utiliser du fil n° 12 AWG si le fil fait moins de 100 pi (30 m) ou n° 10 AWG s'il fait plus de 100 pi (30 m) Utiliser un fil de type et de calibre adéquat en vertu du National Electrical Code. S'assurer que le fil de terre est relié à une terre du service électrique.
8. Raccorder le moteur à la structure de la piscine conformément au National Electrical Code. La norme UL exige l'emploi d'un conducteur en cuivre massif d'un calibre d'au moins 8 AWG (8,4 mm²).
9. Raccorder le conducteur en cuivre massif du moteur à toutes les parties métalliques de la structure de la piscine, du spa, ou du bassin chauffé et à tout matériel électrique, conduit métallique ou tuyau métallique dans un rayon de 5 pi (1,5 m) des paroi internes de la piscine, du spa ou du bassin chauffé. Au Canada, un fil de masse en cuivre d'un calibre d'au moins 6 AWG est exigé.



Raccordement 230 Vc.a. (usine)



Raccordement 115 Vc.a.

Raccordement pour un courant de 230 Vc.a.

La pompe d'appoint est réglée en usine pour accepter du courant 230 Vc.a. *Aucun changement aux fils n'est nécessaire si la pompe est raccordée à une ligne 230 Vc.a.* Les fils doivent être passés par un raccord étanche afin d'empêcher l'eau de pénétrer dans le compartiment à fils.

Remarque : ne jamais raccorder un moteur 230 V à du courant 115 V.

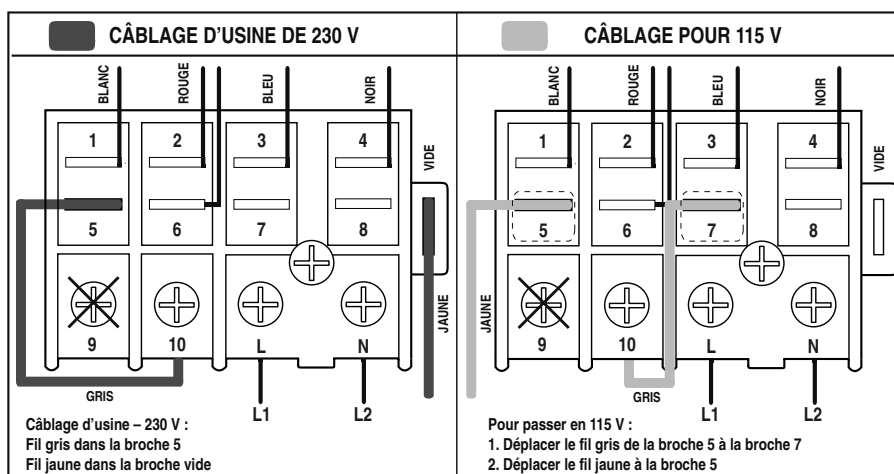
1. S'assurer que tous les disjoncteurs et les interrupteurs sont en position éteinte avant de brancher le moteur et de raccorder le fil de masse à la cosse de masse.
2. Raccorder le fil de terre à la vis de terre (verte).
3. S'assurer que la tension de l'alimentation électrique est de 230 Vc.a. $\pm 10\%$
4. Raccorder la ligne 2 (L2) à la vis la plus à droite, désignée par « N ». Raccorder la ligne 1 (L1) à la vis « L ».
5. S'assurer que la rondelle est dans le haut du couvercle (la rondelle est noire) et remettre le couvercle sur le compartiment à fils du moteur.
6. Visser les quatre vis sur le compartiment en ordre croisé pour assurer une étanchéité uniforme. Serrer à la main en deux étapes. D'abord, serrer jusqu'à 7 po.lb (0,8 N.m), puis serrer jusqu'à 15 po.lb (1,7 N.m). **Remarque :** ne pas trop serrer –la vis pourrait s'endommager.

Raccordement de la pompe pour courant 115 Vc.a.

La pompe d'appoint est conçue pour un courant d'alimentation de 230 Vc.a. La pompe peut également fonctionner en 115 Vc.a. en changeant les fils sur la plaque de branchement du moteur; il suffit de déplacer 2 fils. Les fils doivent être passés par un raccord étanche afin d'empêcher l'eau de pénétrer dans le compartiment à fils.

Remarque : ne jamais raccorder un moteur 115 Vc.a. à du courant 230 V.

1. S'assurer que tous les disjoncteurs et les interrupteurs sont en position éteinte avant de brancher le moteur et de raccorder le fil de masse à la cosse de masse.
2. Raccorder le fil de terre à la vis de terre (verte).
3. S'assurer que la tension de l'alimentation électrique est de 115 Vc.a. $\pm 10\%$
4. Raccorder la ligne 2 (L2) à la vis la plus à droite, désignée par « N ». Raccorder la ligne 1 (L1) à la vis « L ».
5. Déplacer le fil gris de la broche 5 à la broche 7.
6. Déplacer le fil jaune à la broche 5.
7. S'assurer que la rondelle est dans le haut du couvercle (la rondelle est noire) et remettre le couvercle sur le compartiment à fils du moteur.
8. Visser les quatre vis sur le compartiment en ordre croisé pour assurer une étanchéité uniforme. Serrer à la main en deux étapes. D'abord, serrer jusqu'à 7 po.lb (0,8 N.m), puis serrer jusqu'à 15 po.lb (1,7 N.m). **Remarque :** ne pas trop serrer –la vis pourrait s'endommager.





AVERTISSEMENT NE PAS faire tourner la pompe à sec. Si la pompe tourne à sec, le joint mécanique sera endommagé et la pompe commencera à fuir. Si cela se produit, le joint endommagé doit être remplacé. Maintenir TOUJOURS un niveau d'eau adéquat dans votre piscine. Si la pompe tourne continuellement de cette manière, une perte de pression peut avoir lieu, ce qui pourrait endommager le boîtier, le rotor et le joint de la pompe.



AVERTISSEMENT Le filtre fonctionne sous haute pression. Quand toute partie du système de circulation (p. ex., un anneau de serrage, une pompe, un filtre, une soupape, etc.) est entretenue, de l'air peut entrer dans le système et devenir pressurisé. L'air comprimé peut éjecter le couvercle du filtre, ce qui peut causer des blessures graves, le décès, ou des dommages matériels pouvant abîmer le boîtier ou le rotor de la pompe, ou altérer son étanchéité, et peut provoquer des dommages matériels ou des blessures. Pour éviter ce danger potentiel, suivre les instructions suivantes.

Préparation à la mise en marche

Comme le filtre fonctionne à haute pression, il est important de libérer tout air pressurisé avant d'effectuer de l'entretien ou de la réparation.

Suivre les étapes suivantes pour libérer la pression du système de filtration.

1. Arrêter la pompe, fermer les soupapes des conduits d'aspiration et de refoulement, et libérer toute la pression du système avant de continuer.
2. Ouvrir la soupape de décompression manuelle sur le haut du filtre.
3. Ouvrir la soupape du côté aspiration afin de libérer tout air captif. Allumer la pompe du filtre et s'éloigner du filtre.
4. Laisser l'air s'échapper du filtre jusqu'à ce qu'un jet d'eau continu apparaisse.
5. Fermer la soupape de décompression manuelle.

Démarrage de la pompe

En premier, s'assurer que la pompe du filtre est en marche et que le système de nettoyage automatique est raccordé avant de démarrer la pompe d'appoint. La pompe d'appoint doit recevoir un débit d'eau d'au moins 20 gal/min du système de filtration pour ne pas tourner à sec.

1. Démarrer la pompe du filtre au moins 30 minutes avant de démarrer la pompe d'appoint pour vous assurer que la pompe est amorcée adéquatement.
2. S'assurer que toutes les soupapes soient bien ouvertes avant de démarrer la pompe d'appoint. Les soupapes d'arrêt se trouvent entre la pompe du filtre et le filtre, ou entre la pompe du filtre et la piscine.
3. Ouvrir toutes les soupapes de filtration afin de permettre à suffisamment d'eau de circuler vers la pompe d'appoint pendant qu'elle est en marche.

4. S'il y a un système brise-vide pour la pompe du filtre et la pompe d'appoint, le régler pour qu'il éteigne les deux pompes.
5. S'assurer que le filtre soit propre et sans débris. Un filtre bouché réduit le débit d'eau circulant vers la pompe d'appoint, ce qui peut endommager les joints mécaniques de la pompe.

Minuterie automatique

Une minuterie automatique externe est recommandée pour la pompe d'appoint afin d'assurer un débit d'eau adéquat entre le filtre et la pompe d'appoint.

1. Régler la minuterie pour que la pompe du filtre se mette en marche 30 minutes avant la pompe d'appoint et s'éteigne 30 minutes après.
2. S'assurer que votre système de nettoyage automatique soit programmé pour ne fonctionner que pendant la durée nécessaire pour nettoyer la piscine.
Remarque : l'emploi de la pompe d'appoint pendant que la pompe du filtre est éteinte peut endommager la pompe.
3. Réinitialiser les minuteries si le courant est coupé ou interrompu. Vérifier les minuteries de vos systèmes pour vous assurer que la pompe du filtre démarre avant la pompe d'appoint.
4. Un interrupteur manuel externe est recommandé en plus de la minuterie automatique afin de pouvoir éteindre la pompe d'appoint si le système de filtration doit être mis hors tension pour une raison quelconque.

Exemple :

Minuterie :	Début	Fin
Pompe du filtre	8 h	14 h
Pompe d'appoint	8 h 30	13 h 30

ENTRETIEN

Hivernage

Vider toute l'eau de la pompe et des tuyaux si vous attendez des températures de gel ou comptez entreposer la pompe pendant une période prolongée. Dans les régions au climat doux, si des conditions de gel temporaire sont rencontrées, laissez le système de filtration en marche toute la nuit pour qu'il ne gèle pas.

Remarque : si la température de l'air descend en dessous de 32 °F (0 °C), l'eau de la pompe peut geler et l'endommager. Le bris en cas de gel n'est pas couvert par la garantie.

Prévention des dommages dus au gel

- Éteindre le courant de la pompe au niveau du disjoncteur.
- Ouvrir la soupape de vidange pour évacuer l'eau de la pompe.
- Capuchonner le tuyau d'entrée après l'évacuation pour empêcher l'eau de rentrer dans les tuyaux.
- Couvrir le moteur pour le protéger contre la pluie, la neige et la glace.
- Éviter d'utiliser du plastique ou un autre matériau étanche pour entreposer la pompe. Ces matériaux peuvent emprisonner l'humidité et causer de la corrosion dans le moteur.

Entretien du moteur

Protection du moteur contre la chaleur

- S'assurer que tous les boîtiers soient bien aérés pour éviter les surchauffes. S'assurer que le ventilateur du moteur fonctionne correctement et que la grille du ventilateur ne touche pas le ventilateur.
- Installer la pompe à un endroit qui permet une ventilation ample.
- La température ambiante de fonctionnement du moteur ne peut dépasser 122 °F / 50 °C.

Protection du moteur contre la saleté

- Protéger le moteur contre tout corps étranger, comme de la terre, des sacs en plastique, des épines de pin, des guêpes, etc.
- Éviter d'entreposer les produits chimiques de la piscine près du moteur.
- Éviter de balayer de la poussière vers le moteur quand il est en marche.
- Les moteurs endommagés par de l'eau ou de la poussière en quantité excessive ne sont pas couverts par la garantie.

Protection du moteur contre l'humidité

- Éviter de faire des éclaboussures (piscine, système d'arrosage, etc.) près de la pompe d'appoint.
- Protéger le moteur contre les conditions météorologiques extrêmes (neige, inondations, températures de gel) afin d'éviter l'accumulation d'humidité et le gel.
- Éviter de faire fonctionner la pompe si elle est inondée.
- Fixer complètement le compartiment à fils pour protéger les fils contre l'humidité.
- Ce moteur est refroidi à l'aide d'un ventilateur intégré et peut être endommagé si de l'eau y pénètre. Les moteurs endommagés par l'eau ou l'humidité ne sont pas couverts par la garantie.

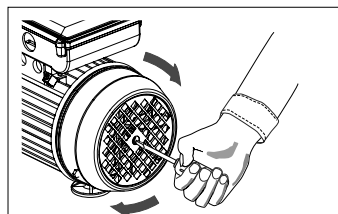
Démarrage après hivernage

1. Retirer toute protection temporaire contre les intempéries du système.
2. Débrancher toutes les sources de courant et inspecter tous les fils électriques afin de voir s'ils se sont endommagés ou détériorés.
3. Consulter le guide d'installation et le mode d'emploi de votre filtre pour savoir comment le démarrer.
4. Ouvrir toutes les soupapes des conduits d'aspiration et de refoulement de la tuyauterie.
5. Retirer tout bouchon d'hivernage de la tuyauterie.
6. Fermer toutes les soupapes de vidange et refermer tous les bouchons de vidange de la tuyauterie.
7. Vérifier qu'aucun tuyau ne contient de glace avant de rebrancher le courant et de démarrer la pompe.

Remarque : s'il y a présence de givre sur l'extérieur d'un tuyau, il se peut qu'il soit gelé. Le gel dans les tuyaux empêche le système de s'amorcer correctement et peut avoir pour effet que la pompe fonctionne à sec, ce qui peut nuire au joint d'étanchéité de l'axe.

Si la pompe ne démarre pas après avoir été éteinte :

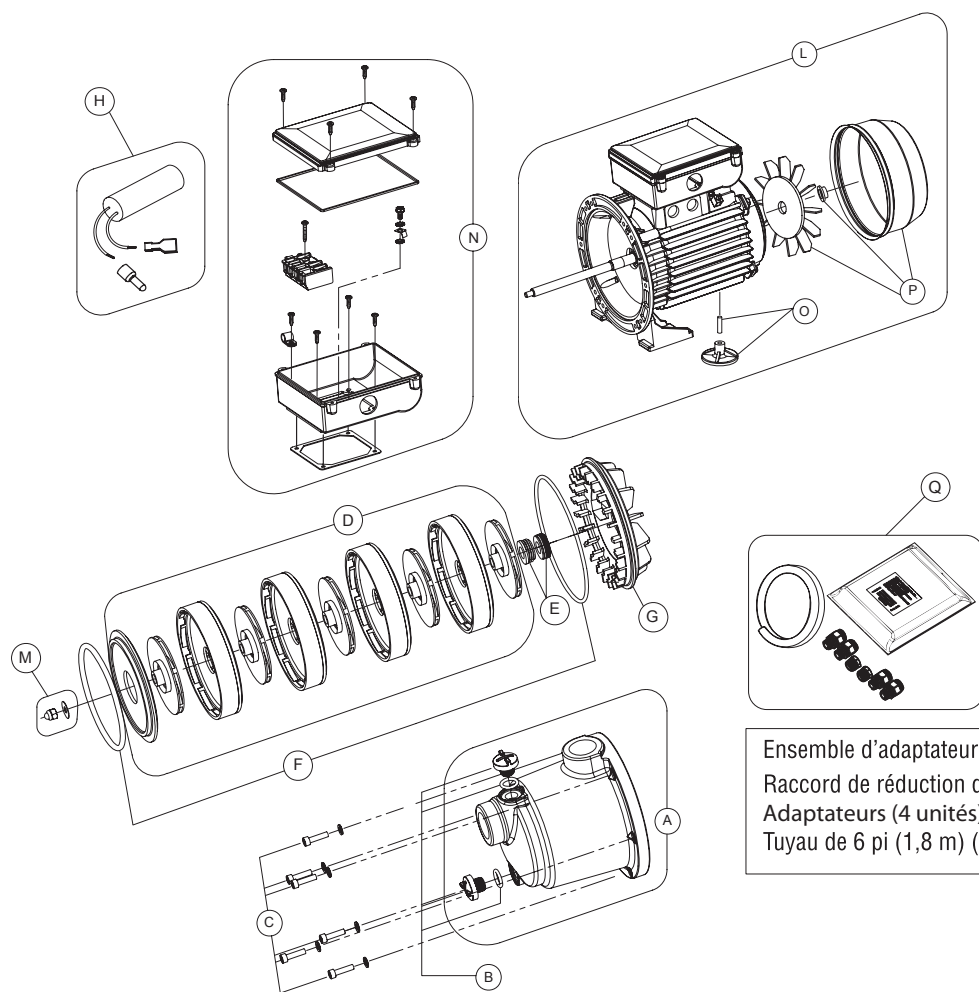
Débrancher complètement le courant avant de procéder. Insérer un tournevis plat dans le trou central de la grille du ventilateur et faites tourner l'axe du moteur afin de libérer le joint. Retirer complètement le tournevis avant de rebrancher le courant.



Use the following information to resolve possible issues with your booster pump.

PROBLÈME	CAUSE POSSIBLE	MESURE CORRECTIVE
Le moteur de la pompe ne se met pas en marche.	<p>Le courant est éteint. Les plombs ont sauté. La grille du ventilateur touche le ventilateur.</p> <p>La pompe a été éteinte par une minuterie. Les raccords électriques du moteur sont incorrects. Le rotor est bloqué par des débris.</p>	<p>Vérifier le courant et le remettre en marche. Vérifier le disjoncteur et le remettre en marche. Remettre la grille du ventilateur en place à l'aide d'un marteau et d'un tournevis. Vérifier le mode de la minuterie.</p> <p>Faire vérifier les raccords électriques par un électricien. Enlever les débris du rotor.</p>
Débit de la pompe réduit, ou système de nettoyage ralenti.	<p>La ligne d'entrée et de sortie est bloquée. Le moteur n'est pas branché correctement. Poches d'air ou fuites dans le conduit d'aspiration. Rotor encombré. Filtre bouché.</p>	<p>Vérifier la présence de débris. Ouvrir le conduit. Vérifier les branchements. Vérifier le conduit et les soupapes d'aspiration. S'assurer que le conduit d'aspiration fait au moins 2 po (51 mm) de diamètre. Enlever les débris du rotor. Consulter les pages 11 et 12 pour savoir comment enlever les débris. Éteindre la pompe et le nettoyer filtre.</p>
Surchauffe du moteur.	<p>Branchement incorrect à l'alimentation électrique. Les fils de la pompe sont d'un calibre trop faible. La tension d'alimentation du service électrique est trop faible. Aération inadéquate du moteur.</p>	<p>Vérifier la prise du moteur. Resserrer tout raccord défectueux. Utiliser des fils plus gros. Vérifier la tension de la ligne; si la mesure est de moins de 90 % ou de plus de 110 % de la tension indiquée, consulter un électricien autorisé. Retirer toute entrave à la ventilation pour réduire la température ambiante.</p>
Bruit mécanique.	<p>La pompe vibre ou fait du bruit sur la plateforme. Cavitation. La grille du ventilateur touche le ventilateur.</p>	<p>Vérifier l'emplacement de la pompe; visser la pompe sur une dalle en béton. S'assurer que les conduits d'aspiration et de refoulement possèdent des supports adéquats. Améliorer les conditions d'aspiration. Utiliser un tuyau plus gros. Augmenter la pression de refoulement. Retirer tout pli ou angle droit dans vos tuyaux flexibles. Remettre la grille du ventilateur en place à l'aide d'un marteau et d'un tournevis.</p>

PIÈCES DE RECHANGE

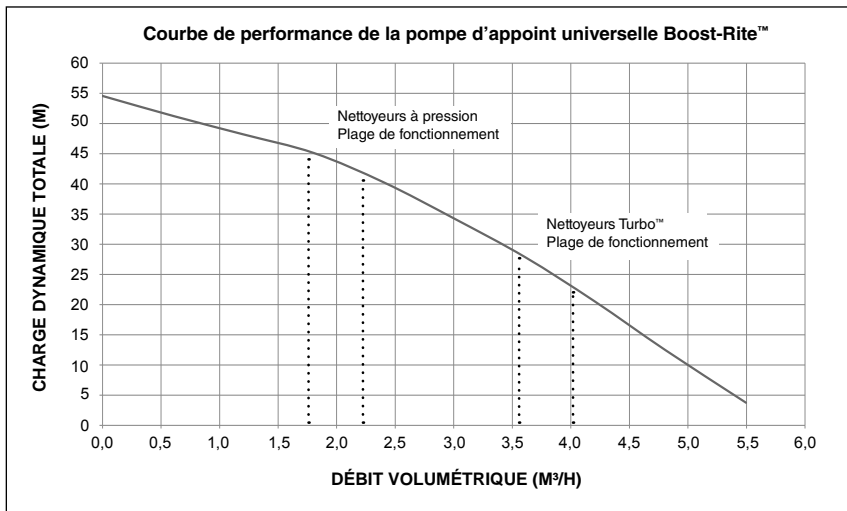
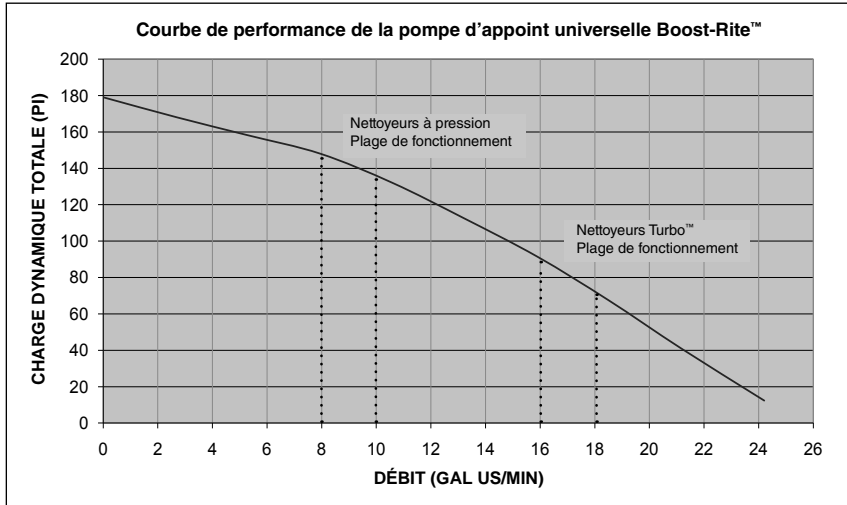


Ensemble d'adaptateur pour tuyau (compris) :
 Raccord de réduction de ¾ po à 1 po (19 mm à 25 mm) (2 unités)
 Adaptateurs (4 unités)
 Tuyau de 6 pi (1,8 m) (1 unité)

ENSEMBLE	Art. N°	DESCRIPTION	ENSEMBLE	Art. N°	DESCRIPTION
A	ZBR39320	ENSEMBLE CORPS DE POMPE AVEC BOUCHONS DE VIDANGE	H	ZBR39340	ENSEMBLE DE CONDENSATEURS
B	ZBR12160	ENSEMBLE DE BOUCHONS DE VIDANGE AVEC JOINTS TORIQUES*	L	ZBR39360	ASSEMBLAGE COMPLET DU MOTEUR
C	ZBR12170	ENSEMBLE D'ÉLÉMENTS DE FIXATION POUR CORPS DE POMPE	M	ZBR12270	ENSEMBLE D'ÉLÉMENTS DE FIXATION POUR SUPPORT D'EXTRÉMITÉ DE L'ARBRE
D	ZBR39330	ENSEMBLE HYDRAULIQUE	N	ZBR39350	BOÎTE D'ENSEMBLE COMPLET DE CONDENSATEURS
E	ZBR43920	ENSEMBLE DE JOINTS MÉCANIQUES	O	ZBR26910	ENSEMBLE DE BAS
F	ZBR12200	ENSEMBLE DE JOINTS TORIQUES	P	ZBR43810	ENSEMBLE DE VENTILATEUR
G	ZBR12210	ENSEMBLE DE COUVERCLE ÉTANCHE	Q	353040	ENSEMBLE D'ADAPTATEUR DE TUYAU

*CONTIENT (2) BOUCHONS DE VIDANGE ET (2) JOINTS TORIQUES; BOÎTIER NON COMPRIS.

Courbes de performance





1620 HAWKINS AVE., SANFORD, NC 27330 • (919) 566-8000
10951 WEST LOS ANGELES AVE., MOORPARK, CA 93021 • (805) 553-5000
WWW.PENTAIRPOOL.COM

Toutes les marques de commerce et logos Pentair sont la propriété de Pentair, Inc. Pentair Aquatic Systems^{MC} et Boost-Rite^{MC} sont des marques de commerce ou des marques déposées de Pentair Water Pool and Spa, Inc. ou de ses sociétés affiliées aux États-Unis ou dans d'autres pays. Sauf indication expressément contraire, les noms et marques de tiers qui peuvent être utilisés dans le présent document ne sont pas utilisés pour indiquer une affiliation ou une approbation entre les propriétaires de ces marques et Pentair Water Pool and Spa, Inc. Ces noms et marques peuvent être des marques de commerce ou des marques déposées de ces tiers. Parce que nous améliorons constamment nos produits, Pentair se réserve le droit de changer ses spécifications sans avis préalable. Pentair offre l'égalité d'accès à l'emploi.

© 2013 Pentair Aquatic Systems. Tous droits réservés. Ce document peut être modifié sans avis préalable.



Art. n° 353042 REV. A 22/03/13