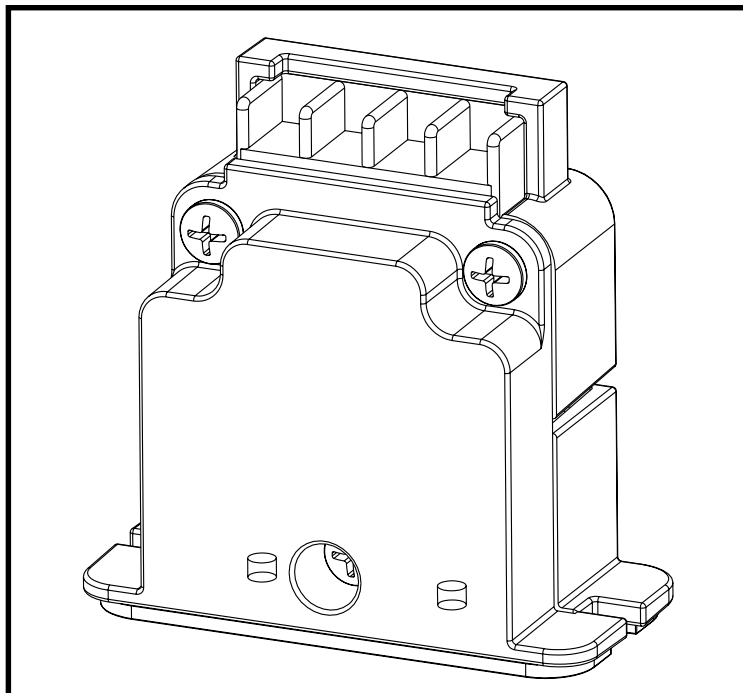


IntelliTouch™ Dimmer Module User's Guide

IMPORTANT SAFETY INSTRUCTIONS
READ AND FOLLOW ALL INSTRUCTIONS
SAVE THESE INSTRUCTIONS



⚠ WARNING

Before installing this product, read and follow all warning notices and instructions which are included. Failure to follow safety warnings and instructions can result in severe injury, death, or property damage. Call (800) 831-7133 for additional free copies of these instructions.

Important Notice



Attention Installer.

This manual contains important information about the installation, operation and safe use of this product. This information should be given to the owner/operator of this equipment.

Pentair Pool Products

1620 Hawkins Ave., Sanford, NC 27330 • (919) 774-4151
10951 West Los Angeles Ave., Moorpark, CA 93021 • (805) 523-2400
Visit www.pentairpool.com to find information about Pentair Pool Products.



© 2004 Pentair Pool Products Incorporated. All rights reserved. Information in this document is subject to change without notice.

Trademarks and Disclaimers. The trademark *IntelliTouch* is a trademark of Pentair Pool Products Incorporated. The *Pentair Pool Products logo* and *Mobi* are registered trademarks of Pentair Pool Products Incorporated. Other trademarks and trade names may be used in this document to refer to either the entities claiming the marks and names or their products. Pentair Pool Products disclaims any proprietary interest in trademarks and trade names other than its own.

⚠ WARNING

- All work must be performed by a licensed electrician, and must conform to all national, state, and local codes.
- This control (equipment assembly) is not provided with integral GFCI protection for the lighting circuit. When this control (equipment assembly) is used to power or switch an underwater luminaire, suitable GFCI protection shall be provided in the field. Conductors on the load side of the ground-fault circuit-interrupter shall not occupy conduit, junction boxes or enclosures containing other conductors unless such conductors are also protected by a ground-fault circuit-interrupter. Refer to local codes for details.
- The electrical supply for this product must include a suitably rated switch or circuit breaker to open all ungrounded supply conductors to comply with Section 422-20 of the National Electrical Code, ANSI/NFPA 70.1987. The disconnecting means must be readily accessible to the tub occupant but installed at least 10 ft. (3.05 m) from the inside wall of the pool.
- Supply conductor must be sized to support all loads. Maximum supply conductor and circuit ampacity 125 Amps at 125 VAC or 63 Amps at 240 VAC.

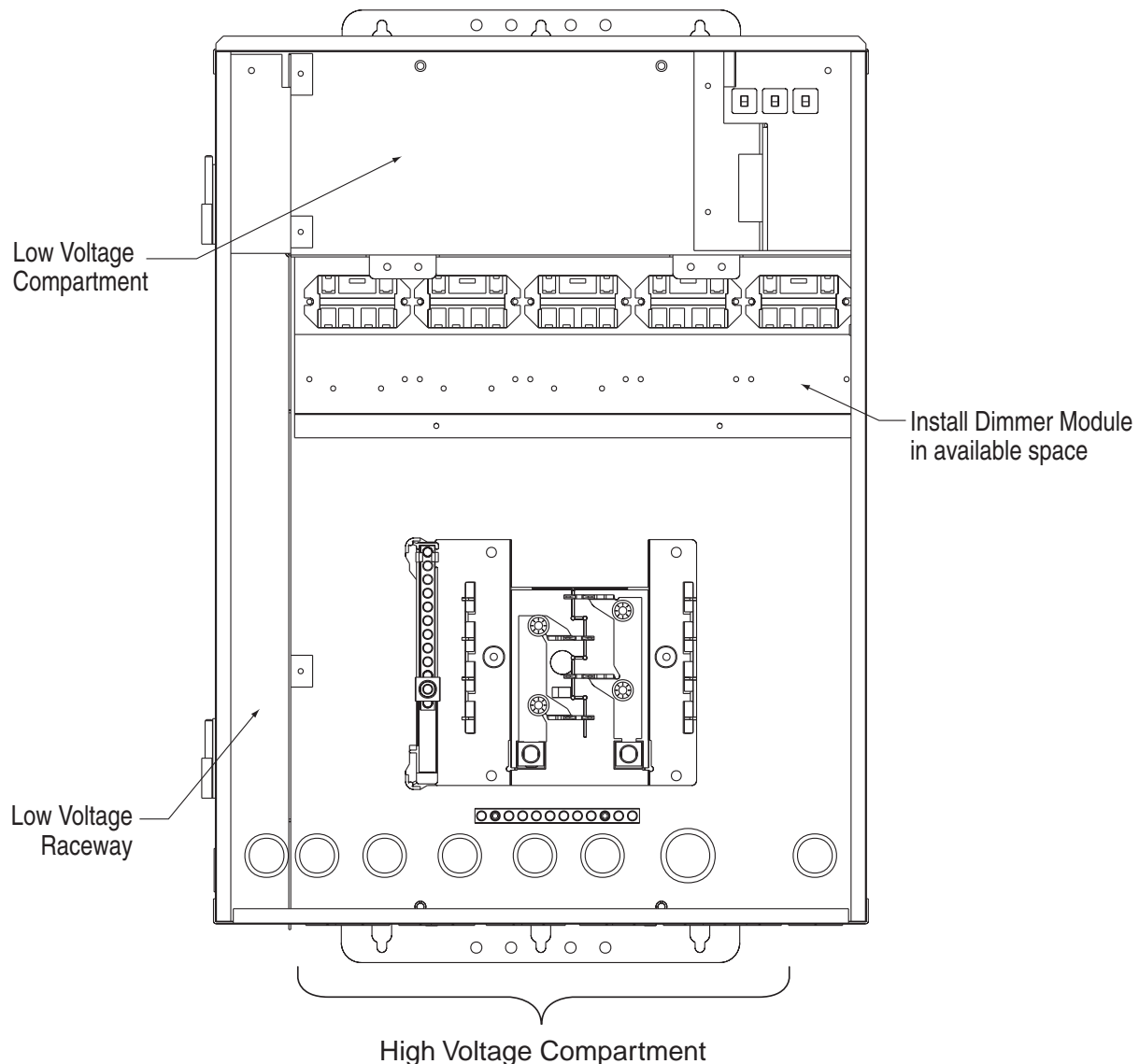


Figure 1.

INTRODUCTION

The IntelliTouch dimmer module is a UL 1563 listed accessory for use with the IntelliTouch Pool/Spa control system. The dimmer module provides user-controllable light dimming levels for underwater pool or spa lighting.

RATINGS

Dimmer Ratings

120 VAC

1000W maximum/100W minimum

Tungsten filament lights only

Wiring 12 AWG maximum—(one 12 AWG conductor per terminal)

System Ratings

4000 W maximum load (may be divided among any number of modules).

Note that a GFCI is required for all underwater lighting.

KIT INCLUDES

- 1 (qty.) — Dimmer module
- 2 (qty.) — Mounting screws

INSTALLATION INSTRUCTIONS

Mounting

Turn off power to system before installing dimmer module. Open the door. Remove the High Voltage Compartment cover panel from the Load Center (2 screws) exposing the High Voltage Compartment. See Figure 1. Place the dimmer module into an available relay position with the opening of the screw terminals pointing downward. See Figure 2. Mount the dimmer module to the Load Center. Install the 2 screws (provided with kit) through the module base flange. Tighten the screws to secure in place.

Wiring

Wire the lights first to the dimmer module before wiring to the GFCI. From the dimmer module bring the wires from the dimmer module LINE side to the terminals of the GFCI LOAD side. Wire the GFCI line terminals as usual. See Figure 2.

⚠ CAUTION

Failure to wire the dimmer module according to Figure 2 may result in damage to the dimmer module. Check wiring before applying power.

Use UL approved wiring for all applications. Use wire gauge suitable for use with the light load (12 AWG max.). Tighten terminals to maximum value specified below. Do NOT over-tighten terminals. See table below for suitable wire gauges:

Gauge	Maximum Current	Torque
14	15 A	13 in.-lbs. maximum
12	20 A	13 in.-lbs. maximum

Feed two-conductor cable harness through hole in relay barrier up to the Low Voltage Compartment. Fold down Outdoor Control Panel and plug cable harness into appropriate AUX output. Make note of AUX output on Outdoor Control Panel.

Close Outdoor Control Panel and replace High Voltage Compartment cover. Close the Load Center front door and turn system power on.

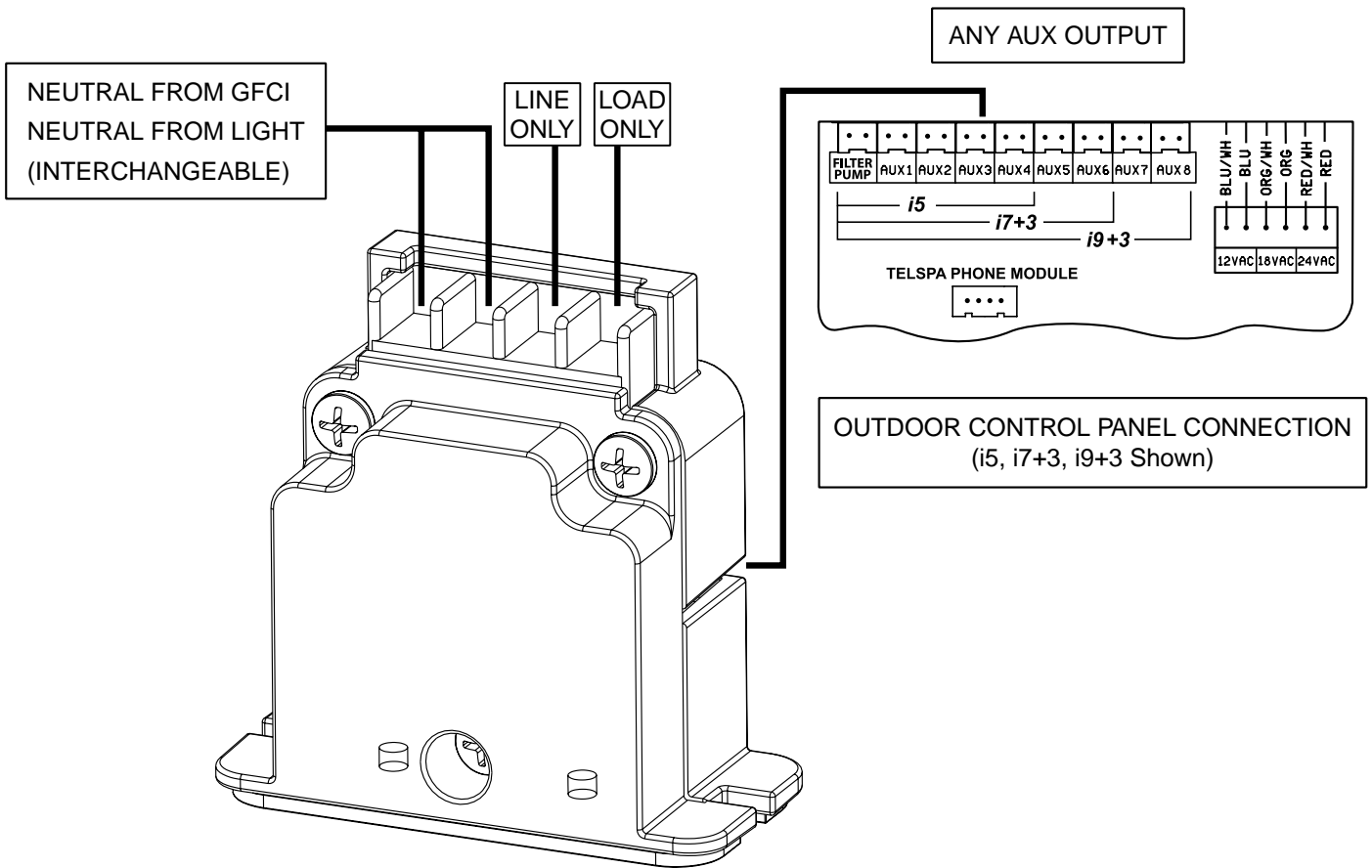
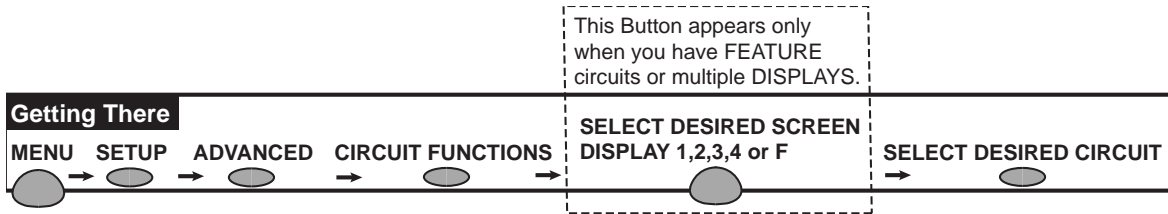


Figure 2.

V. OPERATING INSTRUCTIONS

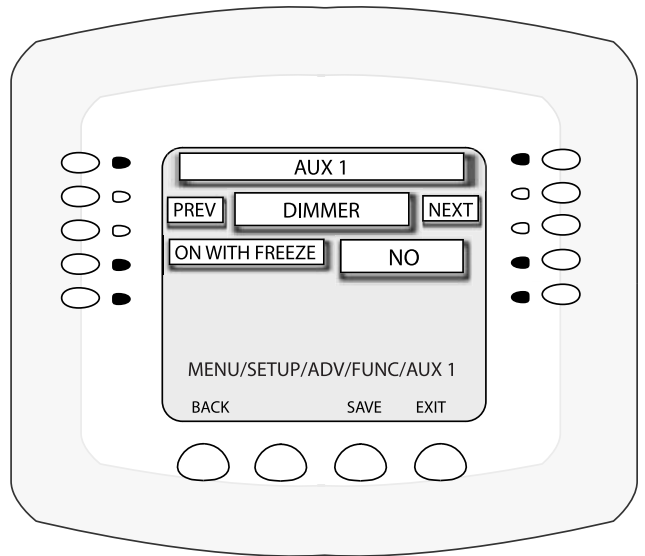
Step 1

The first step to operating the dimmer module is first to assign the circuit the dimming function. Go to the Circuit Function screen at the Indoor Control Panel or Mobi®.



Next:

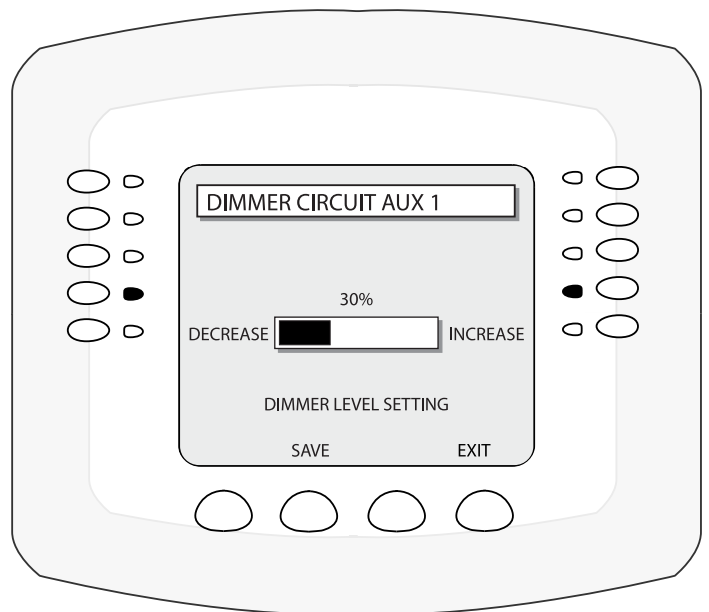
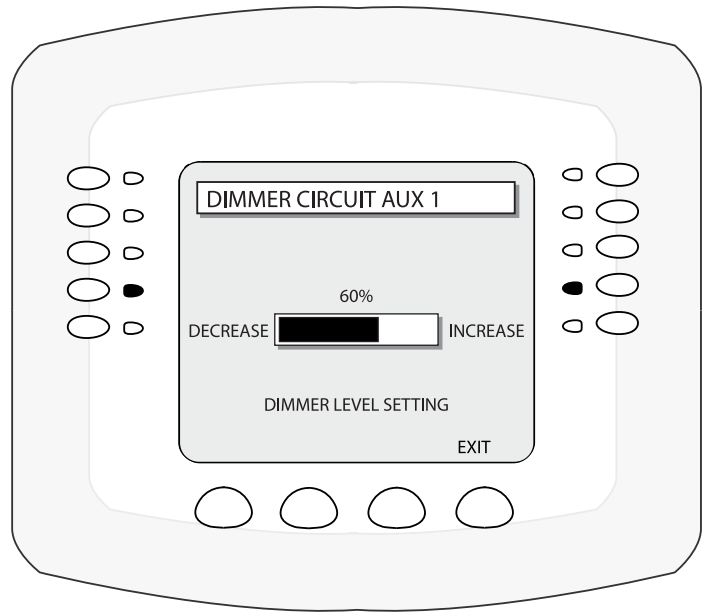
1. Select a circuit to assign the dimmer circuit function.
2. Press the **Prev** or **Next** buttons until **Dimmer** displays.
3. When you are done, press **Save**. Then press **Back**. Repeat steps 1, 2, and 3 for each light dimming circuit.
4. Press the **Exit** button to return to the main screen.



Step 2

1. Press the button briefly next to the circuit name. The LED indicator light should turn on. The pool/spa light should turn on at the specified dimming level.
2. To change the dimming level, hold the circuit button down until the Dimmer Level Setting screen displays as shown.
3. Press the button next to **Decrease** to decrease the dimming level. Press the button next to **Increase** to increase the dimming level.
4. Press **Save** when done and the light will adjust dimming to the saved level.

NOTE: Macros can be used to activate light dimming circuits, but cannot be used to dim lights. The dimming level must be individually changed for each light dimming circuit.



SAVE THESE INSTRUCTIONS

For questions, repairs, replacement parts, or information about
Authorized Service Centers call:

Pentair Pool Products ~ 800-831-7133

Pentair Pool Products

1620 Hawkins Ave., Sanford, NC 27330 • (919) 774-4151
10951 West Los Angeles Ave., Moorpark, CA 93021 • (805) 523-2400
Visit www.pentairpool.com to find information about Pentair Pool Products.

