



# INTELLITOUCH® CONTROL SYSTEM PERSONALITY KIT



## INSTALLATION AND USER'S GUIDE

IMPORTANT SAFETY INSTRUCTIONS  
READ AND FOLLOW ALL INSTRUCTIONS  
SAVE THESE INSTRUCTIONS

**Customer Support**

**Sanford, North Carolina** (8 A.M. to 4:30 PM  
ET)

**Moorpark, California** (8 A.M. to 4:30 PM PS)

**Phone:** (800) 831-7133

**Fax:** (800) 284-4151

**Web sites**

<http://www.pentairpool.com> and [staritepool.com](http://www.staritepool.com)

# Contents

<b>IMPORTANT WARNING AND SAFETY INSTRUCTIONS</b> .....	<b>iii</b>
Introduction .....	1
IntelliTouch Control System Overview .....	1
In the home .....	1
Around the pool.....	1
At the equipment pad.....	1
IntelliTouch Control System Components.....	2
Load or Power Center .....	2
IntelliTouch Control System Personality Kits.....	2
IntelliTouch Control System Personality Kit Contents .....	3
IntelliTouch Control System Interfaces.....	4
Tools required .....	5
ScreenLogic Interface Kits.....	6
ScreenLogic Interface Accessory Kits .....	6
IntelliTouch Control System Accessories.....	6
Installation Steps Summary.....	7
High Voltage Connections.....	8
Power Center (without Sub-panel) .....	8
Load Center (with built-in Sub-panel) .....	9
Installing the Outdoor Control Panel.....	10
IntelliTouch Control System Outdoor Control Panel.....	10
Connecting the System Relays.....	14
Installing Valve Actuators.....	15
Installing and Connecting Temperature Sensors .....	17
Water Temperature Sensor .....	17
Ambient Air Temperature (Freeze Protection) Sensor .....	17
Solar Temperature Sensor (Optional) .....	18
Connecting a Standard Gas Heater.....	19
Connecting an UltraTemp Heat Pump .....	20
Connecting an IntelliFlo Pump.....	20
Rewiring the System Transformer for 240 VAC .....	21
Installing the Indoor Control Panel.....	22
Drill Control Panel Wall Mounting Holes .....	22
Cabling the Indoor Control Panel at the Load Center .....	23
Cabling the Indoor Control Panel .....	24

---

## Contents (Continued)

---

MobileTouch Wireless Controller .....	26
Mounting and Connecting the MobileTouch Transceiver Module .....	26
Connecting the Transceiver to the Personality Board.....	28
Using the MobileTouch Wireless Controller .....	28
Setting up the MobileTouch Wireless Controller .....	29
Charging the MobileTouch Wireless Controller .....	31
System Start-Up .....	32
Check Electronics .....	32
System Test.....	32
Testing the auxiliary relays.....	32
Solar System Installation .....	33
Solar System Start-Up .....	33
Pool Cleaner Protection .....	33
Affixing the System Wiring Diagram Label .....	33
IntelliTouch System Wiring Diagram .....	34
Plumbing Requirements .....	36
Equipment Location .....	37
Glossary .....	40

# IMPORTANT WARNING AND SAFETY INSTRUCTIONS

## Read and Follow all WARNING and SAFETY Instructions

**⚠ DANGER** SERIOUS BODILY INJURY OR DEATH CAN RESULT IF THIS PRODUCT (UNIT) IS NOT INSTALLED AND USED CORRECTLY.

**⚠ DANGER** INSTALLERS, POOL OPERATORS AND POOL OWNERS MUST READ THESE WARNINGS AND ALL INSTRUCTIONS BEFORE USING THIS PRODUCT. This Guide provides installation and operation instructions for the product. Consult Pentair Water Pool and Spa, Inc. with any questions regarding this product.

**⚠ WARNING** This product is intended for use in swimming pool applications only.

**⚠ WARNING** Most states and local codes regulate the construction, installation, and operation of public pools and spas, and the construction of residential pools and spas. It is important to comply with these codes, many of which directly regulate the installation and use of this product. Consult your local building and health codes for more information.



**IMPORTANT NOTICE - Attention Installer:** This Installation Guide (“Guide”) contains important information about the installation, operation and safe use of this product. This Guide should be given to the owner and/or operator of this equipment.

**Attention User:** This Guide contains important information that will help you in operating and maintaining this product. Please retain it for future reference.

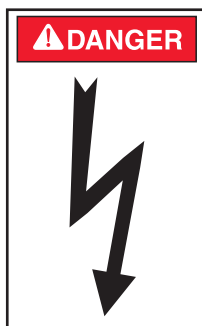
**⚠ WARNING** Before installing this product, read and follow all safety warning notices and instructions which are included. Failure to follow safety warnings and instructions can result in severe injury, death, or property damage. Call (800) 831-7133 for additional free copies of these instructions.

This product is designed and manufactured for safe and reliable service when installed, operated and maintained according to the information and installation codes referred to in this Guide.

**⚠** This is a safety alert symbol. When you see this symbol in this manual or on the product, look for one of the following signal words; **DANGER**, **WARNING**, **CAUTION** and **NOTICE** and comply with the information. Be alert to the potential hazard. Ensure to read and comply with all of the warnings and cautions in this manual.

### Risk of Electrical Shock or Electrocution!

- Always disconnect power at the circuit breaker before servicing the load center
- Improper installation can create an electrical shock hazard that can result in death or serious injury.



This product must be installed by a licensed or certified electrician or a qualified pool professional in accordance with the current National Electrical Code (NEC), NFPA 70 or the Canadian Electrical Code (CEC), CSA C22.1. All applicable local installation codes and ordinances must also be adhered to. Improper installation will create an electrical hazard which could result in death or serious injury to pool users, installers or others due to electrical shock, and may also cause damage to property. Always disconnect the power to the pool light at the circuit breaker before servicing the light. Failure to do so could result in death or serious injury to serviceman, pool users or others due to electrical shock.

## IMPORTANT WARNING AND SAFETY INSTRUCTIONS

### **⚠ DANGER**



Water temperature in excess of 100° F (37.7° C) may be hazardous to your health. Prolonged immersion in hot water may induce hyperthermia. Hyperthermia occurs when the internal temperature of the body reaches a level several degrees above normal body temperature of 98.6° F (37° C.). Effects of hyperthermia include: (1) Unawareness of impending danger. (2) Failure to perceive heat. (3) Failure to recognize the need to leave the spa. (4) Physical inability to exit the spa. (5) Fetal damage in pregnant women. (6) Unconsciousness resulting in danger of drowning. The use of alcohol, drugs, or medication can greatly increase the risk of fatal hyperthermia in hot tubs and spas.

### **⚠ WARNING**

A pool or spa pump must be installed by a qualified pool and spa service professional in accordance with the National Electrical Code and all applicable local codes and ordinances. Improper installation may create an electrical hazard which could result in death or serious injury to pool users, installers, or others due to electrical shock, and may also cause damage to property.

### **⚠ WARNING**

The use of alcohol, drugs, or medication can greatly increase the risk of fatal hyperthermia in hot tubs and spas. This product is intended to control heaters with built-in high limit circuits **ONLY**. Failure to do so may cause property damage or personal injury.

### **⚠ WARNING**

Do not use this product to control an automatic pool cover. Swimmers may become entrapped underneath the cover.

### **⚠ WARNING**

For units intended for use in other than single-family dwellings, a clearly labeled emergency switch shall be provided as part of the installation. The switch shall be readily accessible to the occupants and shall be installed at least five (5) feet (1.52 m) away, adjacent to, and within sight of, the unit.

### **⚠ WARNING**

Except for listed spa-side remote controls, install a minimum of five (5) feet (1.52 m) from the inside wall of the pool and spa.

### **⚠ WARNING**

The electrical supply for this product must include a suitably rated switch or circuit breaker to open all ungrounded supply conductors to comply with the current National Electrical Code (NEC), NFPA 70 or the Canadian Electrical Code (CEC), CSA C22.1. All applicable local installation codes and ordinances must also be adhered to. The disconnecting means must be readily accessible to the tub occupant but installed at least five 5ft. (1.52 m), (Canada 3 m (9.75 ft) from the inside wall of the pool.

### **⚠ WARNING**

**Use only copper supply conductor's rated for 60C/75C sized based on ampacity to support all loads (refer to NEC tables). Load center input supply to be protected by 150 Amp Maximum, 240 VAC Main Circuit Breaker.**

For information about the Virginia Graeme Baker Pool and Spa Safety Act, contact the Consumer Product Safety Commission at (301) 504-7908 or visit [www.cpsc.gov](http://www.cpsc.gov).

NOTE: Always turn off all power to the pool pump before installing the cover or working on any suction outlet.

### **Two Speed Pump Controls Notice (Title 20 Compliance)**

**Please read the following important Safety Instructions** - When using two-speed pumps manufactured on or after January 1, 2008, the pump's default circulation speed **MUST** be set to the **LOWEST SPEED**, with a high speed override capability being for a temporary period not to exceed one normal cycle, or two hours, whichever is less.

## IMPORTANT WARNING AND SAFETY INSTRUCTIONS

**FCC Standard** - 47 CFR Part 15, Subpart C (Section 15.247). This version is limited to chapter 1 to chapter 11 by specified firmware controlled in the U.S.A.


**Canada - Industry Canada (IC)** - The IntelliChlor® Salt Chlorine Generator device complies with RSS210 of Industry Canada. (1999). Operation is subject to the following two conditions: (1) this device may not cause interference, and (2) this device must accept any interference, including interference that may cause undesired operation of the device.

**Instruction to user** - The IntelliChlor® Salt Chlorine Generator device has been tested and found to comply with the limits for a Class B digital device, pursuant to Part 15 of the FCC Rules. These limits are designed to provide reasonable protection against harmful interference in a residential installation. The IntelliChlor® Salt Chlorine Generator device generates, uses and can radiate radio frequency energy and, if not installed and used in accordance with the instructions, may cause harmful interference to radio communications. However, there is no guarantee that interference will not occur in a particular installation. If this device does cause harmful interference to radio or television reception, which can be determined by switching the device off and on, the user is encouraged to try to correct the interference by one or more of the following measures:

- Reorient or relocate the receiving antenna.
- Increase the separation between the equipment and receiver.
- Connect the equipment into an outlet on a circuit different from that to which the receiver is connected.
- Consult the dealer or an experienced radio/TV technician for help.

**Note:** The user is cautioned that changes and modifications made to the IntelliChlor® Salt Chlorine Generator device without the approval of the manufacturer could void the user's authority to operate this equipment.

### General Installation Information

1. All work must be performed by a licensed electrician, and must conform to all national, state, and local codes.
2. Install to provide drainage of compartment for electrical components.
3. If this system is used to control underwater lighting fixtures, a ground-fault interrupter (GFCI) must be provided for these fixtures. Conductors on the load side of the ground-fault circuit-interrupter shall **not** occupy conduit, junction boxes or enclosures containing other conductors unless such conductors are also protected by a ground-fault circuit-interrupter. Refer to local codes for details.
4. A terminal bar stamped  is located inside the supply terminal box. To reduce the risk of electric shock, this terminal must be connected to the grounding means provided in the electric supply service panel with a continuous copper wire equivalent in size to the circuit conductors supplying this equipment (no smaller than 12 AWG or 3.3 mm). The bonding lug(s) provided on this unit are intended to connect a minimum of one No. 8 AWG for US installation and two No. 6 AWG for Canadian installations solid copper conductor between this unit and any metal equipment, metal enclosures or electrical equipment, metal water pipe, or conduit within 5 feet (1.5 m) of the unit.
5. The electrical supply for this product must include a suitably rated switch or circuit breaker to open all ungrounded supply conductors to comply with in accordance with the current National Electrical Code (NEC), NFPA 70 or the Canadian Electrical Code (CEC), CSA C22.1. All applicable local installation codes and ordinances must also be adhered to. The disconnecting means must be readily accessible to the tub occupant but installed at least 10 ft. (3.05 m) from the inside wall of the pool.
6. **GAS HEATER:** This automation control system is designed to supply high voltage (120 VAC / 240 VAC) to a gas heater and override the thermostat in the heater's control circuit. This automation control system is intended to control gas heaters with a high temperature limit switch(s) safety circuit.

## Customer Support

**Sanford, North Carolina** (8 A.M. to 4:30 PM ET)  
**Moorpark, California** (8 A.M. to 4:30 PM PS)  
**Phone:** (800) 831-7133  
**Fax:** (800) 284-4151

## Web sites

<http://www.pentairpool.com> and [staritepool.com](http://www.staritepool.com)

## Download the IntelliTouch® Control System User's Guide (PDF) from the Web

[http://www.pentairpool.com/owners\\_manuals/controls/IntelliTouch\\_Pool\\_Spa\\_Cntrls\\_Instll\\_Guide.pdf](http://www.pentairpool.com/owners_manuals/controls/IntelliTouch_Pool_Spa_Cntrls_Instll_Guide.pdf)

## Related IntelliTouch® Control System Manuals

EasyTouch® and IntelliTouch® Control Systems	
Load Center Installation Guide	(P/N 521139)
EasyTouch® Control System User's Guide	(P/N 521044)
IntelliTouch® control System User's Guide	(P/N 521075)
IntelliTouch® Control System Expansion Center Kit User's Guide	(P/N 520471)
IntelliTouch® Control System i-Link™ Protocol Interface Adapter User's Guide	(P/N 520450)
ScreenLogic® Interface User's Guide	(P/N 520493)
ScreenLogic® Interface Video & Lighting Protocol Adapter User's Guide	(P/N 520936)

## In this Installation Guide

Use the information in this manual for installing the IntelliTouch® Control System Personality Kit contents.

- For Load Center and Power Center installation instructions, refer to EasyTouch® and IntelliTouch® Control System Load Center Installation Guide (P/N 521139).
- For Accessory installation and operation instructions, refer to the User's Guide provided with the accessory.

**Note:** For IntelliTouch® Control System Indoor and MobileTouch® Wireless Controller, refer to the IntelliTouch Control System User's Guide (P/N 521075).



## Introduction

Welcome! Your IntelliTouch® Control System will change the way you view pool and spa controls. This innovation in pool and spa automation offers complete freedom for you while having full automation control over your pool, spa, lights, heater, pump, cleaners and much more. You can now schedule multiple start and stop times to control your lights, heater, spa jets, and filter pumps. Using the IntelliTouch® Control System Indoor Control Panel or MobileTouch® Wireless Controller you can control your pool, spa, and lights from anywhere inside or outside of your home. Optional controllers are also available such as the wireless Digital Tablet, iPhone®, iPad® or iPod touch® mobile digital device (purchased separately), and in-wall Touch Screen that can interface with your PC. IntelliTouch® Control System is a scalable system that can be upgraded to a completely integrated home automation solution including audio, security, climate, irrigation and more. For more information about using these interfaces, refer to the ScreenLogic2® Interface Kits on page 6.

## IntelliTouch® Control System Overview

An IntelliTouch® Control System can include five (5) to 40 high voltage relays circuits that can be used to control any combination of pumps, lights, water features. A maximum of ten (10) relays can be housed in an IntelliTouch® Control System Load Center or Power Center. Up to three (3) Load Centers or Power Centers can be connected to a main Load Center for a maximum of 40 relays. User-configurable circuits can be used to control equipment. The “Feature Macro” circuits feature allows any number of circuits to be combined and controlled by a single button.

An optional IntelliTouch® Control System Dimmer Module (P/N 520406) can be installed for use to dim any high voltage incandescent light such as Pentair Amerlite® and Pentair SpaBrite® Pool and Spa Lights. The dimmer module supports multiple lights from 100 watts up to 1,000 watts and installs in a standard relay location. Any number of dimmers (up to 10 maximum) may be used with a maximum combined load of 4,000 watt in a single Load Center.

## In the home

The IntelliTouch® Control System system can utilize multiple wired and wireless controllers including the Digital Tablet, iPhone®, iPad® or iPod touch® mobile digital device (purchased separately), the wired in-wall Touch Screen, Indoor Control Panel, and the wireless MobileTouch® Wireless Controller. Your existing home PC can also be used to control the IntelliTouch Control System via the ScreenLogic2 Interfaces. A maximum of four (4) ScreenLogic2 Interfaces can be used, for example, four Tablets or four in-wall Touch Screen's, or four PC's in any combination.

## Around the pool

Located near your spa, the IntelliTouch® Control System, SpaCommand® Controller or iS4 Spa-Side Remote provide control buttons for various pool and spa functions. The SpaCommand® Controller also provides a temperature display.

## At the equipment pad

The pool pump, filter, and various IntelliTouch remote controllers and interfaces are connected to the IntelliTouch® Control System Load Center and/or Power Center enclosure which are located at the equipment pad. The Load Center enclosure is where the high voltage lines from the circuit breaker panel junction box at the home are connected to. The pool service person can periodically check pool operations from the Load Center.

Also at the equipment pad there are system pool and spa pipes connected to the pump, heater and filtration system. Mounted on top the valves are motorized valve actuators (with attached 25 ft cable for wiring) used to automatically change the direction flow of water through the plumbing system. There are also temperature sensors and a cable that connects to the heater.

## IntelliTouch® Control System Components

The main required components of an IntelliTouch® Control System is a Load Center or Power Center, IntelliTouch Control System Personality Kit, and Interface:

### IntelliTouch® Control System Components

The main required components of an IntelliTouch Control System is a Load Center or Power Center, IntelliTouch Control System Personality Kit, and Interface:

#### Load or Power Center

- **Load Center:** Provides a larger footprint (26" H x 17" W x 5-1/4" D) Includes built-in sub panel (150 AMPS) capable of holding up to eight 1" breakers. Also includes five 25 AMP three HP relays, 110/240 V transformer with secondary side circuit protection. Multiple knockouts for different sizes of conduit are supplied as well as a GFCI side knockout. The Load Center provides ample space for all high and low voltage wiring needs.
- **Power Center:** Offers a smaller footprint (20" H x 17" W x 5-1/4" D) than the Load Center. The Power Center does not include a circuit breaker base. Users should choose this enclosure if they already have existing circuit breakers/sub-panel for their equipment.

#### IntelliTouch® Control System Personality Kits

There are several types of IntelliTouch Control Systems available for different pool/spa configurations:

- **Shared Equipment: Pool and spa combinations with shared filtration system** – Pool owners can enjoy the convenience of motorized valves for water flow separation between pool and spa. The Personality Kit models are:
  - **i5+3 (P/N 521219)** – Four auxiliary circuits plus filter pump operation (create a Feature circuit for valve actuators without using an existing output auxiliary circuit, and special light functions for color lighting). Five relays are included in the Load Center.
  - **i7+3 (P/N 521220)** – Six auxiliary circuits plus filter pump operation and the +3 option (create a Feature circuit for valve actuators without using an existing output auxiliary circuit, and special light functions for color lighting). Two relays are included in the kit and five in the Load Center.
  - **i9+3 (P/N 521221)** – Eight auxiliary circuits plus filter pump operation and the +3 option (create a Feature circuit for valve actuators without using an existing output auxiliary circuit, and special light functions for color lighting). Four relays are included in the kit and five in the Load Center.
- **Dual Equipment: Pool and Spa with Dual Sets of Equipment** – The IntelliTouch Control System i10+3D (P/N 521222) is designed to operate two sets of pool equipment. Each set of a equipment (Pool or Spa) can control one temperature setting. This IntelliTouch Control System Personality Kit can control up to 10 pumps and/or lighting circuits, plus two heater circuits. The Personality Kit includes, eight auxiliary circuits plus a filter pump. The +3 option (create a Feature Macro circuit for valve actuators without using an existing output auxiliary circuit). Five relays are included in the kit and five in the Load Center. You can create a Feature circuit for valve actuators without using an existing output auxiliary circuit, and special light functions for color lighting.

- **Single Equipment: Pool Only or Spa Only Applications** – The IntelliTouch® Control System i5S+3 (P/N 521219) and i9+3S provide advanced automation for a single body of water. The i5+3S (P/N 521223) and i9+3S (P/N 521224) Personality Kits includes four auxiliary circuits plus filter pump operation. Five relays are included in the Load Center. The i9+3S Personality Kits includes eight auxiliary circuits plus filter pump operation and the +3 option (create a Feature Macro circuit for valve actuators without using an existing output aux circuit). Four relays are included in the kit and five in the Load Center. You can create a Feature circuit for valve actuators without using an existing output auxiliary circuit, and special light functions for color lighting. This model also allows HI-TEMP and LO-TEMP settings.

### IntelliTouch® Control System Accessory Power Center Expansion Kits

- **Expansion Kits:** Models i5X (P/N 521225) and i10X (P/N 521226), offer five or ten additional Auxiliary Circuits for systems i9+3, i9+3S and i10+3D. Each IntelliTouch® Control System Expansion Kit requires a Load Center (P/N 521213) or Power Center (P/N 521214). Up to three Expansion Kits and Load or Power Centers may be added to a system, for control of up to 38 Auxiliary Circuits (40 auxiliary circuits for i10+3D).

## IntelliTouch® Control System Personality Kit Contents

The following items are included in the IntelliTouch Control System Personality Kit.

- An IntelliTouch Control System interface
- Outdoor Control Panel. Includes a main controller circuit board and a Personality circuit board.
- Power Relays - (Models i5+3, i5S+3 no relays, i7+3 Qty. 2, i9+3, i9+3S Qty 4, i10+3D Qty 5, i5x (no relays, i10x (5 relays)
- Valve Actuators - Qty 2 (Models i5+3, i7+3, i9+3)
- Temperature Sensors - Water Sensor (with long cable, including o-ring and hose clamp), Air Sensors (with short cable). For i10+3D only, two Water Sensor (with long cable)
- Wiring Diagram Label for models i5S+3 and i9+3S and i10+3D. For models i5+3, i7+3, i9+3, refer to the Load Center and Power Center inside front door.
- Load Center or Power Center parts bag: Includes relay screws (see page 2).
- Label Sheet - A set of adhesive labels for custom identification (used to label the outdoor control panel buttons). Use a pair of fine-tip tweezers to remove the labels from the sheet.
- IntelliTouch Control System Personality Kit Installation Guide (P/N 521074).

**Note:** For information about the IntelliTouch® Control System Indoor Control Panel and MobileTouch® Wireless Controller, refer to the IntelliTouch® Control System User's Guide (P/N 521075).

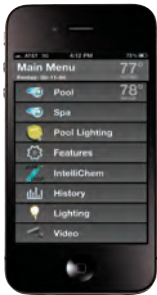
### Optional Equipment (IntelliChem® Water Chemistry Controller)

- IntelliChem® Water Chemistry Controller no-pump (P/N 521357), one-pump (P/N 521356), two-pump (P/N 521355)
- IntelliChem® Water Chemistry Controller Installation and User's Guide (P/N 521363)

## IntelliTouch® Control System Interfaces

Choose one or more of the following interface options to control pool and spa operations.

- **iPhone®, iPad Touch® Mobile Digital Device (P/N 520500)** – Includes Protocol Interface Adapter that connects to existing Desktop or Laptop PC. This allows control of IntelliTouch® and EasyTouch® Control Systems via PC (requires PC with an Ethernet™ connection, and Windows XP® operating system or later).
- **iTC35 Kit (P/N 520502)** – Includes in-wall color touch screen with Ethernet™ (RJ45) connection and Protocol Interface Adapter. The in-wall Touch screen is custom configured for IntelliTouch® and EasyTouch® Control Systems.
- **iTC45 Kit (P/N 520503)** – Includes wireless Tablet with color touch screen and Protocol Interface Adapter. The Tablet is custom configured for IntelliTouch® and EasyTouch® Control Systems.



iPhone® Mobile Digital Device  
for use with ScreenLogic2®



In-Wall Touch Screen



Digital Tablet



Indoor Control Panel

- **Indoor Control Panel (P/N 520138)** – 3.75” monochrome backlit LCD control panel. Connects to the IntelliTouch Control System Personality board in the Load Center.
- **MobileTouch® Wireless Controller Kit (P/N 520906)** – 3.75” monochrome backlit LCD wireless control panel with Transceiver antenna. Allows any IntelliTouch Control System wired system to also have a wireless remote with all the capabilities of the Indoor Control Panel. With an average range of 300 feet, pool owners have system control anywhere around the home or yard. Powered by a rechargeable lithium-ion battery. Includes a cradle for recharging. The MobileTouch® Wireless Controller without the Transceiver antenna (P/N 520907) is also available.
- **QuickTouch® II Wireless Remote (P/N 521245) and QT4 Wireless Remote (P/N 520148):** Four-function wireless remote for pool and spa functions of your choice. This controller transmitter operates up to 150 feet range from the Load Center or Power Center.
- **SpaCommand® Controller (P/N 521176):** 10-function (SpaCommand® Controller) and 4-function iS4 Spa-Side Remote controller for pool and spa functions of your choice. The controllers can operate up to 150 feet range from the Load Center or Power Center.



MobileTouch® Wireless Controller

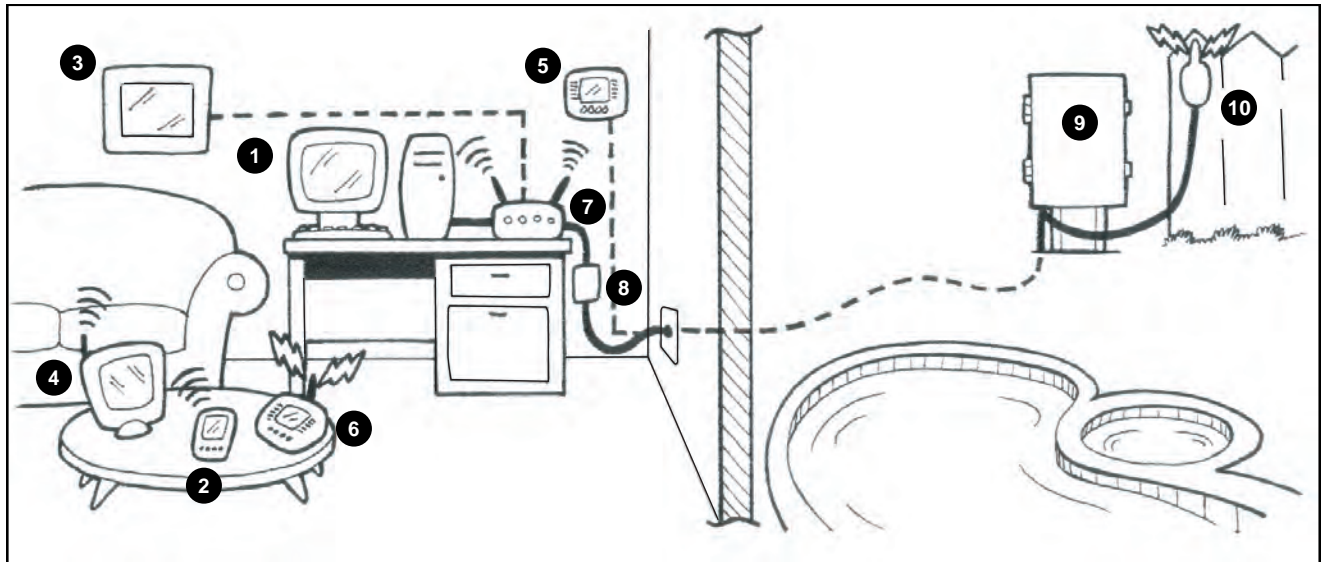


SpaCommand® Controller



QuickTouch® II Wireless Remote





## IntelliTouch® Control System in Your home

- 1 **Personal Computer (PC):** Existing home owner's PC or Laptop. Connects to a wireless router and the ScreenLogic2® Interface Protocol adapter for control of IntelliTouch® Control System. Requires a PC/Laptop (Window® 7, Windows Vista® or Windows XP® with Ethernet™ with RJ45 adapter installed).
- 2 **i-Pad®, iPad Touch® or iPhone® Mobile Digital Device:** Enables you to control your pool and spa features using the ScreenLogic2 Interface.
- 3 **In-Wall Touch Screen:** A color display with Ethernet™ (RJ45) connector. Connects to the provided wireless router and Protocol adapter via Ethernet™ (RJ45) for control of IntelliTouch® Control System.
- 4 **Wireless Tablet:** This control panel consists of a color touch screen. Receives and transmits commands via wireless router and Protocol adapter for control of IntelliTouch Control System.
- 5 **Indoor Control Panel:** This control panel for IntelliTouch® Control System, consists of a backlit LCD and connects into the Load Center for control of IntelliTouch® Control System.
- 6 **MobileTouch® Wireless Remote:** This wireless control panel has a backlit LCD. Receives and transmits commands via the Transceiver antenna located at the Load Center.
- 7 **Wireless router:** Connects to the PC or Laptop via Ethernet connection to the Protocol adapter.
- 8 **Protocol adapter:** Connects to wireless router via Ethernet connection and to Personality board (Load/Power Center) via a four-wire 22-AWG cable.
- 9 **IntelliTouch Load Center or Power Center.** The main control center. Includes the Outdoor Control Panel that controls pump, heater, and light relays. Receives commands via Protocol adapter, and wireless and wired control panels connected to the Personality board.
- 10 **MobileTouch® Wireless Controller Transceiver antenna:** This antenna sends and receives commands to and from the MobileTouch® Wireless Controller.

## Tools required

- 3/16 in. diameter drill (for mounting Indoor Control Panel).
- 3/8 in. diameter drill (for mounting Water Temperature Sensor).

## ScreenLogic2® Interface Kits

The following items are included in the ScreenLogic2® Interface Kit.

### iPhone® and iPad® Touch Mobile Digital Device Kit (P/N 520500)

- Protocol adapter for use with existing Desktop or Laptop PC, iPhone, iPod Touch, or iPad Mobile Digital Device
- ScreenLogic2® Interface User's Guide
- CD-ROM containing ScreenLogic2® Interface PC user interface software

### In-Wall Touch Screen (iTC35 Kit - P/N 520502)

- In-wall Touch Screen, Cradle, and AC adapter.
- Protocol adapter.
- ScreenLogic2® Interface User's Guide.
- CD-ROM containing ScreenLogic2 Interface PC user interface software.

### Digital Wireless Tablet (iTC45 Kit - P/N 520503)

- Digital Tablet (with internal battery pack), stylus, built-in Wi-Fi 802.11b wireless LAN adapter with antenna.
- Protocol adapter.
- ScreenLogic2® Interface User's Guide.
- CD-ROM containing ScreenLogic2 PC user interface software.

## ScreenLogic2® Interface Accessory Kits

If you need additional interfaces, first order one of the ScreenLogic2® Interface kits listed above, then order one or more of the following accessory interfaces accessory kits:

- In-Wall Touch Screen, CD-ROM and manual (P/N 520498)
- Tablet, CD-ROM and manual (P/N 520499)

*Note: The above Accessory Kits interfaces utilize the existing protocol adapter supplied in the 520500 -*

## IntelliTouch Accessories

521225	i5X Expansion Kit five Auxiliaries.
521226	i10X Expansion Kit ten Auxiliaries.
520906	MobileTouch Wireless Controller Panel and Transceiver.
520355	Colored Faceplate Kit for surface-mount. Tan, Grey, or Black with label set.
520354	Colored Faceplate Kit for recessed-mount. Tan, Grey, or Black with label set.
520335	Mud box recessing SpaCommand Controller into deck or tile.
520138	Indoor Control Panel, White.
520198	Two-Speed Three HP Relay up to three additional valve actuators.
520285	Valve module for controlling three additional actuators.
520106	Three HP Power Relay.
687000	Two Telephone remote control for any single circuit, usually Spa mode.
520148	QuickTouch II Four-Function Wireless Remote Kit, Transmitter and Receiver.
520406	Dimmer Module. Supports up to 4,000 Watts maximum load (four dimmers handling 1,000 Watts each).
520442	i-Link Home Automation Adapter Interface for IntelliTouch Control System.
520403	Dual Heater Kit. Utilize a gas heater and heat pump.

## Installation Steps Summary

**Note:** The following installation instructions assume that the Load Center or Power Center is installed at the equipment pad. For Load Center and Power Center installation instructions, refer to the Load Center and Power Center Installation Guide (P/N 521139).

The recommended installation steps for the Personality Kit parts are as follows:

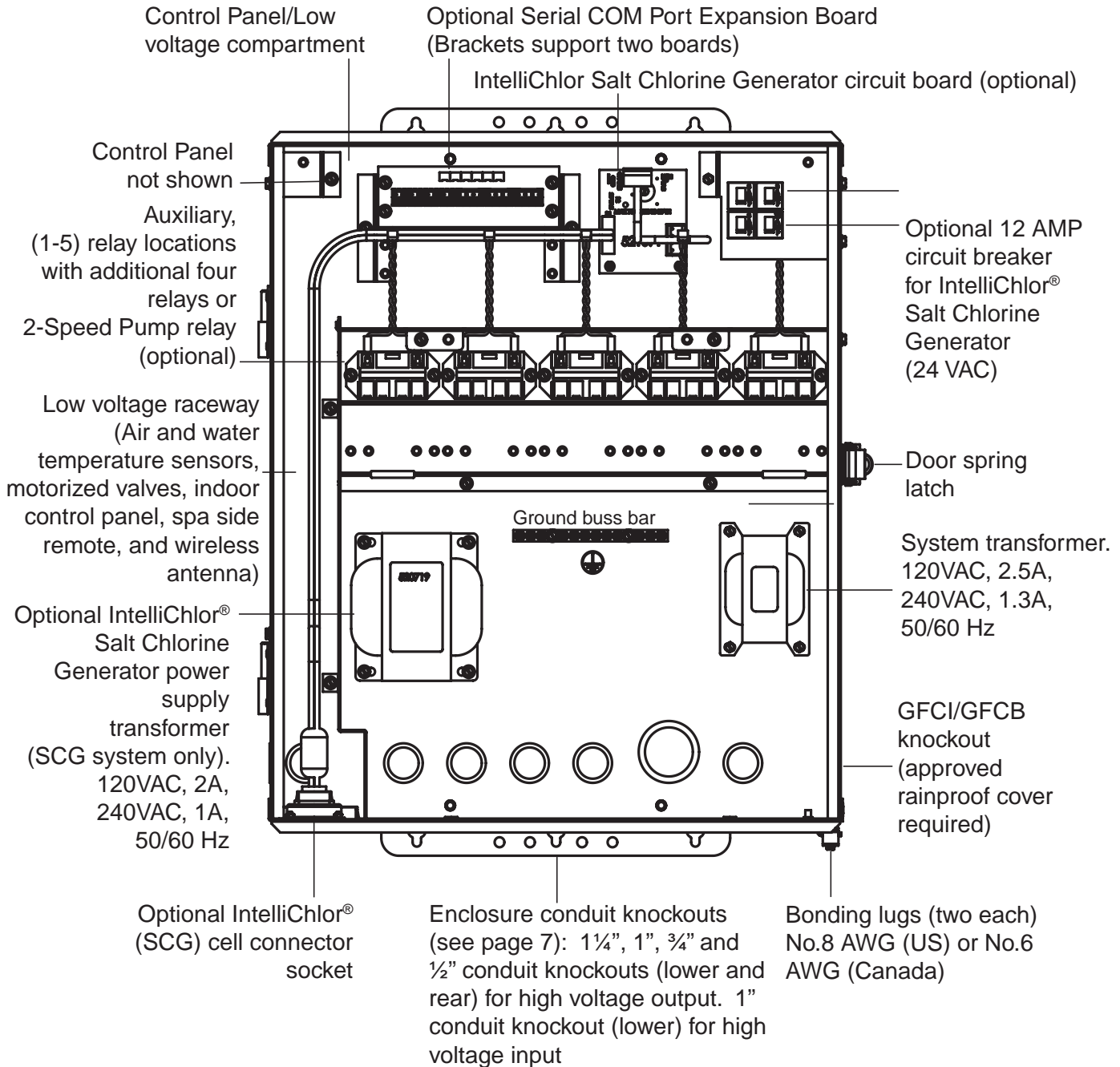
- 1. Install the Outdoor Control Panel (page 10):** Install the IntelliTouch® Control System Personality board in the Load Center or Power Center. Also, review the high voltage connection locations in the Power/Load Center.
- 2. Connect IntelliTouch® Control System Relays (page 14):** Connect the relay plugs to the IntelliTouch® Control System Personality circuit board. IntelliTouch has five pre-installed relays in the Power/Load Center.
- 3. Install auxiliary relays (page 14):** Install and connect the relay(s). The number of relays included in the Personality Kit depend on the Outdoor Control Panel model (i5+3, i5S (none), i7+3 (Qty. 2), i9+3, i9+3S (Qty. 4), i10+3D (Qty. 5).
- 4. Install Valve Actuators (page 15):** Install the valve actuators on the valve assembly and connect to the Personality board.
- 5. Install Temperature Sensors (page 17):** Install the water and air sensors and connect the cable plugs to the Personality board.
- 6. Connect Heater Thermostat cable (page 19):** Connect the heater thermostat cable plug to the IntelliTouch Personality circuit board.
- 7. Connect Heat Pump Cable (UltraTemp® Heat Pump) (page 20):** Connect the heat pump cable to the IntelliTouch COM port.
- 8. Connect IntelliFlo® Pump Communication Cable (page 23):** Connect the IntelliFlo® Pump communication cable to the IntelliTouch® Control System COM port.
- 9. Rewiring the System Transformer for 240 VAC (page 21):** Reconfigure the system transformer for 240 VAC.
- 10. Install the IntelliTouch® Control System Indoor Control Panel (page 22):** Wall-mount the Indoor Control Panel and connect to the Personality circuit board.
- 11. Install the MobileTouch® Wireless Control Panel (page 28):** Mount the transceiver and connect to the Personality board.
- 12. Affixing the System Wiring Diagram Label (page 34-35):** Affix the wiring diagram on the

## High Voltage Connections

**WARNING** - It is required that the main power into the home be switched OFF at the main circuit breaker box whenever the high voltage cover-panel is removed. The main power must also be switched OFF to access the Power/Load Center enclosure low voltage raceway.

### Power Center (without built-in Subpanel) - IntelliTouch® Control System Only

The IntelliTouch® Control System Power Center (without sub-panel) must be installed at the equipment pad. AC power to the Power Center is provided from the an electrical circuit breaker panel (sub-panel) installed at the equipment pad. The Power Center should be installed next to the

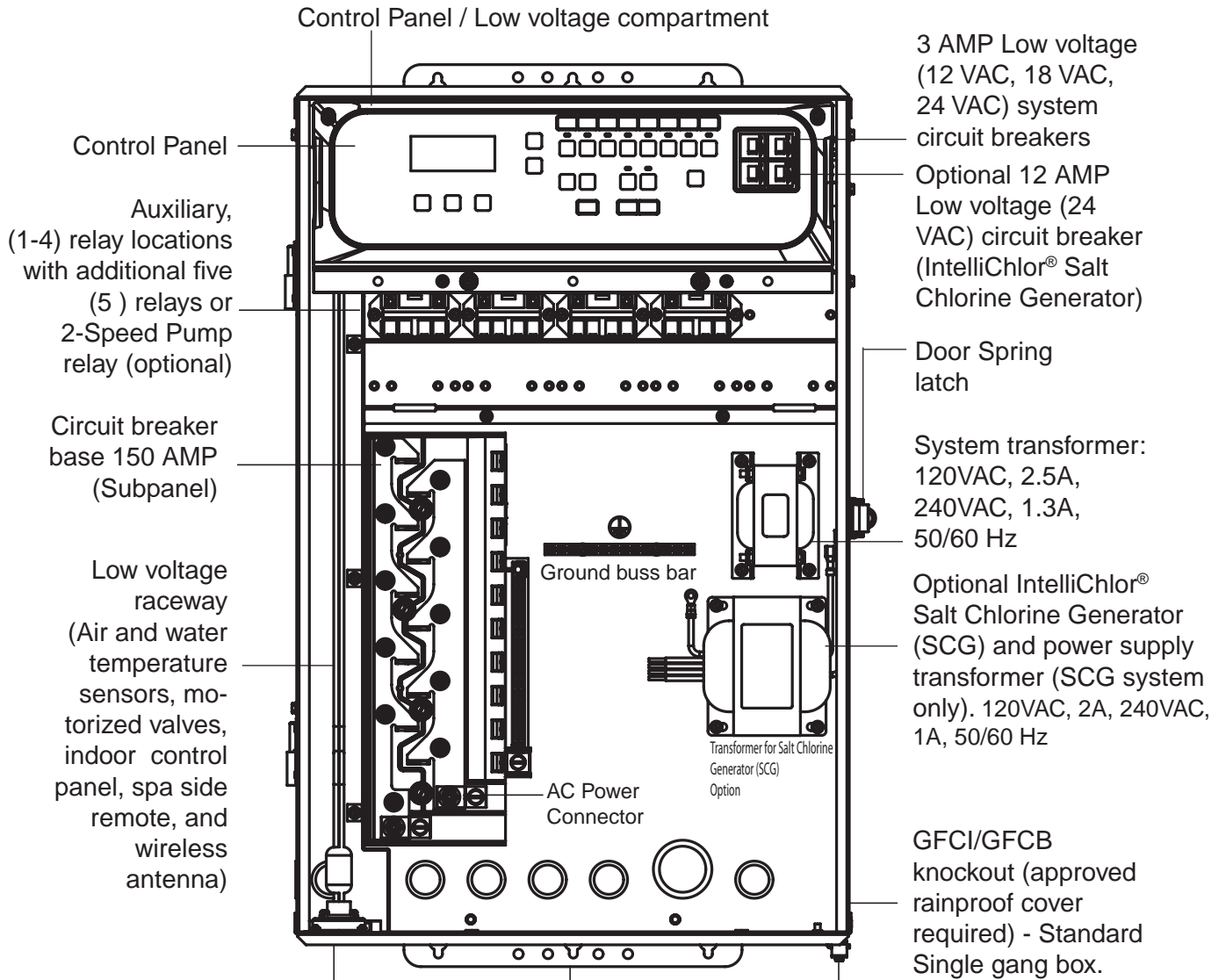


IntelliTouch® Control System Power Center (20" H x 17" W x 5¼" D)  
(Front view with door and high voltage cover panel removed)



## Load Center (with built-in Subpanel) - IntelliTouch® Control System

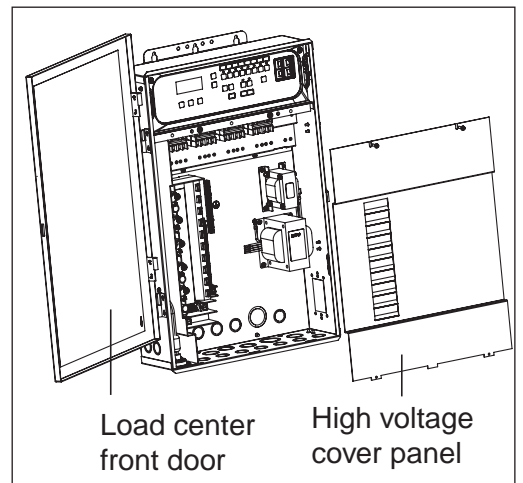
The Load Center must be installed at the equipment pad. The AC power for the Load Center is provided from the main-panel circuit breaker located at the house.



Optional IntelliChlor® Salt Chlorine Generator

Enclosure conduit knockouts (see page 7): 1¼", 1", ¾" and ½" conduit knockouts (lower and rear) for high voltage output. 1" conduit knockout (lower) for high voltage input

Bonding lugs (two each) No.8 AWG (US) or No.6 AWG (Canada)



Load center front door

High voltage cover panel

IntelliTouch® Control System Load Center (26" H x 17" W x 5¼" D)

## Installing the Outdoor Control Panel

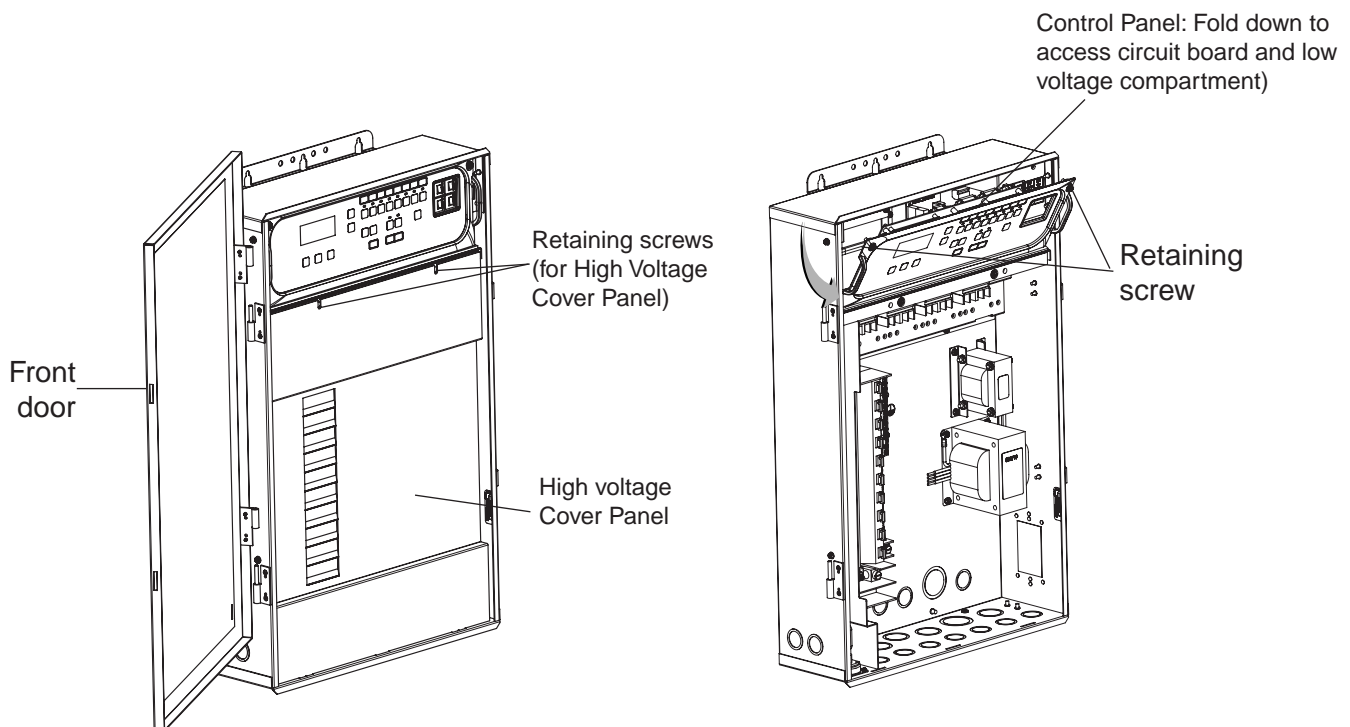


**WARNING** BEFORE INSTALLING THE LOAD CENTER AND POWER CENTER, ALWAYS SWITCH OFF THE MAIN POWER into the home at the main circuit breaker box.

The IntelliTouch® Control System Outdoor Control Panel includes a main circuit board and the Personality circuit board. The Personality board is mounted on top of the main circuit board which mounts on the back of the Outdoor Control Panel. The control panel installs in the top part of the Power/Load Center enclosure. The Power/Load Center receives control inputs from the Personality board and distributes high voltage power to Pentair Valve Actuators (PVA), control pumps, lights, and heater operations. The IntelliTouch Control System remote Indoor Control Panel also controls these and other functions, such as pool and spa lights.

To install the Outdoor Control Panel:

1. Unlatch the front door spring latch and open the front door of the Load Center.
2. Remove the two (2) retaining screws securing the high voltage cover-panel. Remove the HIGH VOLTAGE COVER PANEL from the enclosure.
3. Remove the Outdoor Control Panel from the Personality Kit and its packaging.
4. Mount the Outdoor Control Panel in the top part of the Load Center. Secure the lower edge of the control panel with the two retaining screws. Once secured, the Control Panel can hinge out and down to access the Personality board for low voltage connections.
5. When finished with the low voltage connections on the Personality board, close the hinged control panel and secure it with the two access screws.
6. Install the cover-panel and secure it with the two screws.
7. Close the front door of the Load Center. Fasten the two spring latch.

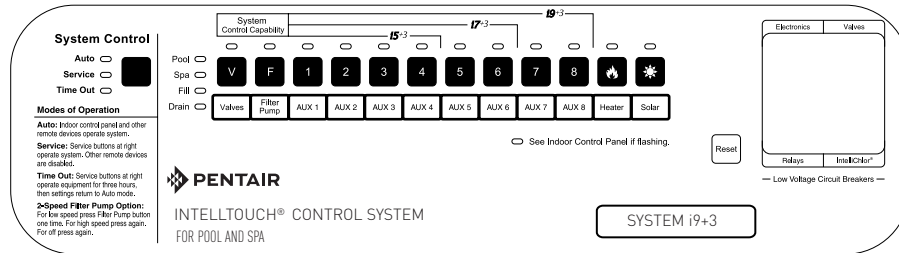


Load Center (front view)  
(front door and high voltage compartment panel removed)

# IntelliTouch® Control System Outdoor Control Panels

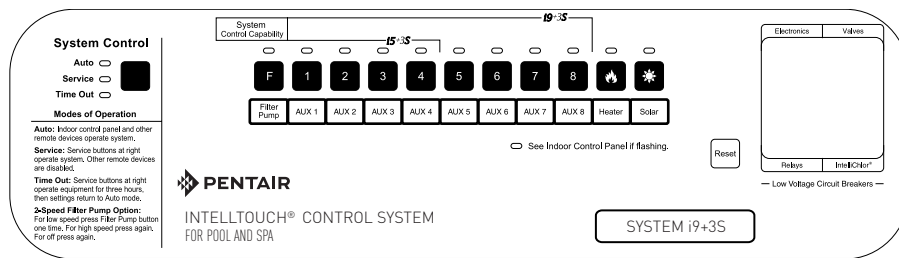
For IntelliTouch® Control System system wiring diagrams, see pages 41-43.

## Shared Equipment Systems Model i5+3, i7+3, i9+3



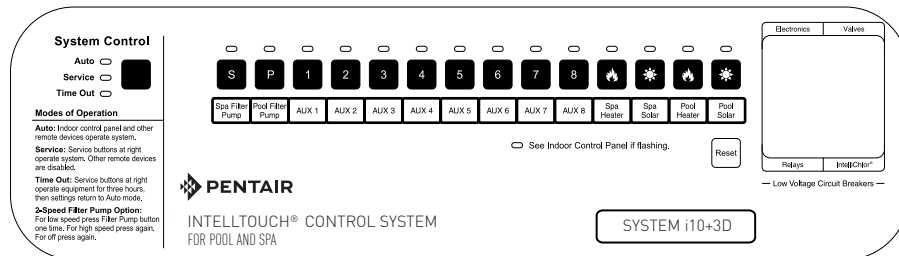
## Single Body Systems Model i5+3S, i9+3S

Operates the same as i5+3, i9+3, except no valve controls.



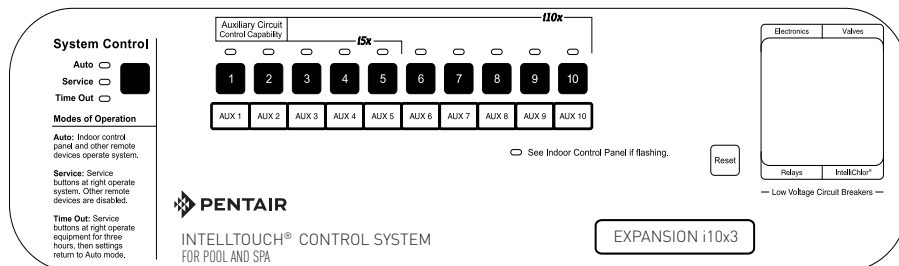
## Dual Body Dual Equipment System Model i10+3D

The i10+3D is designed to operate two sets of pool equipment. Each set of a equipment (Pool or Spa) can control one temperature setting. Operation same as i9+3 except **S** and **P** buttons operate independent filter pumps and the Heater and Solar buttons operate independent heating systems and no valve controls.

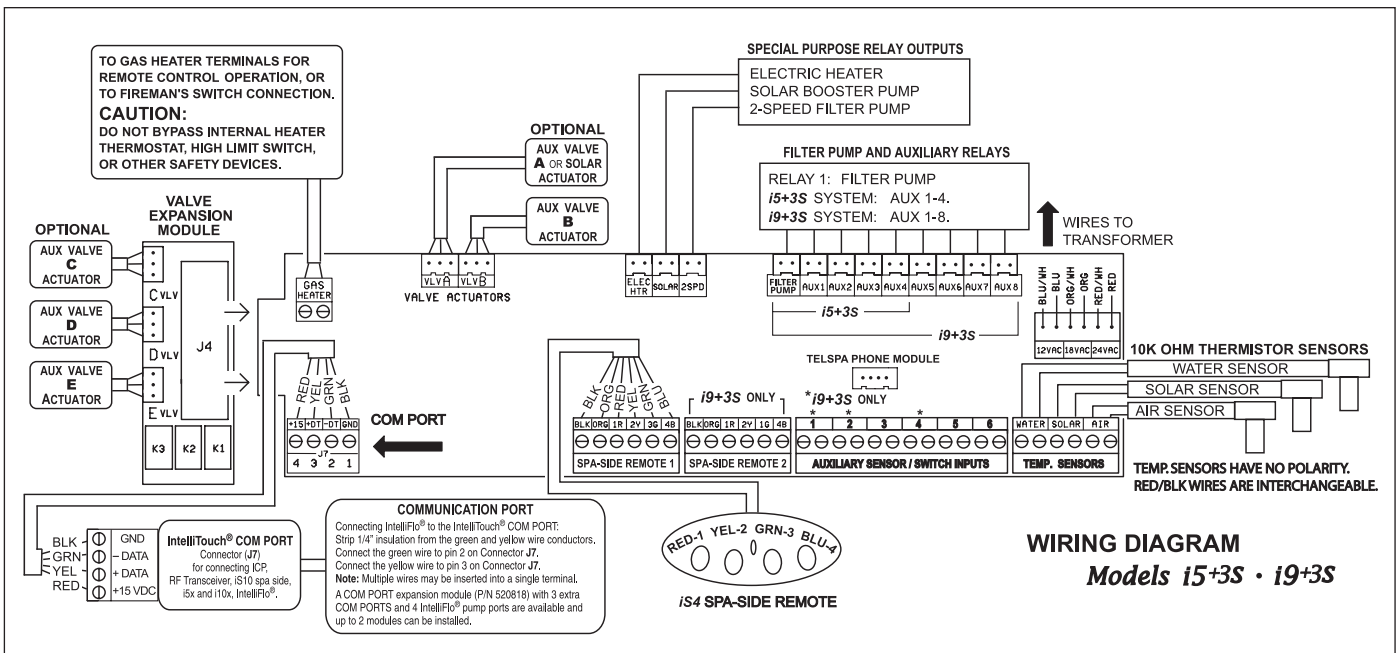
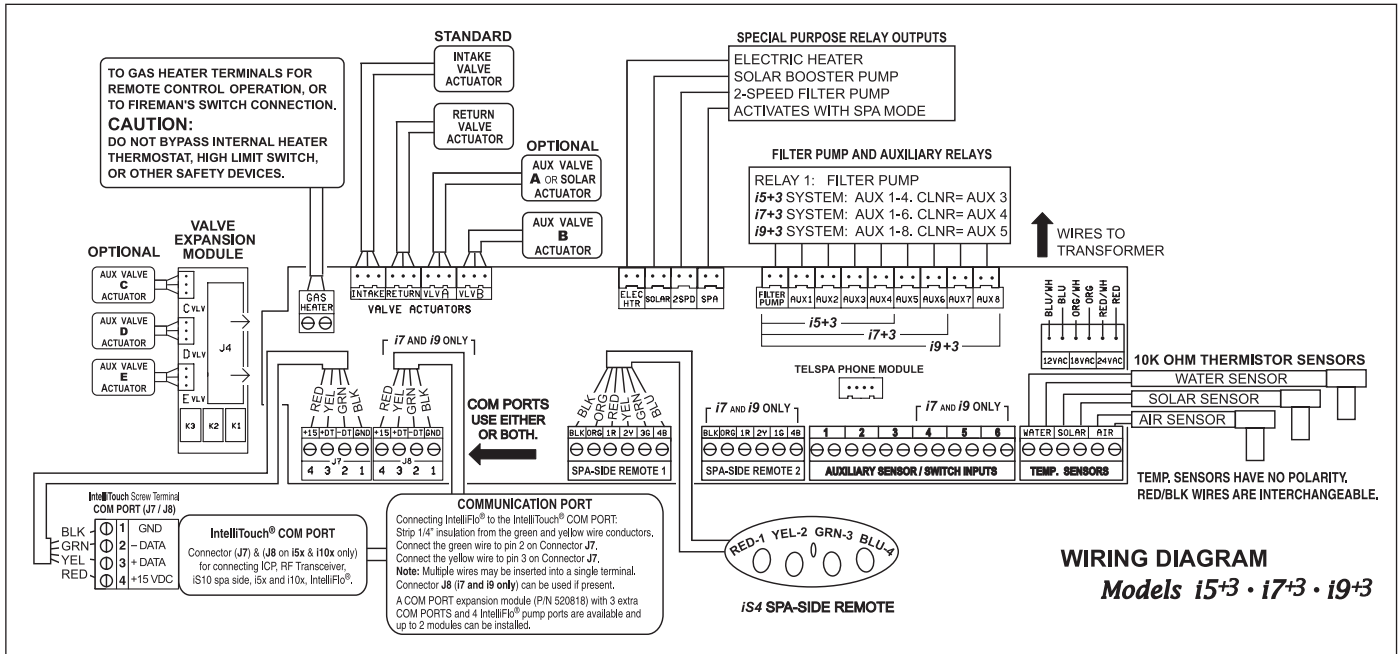


## Expansion Centers Model i5x, i10x

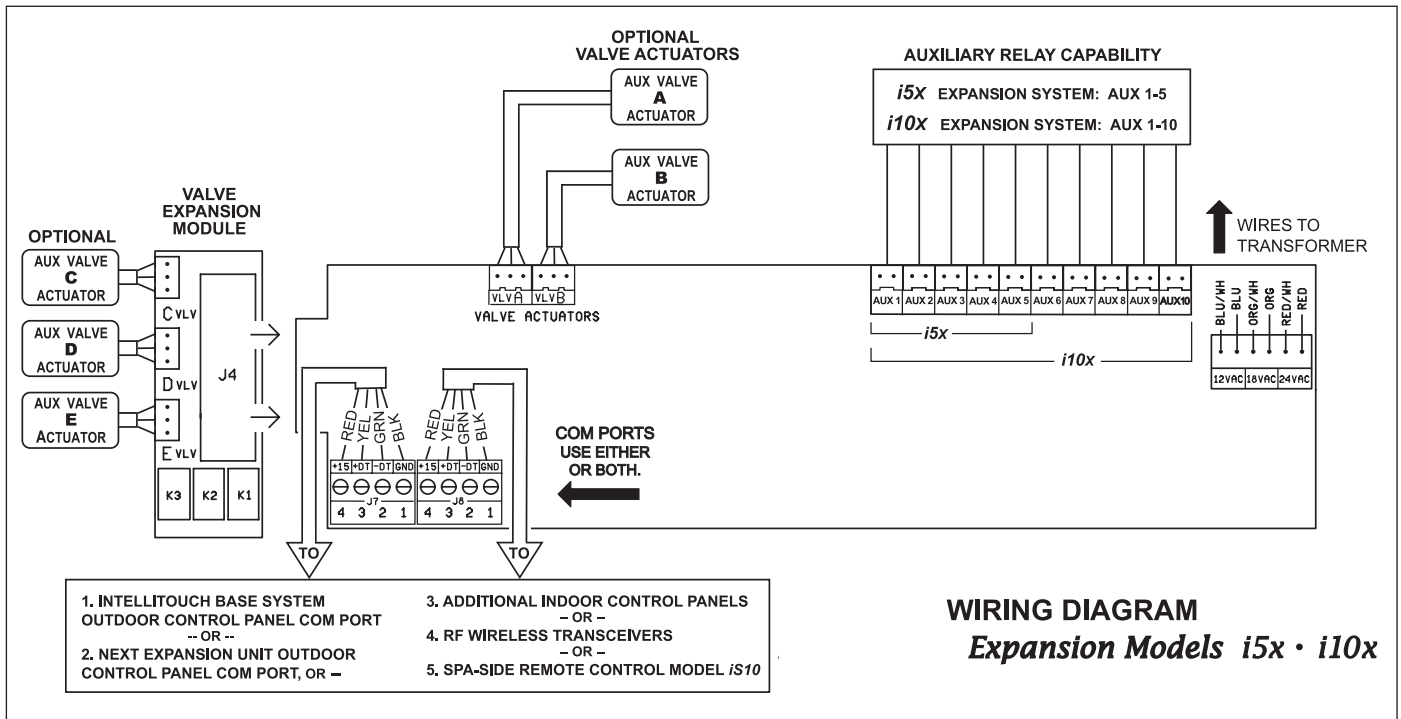
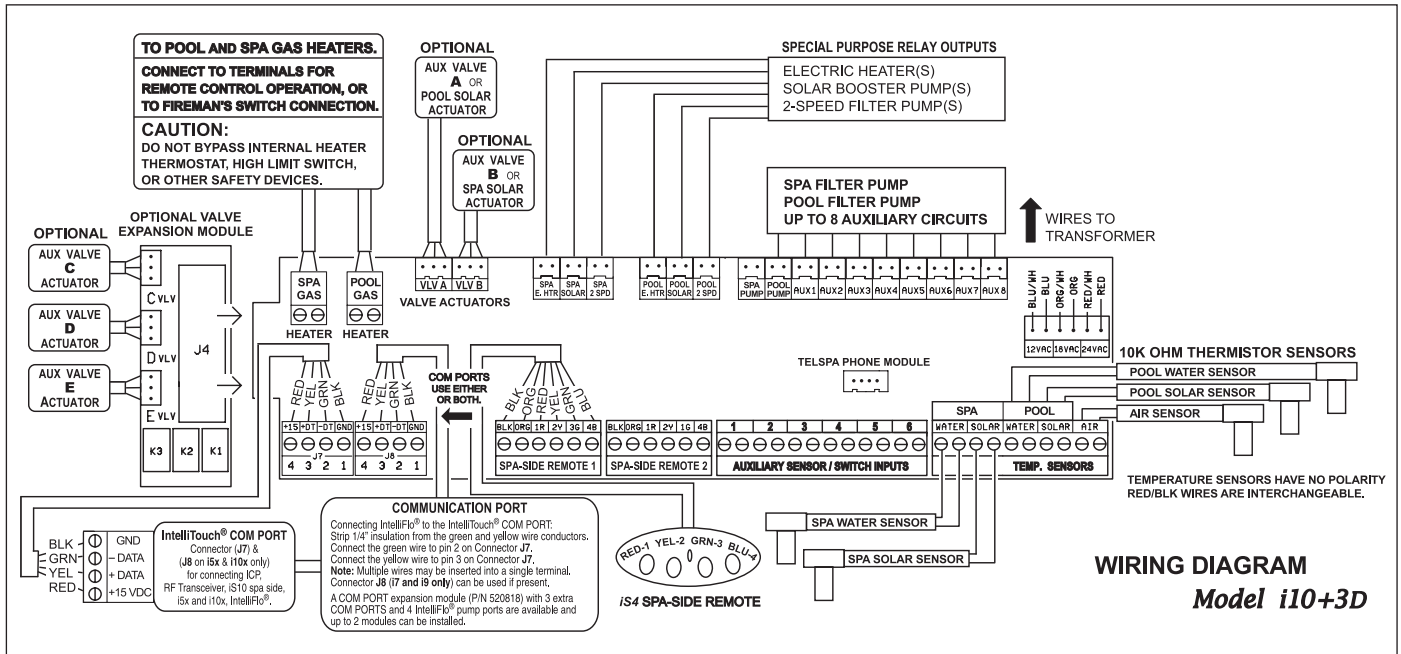
Expansion Centers provide additional valve and auxiliary circuits. They are designed to operate with base systems: i9+3, i9+3S, i10+3D. The “Auxiliary circuit control capability” buttons operate the same way as on the main base Outdoor Control Panel.



# IntelliTouch® Control System Wiring Diagram (i5+3S, i7+3 and i9+3S)



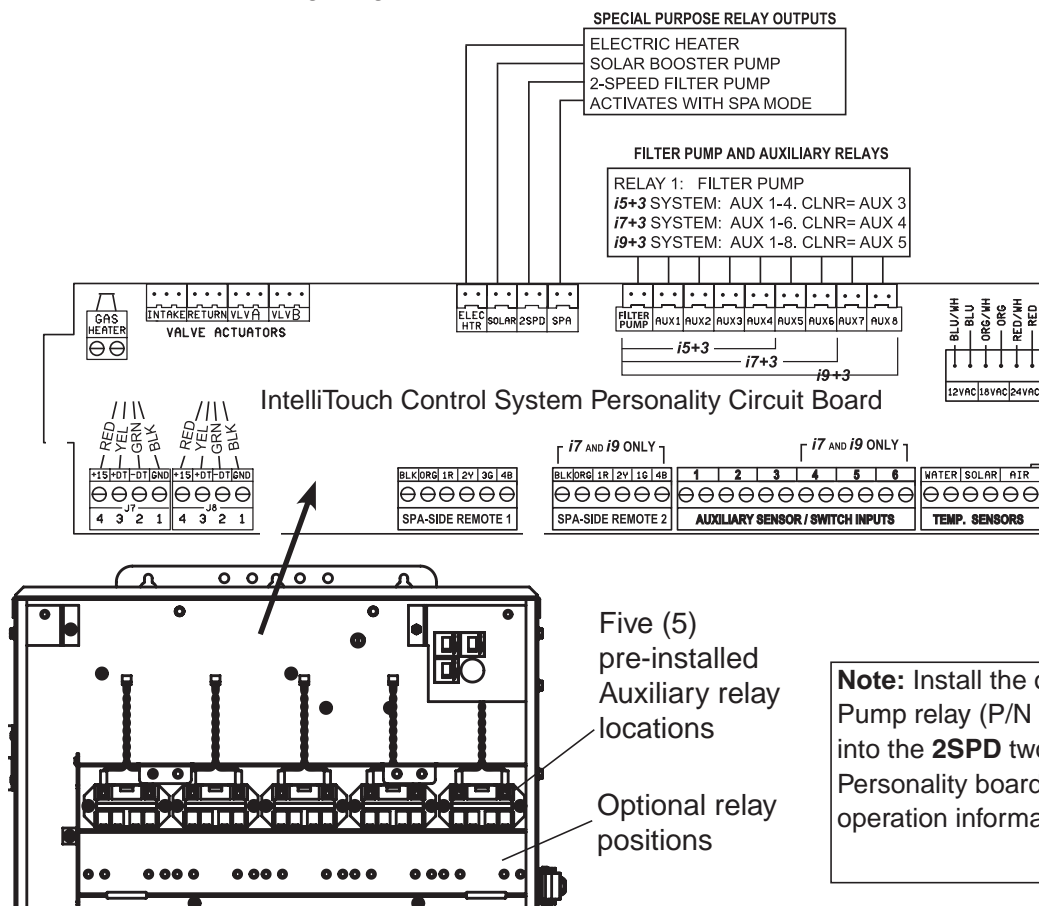
# IntelliTouch® Control System Wiring Diagram ((i10+3D, i10x and i5x)



# Connecting the IntelliTouch® Control System Relays

There are five pre-installed relays in the IntelliTouch® Control System Load Center or Power Center. To connect the pre-installed relay cable plugs to the IntelliTouch® Control System Personality circuit board:

- Route the power relay cable plugs up through the high voltage compartment to the Personality circuit board. Insert the plug into the two-pin sockets, beginning with **FLTR PUMP**, then **AUX1**, **AUX2**, **AUX3**, and **AUX4**. For the two-pin socket locations, refer to the diagram shown below. For IntelliTouch Control System wiring diagrams, see pages 34-35. Note: **For optional relays**; insert each optional auxiliary relay plug into the one of the two-pin sockets, beginning with **AUX5**, **AUX6**, **AUX7** and **AUX8**.
- Dual Equipment: Pool and Spa with Dual Sets of Equipment** – The IntelliTouch® Control System i10+3D (P/N 521222) is designed to operate two sets of pool equipment. Each set of a equipment (Pool or Spa) can control one temperature setting. This Personality Kit can control up to 10 pumps and/or lighting circuits, plus two heater circuits. The Personality Kit includes, eight auxiliary circuits plus a filter pump.
- Single Equipment: Pool Only or Spa Only Applications** – The IntelliTouch® Control System i5S+3 (P/N 521219) and i9+3S provide advanced automation for a single body of water. The i5S+3 Personality Kits includes four auxiliary circuits plus filter pump operation. Five relays are included in the Load Center. The i9+3S (P/N 521224) Personality Kits includes eight auxiliary circuits plus filter pump operation and the +3 option (create a Feature Macro circuit for valve actuators without using an existing output auxiliary circuit). Four relays are included in the kit and five in the Load Center. You can create a Feature circuit for valve actuators without using an existing output auxiliary circuit, and special light functions for color lighting. This model also allows HI-TEMP and LO-TEMP settings.



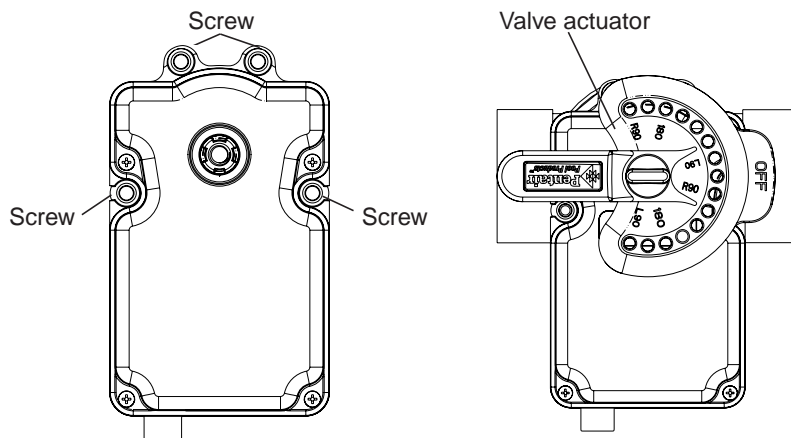


## Installing Valve Actuators

The IntelliTouch® Control System can control up to four automatic valve actuators. Two of the valve outputs are dedicated to the pool/spa intake (INTAKE) and return (RETURN) valves. Valve A or Valve B actuators are for general purpose use (solar, water-feature, in-floor cleaner, etc.). Using the Valve Expansion Board, an addition three actuators can be added to the IntelliTouch Control System Personality circuit board (for more information, see next page). For IntelliTouch Control System shared equipment systems there are two motorized valve actuators (CVA-24T, P/N 263045) provided in the kit.

To install the valve actuator (two-way valve example shown):

1. Remove the valve knob, handle and the four screws, from the valve cover (indicated with arrows).
2. Align the splines of the actuator shaft over the shaft of the valve.
3. If the actuator is not aligned with the mounting holes on the valve cover, rotate the actuator (while still attached to the valve) until the actuator is positioned correctly over the valve.
4. Secure the actuator with the screws provided. Only use self-tapping screws when required.

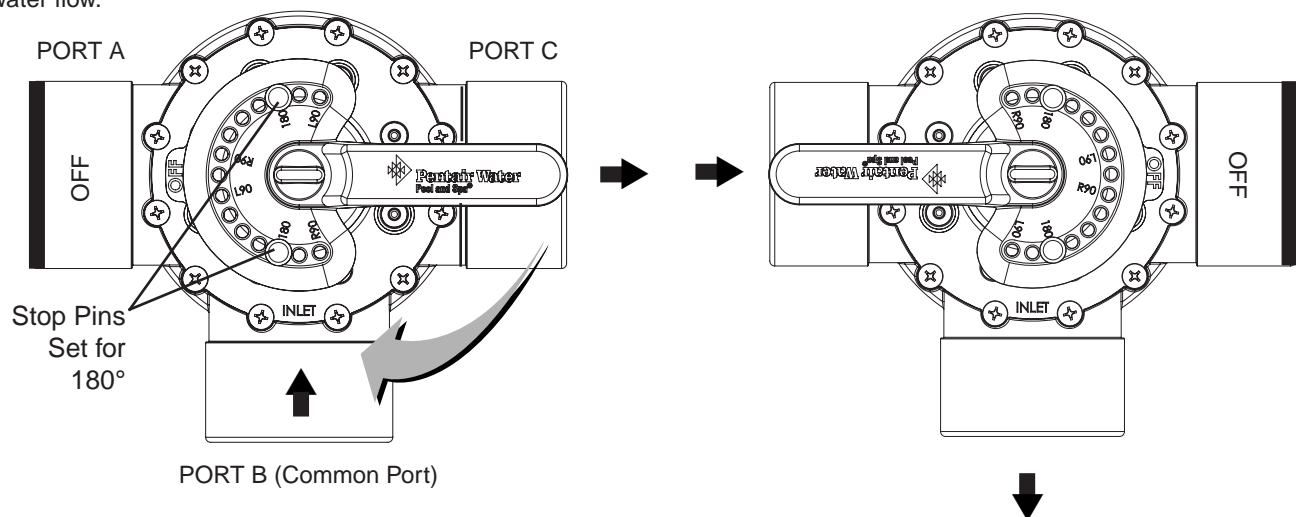


### Adjusting the valve position (3-way valve shown below)

If the valve rotates to the wrong position, adjust the switch on the back of the actuator between ON1 and ON2 positions. This will rotate the valve to the correct position. The following diagram shows the standard plumbing and valve actuator position.

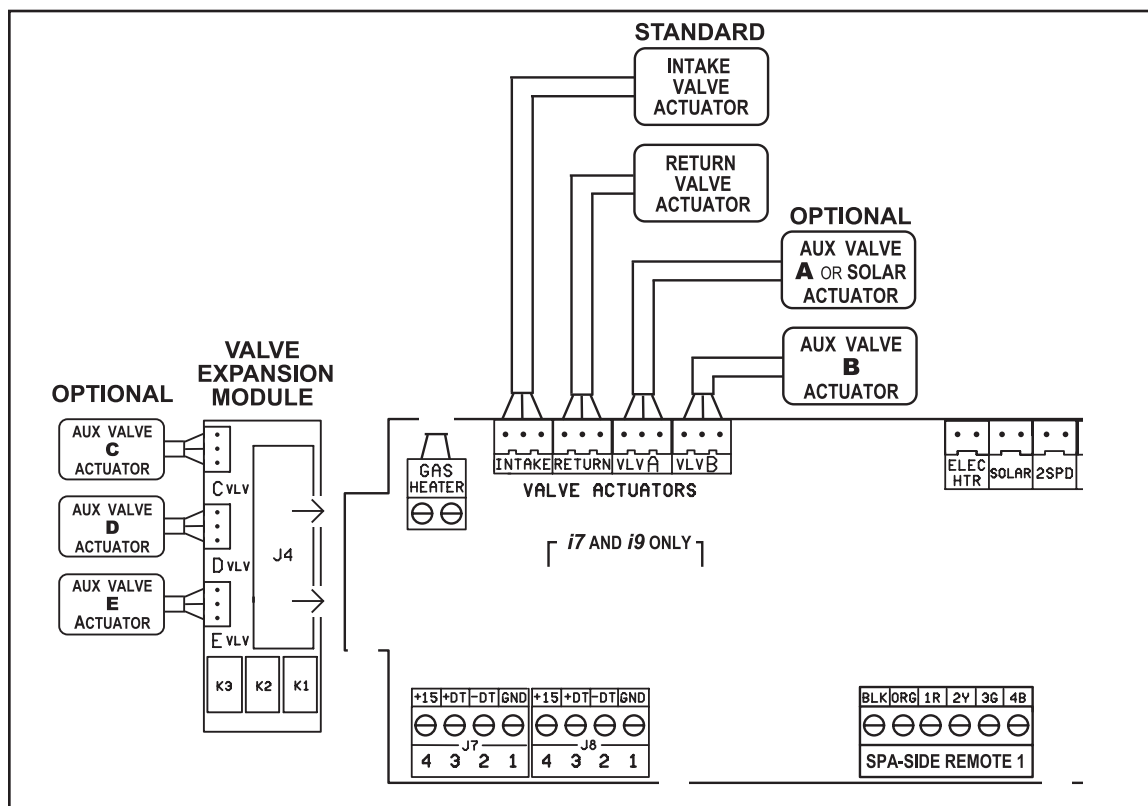
**Valve Handle Operation: To reposition the valve handle:** Rotate the handle to the desired "OFF" position. The diverter valve handle OFF indicator, represents the current position of the valve's internal diverter seal which will stop the flow of water. The valve handle stop-pins determine the position of the diverter valve's internal seal to stop or allow water flow. Note: When a motorized valve actuator is installed, stop-pins are not required.

**Handle Stop-Pins Positions:** The two movable stop-pins can be set to allow the valve handle's position to completely stop the flow of water, regulate a limited flow, or allow the maximum flow. To set the stop-pins: Insert the stop-pins in the pin holes according to the corresponding "degree indicator" displayed on top of the handle. The stop-pin positions can be set to 180°, L90° (left-side) and R90° (right side). Repositioning of either stop-pins allows the handle to be set to any desired percentage of water flow.



6. At the Load Center or Power Center, route the cable up through the 1" grommet and low voltage raceway to the circuit board.
7. **IntelliTouch® Control System Personality Circuit Board:** Connect the Valve A actuator cable plug into the **INTAKE** (suction) 3-pin socket, and Valve B actuator cable plug into the **RETURN** three-pin socket on left side of the Personality board. Excess cable can be coiled in the enclosure low voltage raceway left side compartment. Do not coil the wire in upper low voltage compartment. For IntelliTouch Control System circuit board connections, see below. For System Wiring Diagrams, see page 34 and 35. For more information about plumbing requirements, see Item 2 and 3 of "Plumbing Requirements" on page 36.

**IntelliTouch® Control System Optional Valve Module Expansion Board:** Using a Valve Module Expansion board (P/N 520285), three additional valve actuators (VALVE C, D and E) can be added to the system. The expansion board attaches to the edge of the Personality circuit board. For installation and operation information, refer to the IntelliTouch Control System Valve Actuator Installation Guide (P/N 520294).



IntelliTouch Control System Personality Circuit Board



# Installing and Connecting Temperature Sensors

## Water Temperature Sensor

To install the water sensor:

1. Select a convenient location to mount the water sensor in the plumbing system between the filter pump and filter. Drill a 3/8" diameter hole in one side of the pipe,
2. Insert tip of sensor into the hole. Use the band clamp to secure the sensor to the pipe. Tighten the clamp just enough so that the o-ring begins to flatten. Do not overtighten
3. Fasten the cable to the plumbing with cable ties.
4. Run 22 AWG two-conductor cable (included in kit) between the sensor and the enclosure. Route the conductor up through the low voltage raceway to the circuit board.
5. Cut off the excess conductor and the strip conductors ¼ inch. Use waterproof connectors (provided) to connect the sensor to cable.

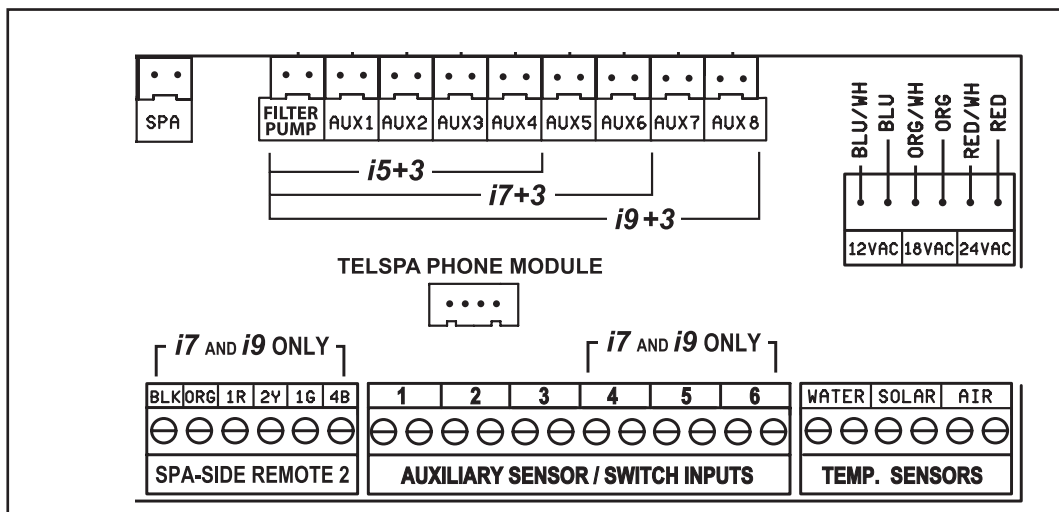
**IntelliTouch® Control System:** Insert the conductors into the **WATER SENSOR** screw terminals (**J5**) on right-side of the Personality circuit board. For System Wiring Diagrams, see page 34 and 35.

## Ambient Air Temperature Sensor (for freeze protection)

To install the air sensor:

1. Mount the sensor in the open air, in a shaded area, away from air conditioners. During the winter months, to avoid freeze damage to pool and spa equipment, mount the air sensor in a shaded area to assure proper temperature readings. The main screen displays the current ambient air temperature.
2. Fasten the cable to the plumbing with cable ties.
3. Run 22 AWG two-conductor cable (included in kit) between the sensor and the enclosure. Route the conductor up through the low voltage raceway to the circuit board.
5. Cut off the excess conductor and the strip conductors ¼ inch. Use waterproof connectors (provided) to connect the sensor to cable.

**IntelliTouch® Control System:** Insert the conductors into the **AIR** screw terminals (**J5**) on



IntelliTouch® Control System Personality Circuit Board

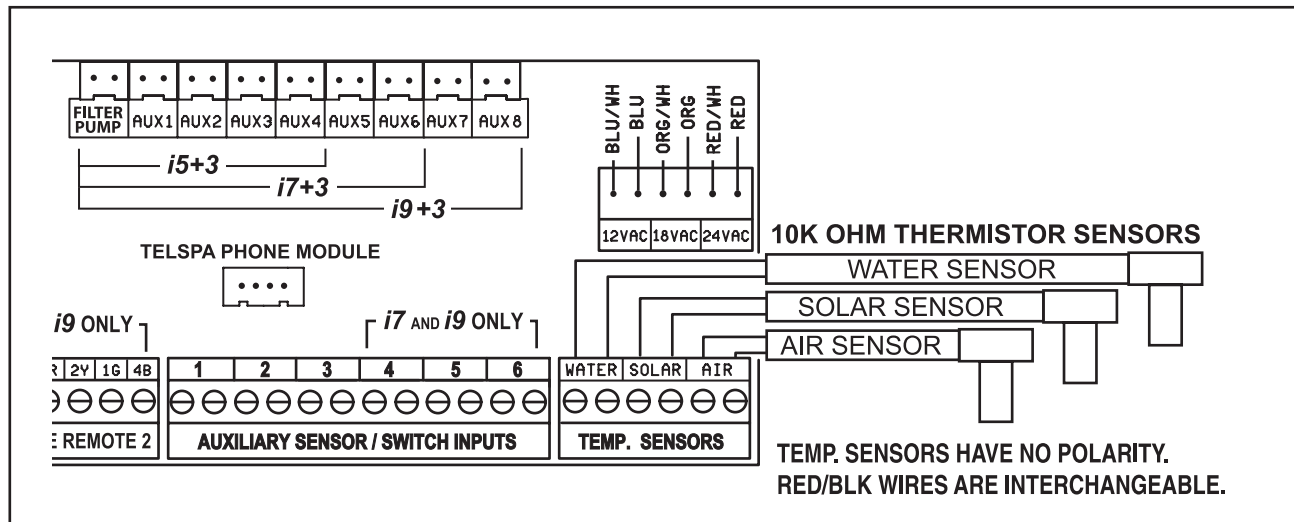
## Solar Temperature Sensor (Optional)

Run a two-conductor cable between the sensor and the IntelliTouch® Control System Personality Circuit Board in the Load Center.

To install the solar sensor:

- 1 Mount the sensor on a flat surface, with the same exposure to sun as the solar collectors (next to the collectors is recommended) or any sunny location. Do not let the sensor touch the panels. **WARNING: DO NOT DRILL HOLE AND CLAMP SENSOR INTO SOLAR PIPE.** For glazed panels, install the sensor between collector and glazing.
- 2 If necessary, splice a two-conductor extension conductor to the sensor. Run two-conductor cable between the sensor and the enclosure. Use waterproof connectors to connect the sensor to the cable. Use twisted pair 20 AWG outdoor rated sensor wiring and be sure the conductor connections are protected from the environment. Use shielded cable for long runs or runs near other electrical wiring.
- 3 Cut off the excess conductor and the strip conductors ¼ inch. Use waterproof connectors (provided) to connect the sensor to cable.

**IntelliTouch® Control System:** Insert the conductors into the **SOLAR SENSOR** screw terminals (**J5**) on right side of the Personality circuit board. For System Wiring Diagrams, see page 34 and 35.



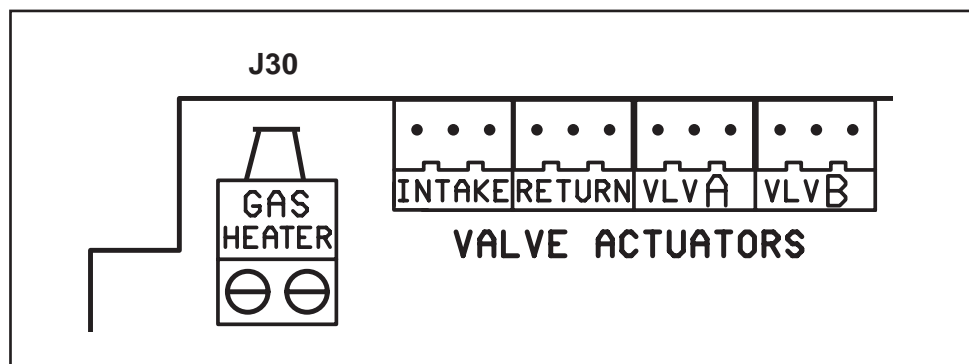
IntelliTouch Control System Personality Circuit Board

## Connecting a Standard Gas Heater

For IntelliTouch® Control System heater control, there are low voltage dry contacts that can be connected to most gas heaters or heat pumps with 24 VAC control circuits . The following connection instructions are for gas heaters and heat pumps with low voltage thermostats.

To connect the heater thermostat cable plug to the IntelliTouch Personality circuit board:

1. **CAUTION! Switch the power OFF to the heater.**
2. Remove the factory installed jumper from the heater's "Ext Switch" connector. **CAUTION IMPORTANT: DO NOT** disconnect or conductor around the thermostat, pressure switch, high limit switch, or other safety devices. At the heater, connect the conductors in accordance with heater manufacturer's instructions. For older heaters without instructions for remote operation, connect the conductors to the Fireman's switch connections in series with the thermostat, pressure switch, and other safety switches.
3. Run a two-conductor cable from the heater thermostat "Ext Switch" connector to the low voltage raceway to the Personality board in the Load Center. **NOTE:** Use 221° F (105° C) temperature rated conductor for connection to the heater. When connecting conductors inside the heater, be cautious of HOT internal parts of the heater. Refer to the minimum temperature rating for conductors recommended by the manufacturer. See the heater owners manual for details.
4. Strip the conductors ¼ in.  
**IntelliTouch Control System Personality circuit board:** Insert the two conductors into the **GAS HEATER (J30)** two-screw terminal on the left side of the Personality circuit board. For IntelliTouch system wiring diagram, see page 34.  
**CAUTION:** Be sure that the conductors from the heater to the Load Center or Power Center are not near or touching any line voltage conductors in the heater. Failure to follow these instructions may cause the heater to malfunction.
5. Set the Power (Thermostat Select) switch to either "Pool" or "Spa."
6. Set the "Pool" and "Spa" thermostats to their maximum position.



IntelliTouch® Control System Personality Circuit Board

## Connecting an UltraTemp® Heat Pump

Be sure to check the UltraTemp® Heat Pump terminal block conductor colors and pinouts (located on the back of the Auto Set board) before connecting it to the IntelliTouch® Control System COM ports. See the wiring table below for the pin configuration.

**IMPORTANT: On the UltraTemp® Heat Pump AutoSet circuit board ONLY CONNECT PIN 3 (YELLOW) and PIN 2 (GREEN) to the IntelliTouch COM port pins YELLOW and GREEN respectively. Do not connect pin 1 or pin 4 on the AutoSet board or the COM port. These pins are not used.**

### Wiring Description

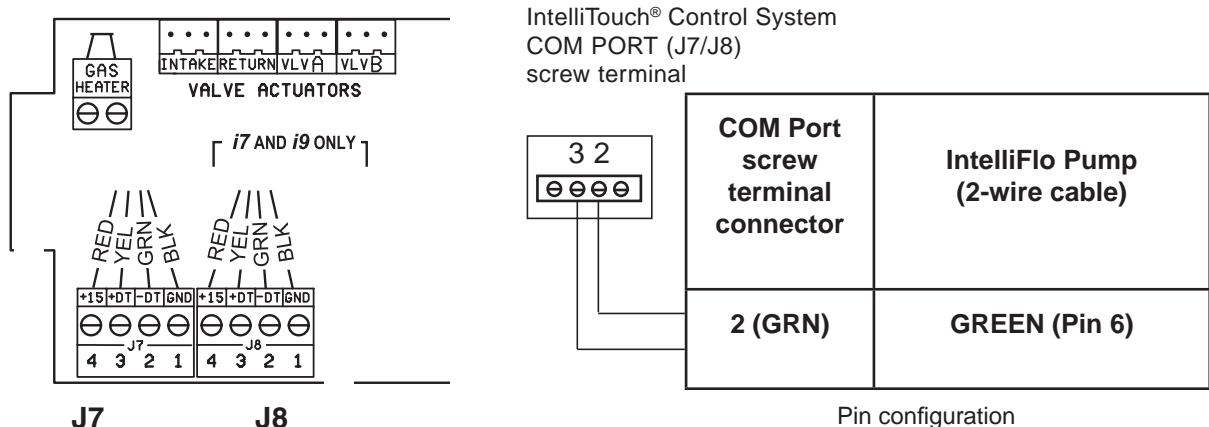
COM port wire color	Description	UltraTemp® Heat Pump pin number and wire color
PIN 4 (RED) (DO NOT USE)	+15 VDC	PIN 4 (DO NOT USE)

## Connecting an IntelliFlo® Pump

The RS-232 communication cable (provided with pump) consists of a 50 ft 22 AWG four conductor low voltage cable. The IntelliTouch® Control System filter pump output is rated at 120 VAC, 15 AMP maximum. Check the electrical rating marked on the pump motor before connecting it to the system.

To connect the IntelliFlo Pump communication cable to the Load Center:

- CAUTION! Switch AC power OFF to the load center or power center at the main house circuit breakers.**
- Run the communication cable from the pump to the enclosure.
- Insert the cable into the one of the plastic grommet fittings, located on the lower left side of the enclosure and pull the cable up through the low voltage to the low voltage compartment to the IntelliTouch® Control System Personality Circuit Board.
- Strip back the outer jacket four (4) inches. Strip back each conductor a ¼-inch.
- IntelliTouch® Control System:** Insert the conductors into either of the COM PORTS (J7 and J8) screw terminals located on the left side of the Personality Circuit Board. Secure the conductors with the screws. For wiring details, refer to the pin configuration shown below. Note: Multiple conductors may be inserted into a single screw terminal. For System Wiring Diagrams, see page 34 and 35.



IntelliTouch® Control System Personality Circuit Board

## Rewiring the System Transformer for 240 VAC

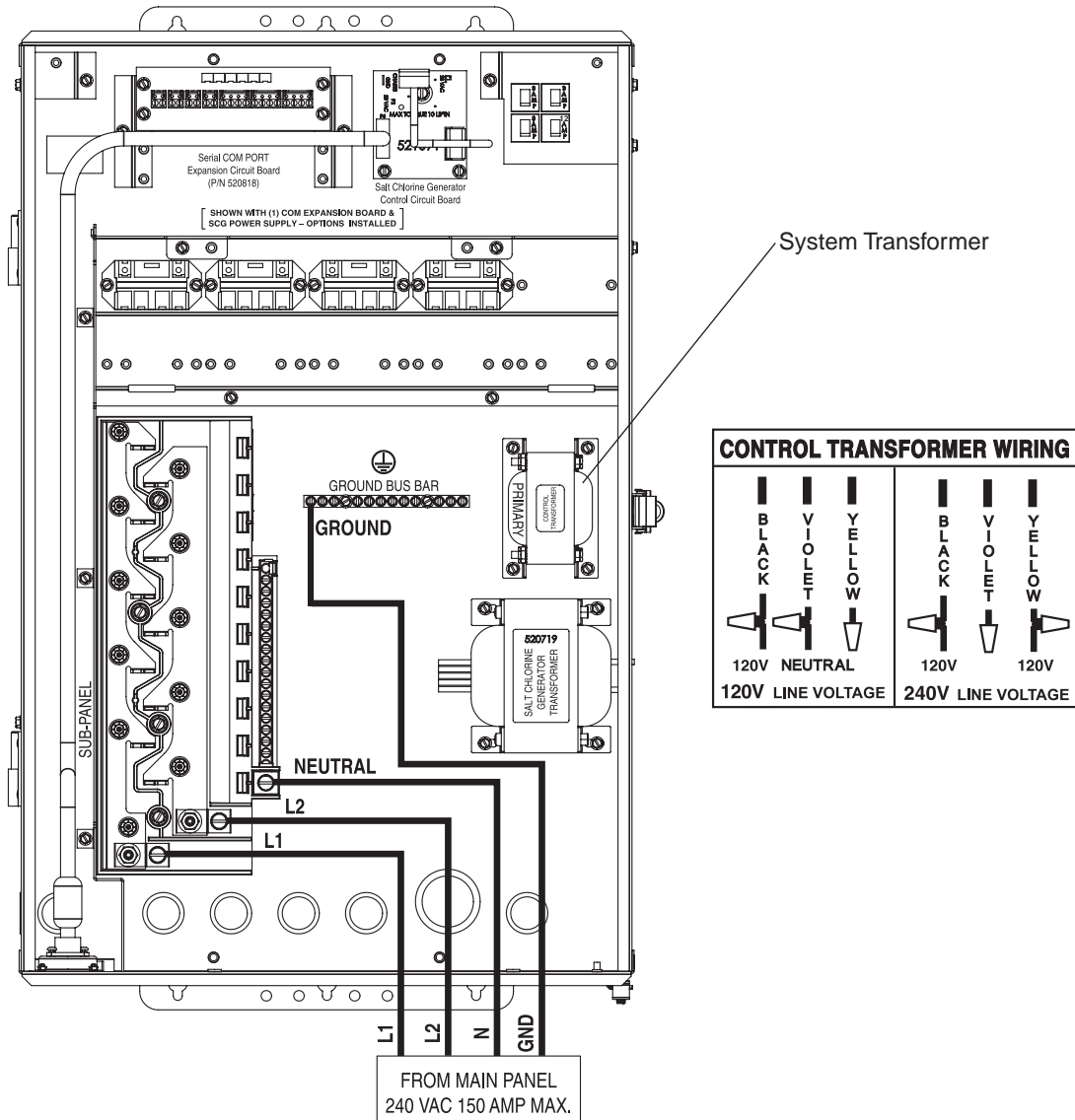
The Load Center and Power Center system transformer can be wired for 120 VAC at 2AMP 50/60 Hz (factory installed) or 240 VAC at 1AMP 50/60 Hz. The system transformer is pre-wired at the factory for 120 VAC service.

To rewire the system transformer and for 240 VAC:

### **WARNING**

**BEFORE REMOVING THE HIGH VOLTAGE COVER PANEL FROM THE LOAD CENTER OR POWER CENTER ENCLOSURE** switch the main power **OFF** into the home at the main circuit breaker box and also switch **OFF** the main power to the Load Center and Power Center.

1. **CAUTION! Switch the power OFF to the Load Center and Power Center.**
2. Unlatch the front door latch and open the front door.
3. Remove the two (2) retaining screws securing the high voltage cover-panel. Remove the HIGH VOLTAGE COVER PANEL from the enclosure (see illustration on page 10).
4. Rewire the system transformer for 240 VAC as shown in the wiring diagram below.
5. Install the high voltage cover panel and secure it with the two retaining screws.
6. Close the enclosure front door and secure with the latch.



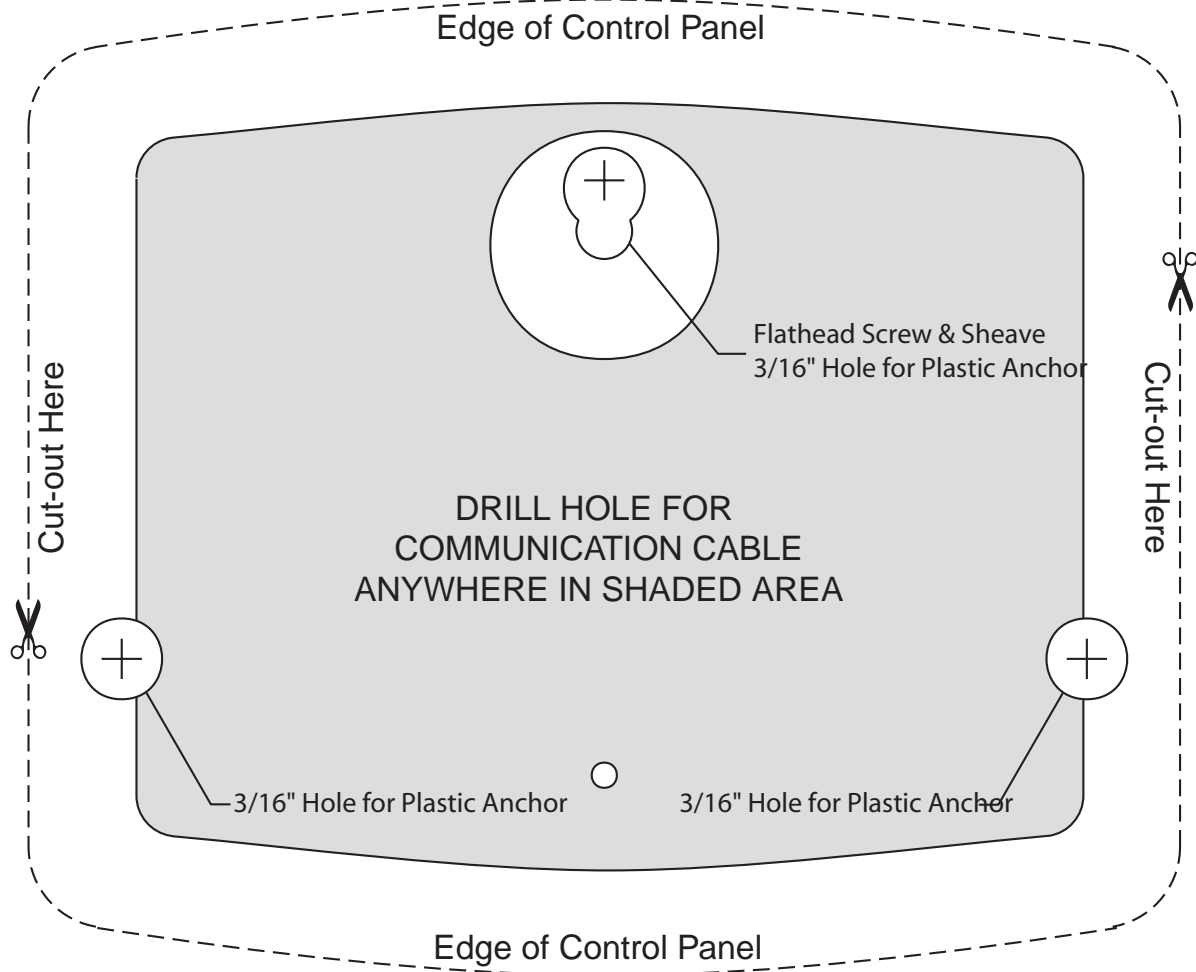
## Installing the Indoor Control Panel

The Indoor Control Panel controls pool, spa, lights and other functions of the IntelliTouch® Control system from inside the home or a sheltered area. Select a convenient wall location inside the house or other weather-protected area for mounting the Indoor Control Panel.

### Drill Control Panel Wall Mounting Holes

To drill the control panel mounting holes:

1. The Control Panel is 5-¾ in. wide. Using the cutout template below, mark the three screw locations on the wall for the mounting holes. Drill the three mounting holes. If the screws are not being screwed into studs, drill 3/16 in. holes and insert wall anchors (included in the kit) as required.
2. Drill a hole ¼ in. within the gray area shown in the template for the communication cable to feed through.



Indoor Control Panel Template

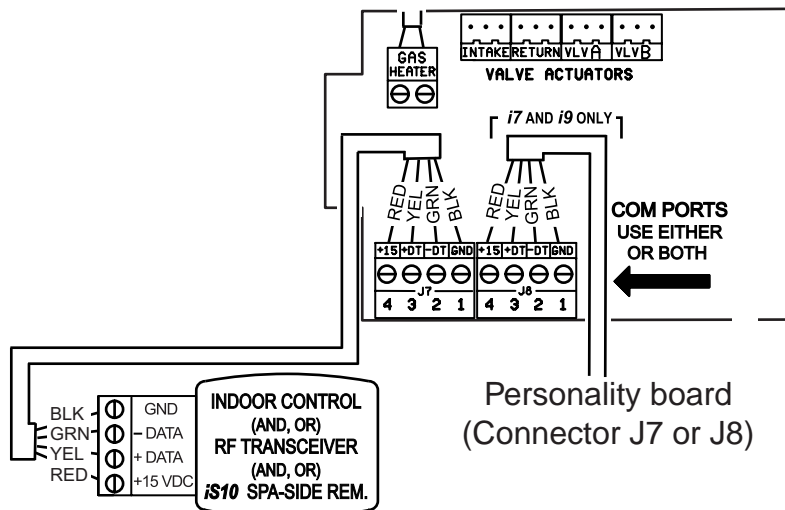
## Cabling the Indoor Control Panel at the Load Center

To connect the Indoor Control Panel cable to the Personality board:

1. Turn off the main system power before making any connections.
2. Run a UL approved four conductor cable (22 AWG) from the Indoor Control Panel to the Load Center. The preferred conductor color scheme is: Red, yellow, green, and black.

**CAUTION** Do NOT short GND or +15V connections (Red or Black) to data lines (Green or Yellow). The Control Panel board may be permanently damaged. Do NOT reverse GND or +15V or system will not operate.

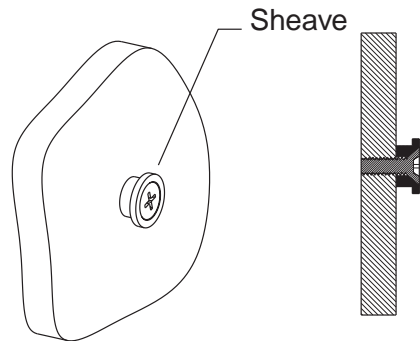
3. Route the cable up through the low voltage raceway to the Personality board. To access the Personality board, refer to Installing the Outdoor Control Panel, page 10.
4. Strip back the communication cable conductors ¼ in. Insert the conductors into the screw terminals (provided in the kit). Secure the conductors with the screws. Make sure to match the color-coding of the conductors: Red = +15, Yellow = +DT, Green = -DT, and GND = Black.
5. Insert the cable plug onto either of the **COM PORTS (J7 or J8)** connectors located on the left side of the Personality circuit board. For IntelliTouch connector locations, see page 34.
6. Proceed with **Cabling the Indoor Control Panel**, page 24.



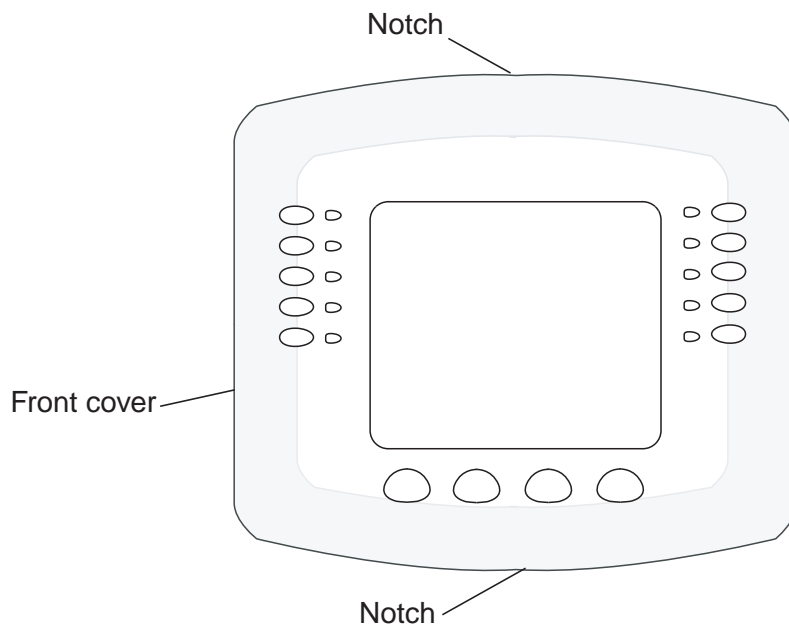
## Cabling the Indoor Control Panel

To connect the communication cable to the Indoor Control Panel:

1. Route the cable through the house wall to the location of the Indoor Control Panel. Pull a working length of the communication cable out of the house wall.
2. Drill the flathead screw (provided) through the mounting sheave and into the wall.



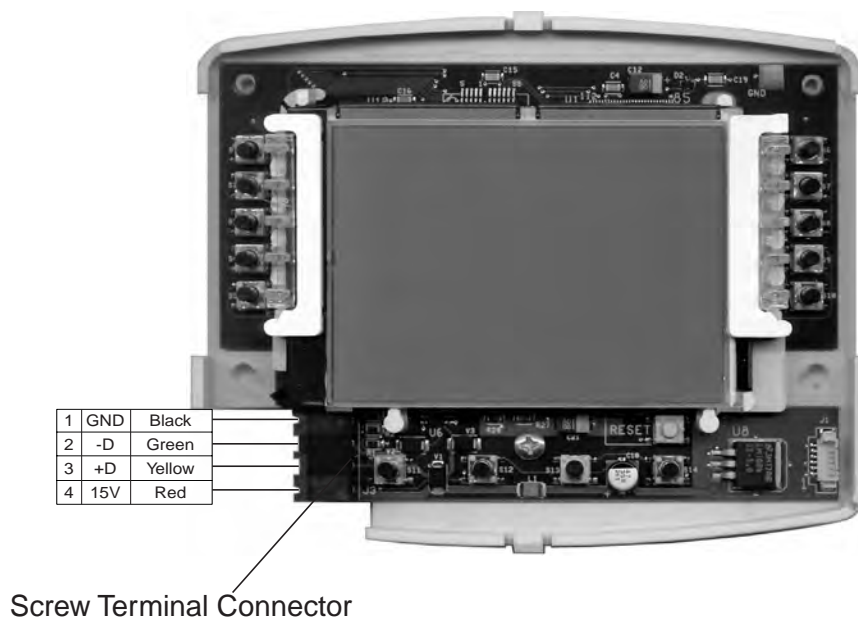
3. **Remove the control panel front cover:** From the front of the control panel, insert the tip of a small flat-blade screw driver into the notch on the top edge of the control panel cover and gently pry the cover off from the control panel base.



Indoor Control Panel (front view)



4. Strip the leads of the communication cable conductors ¼ in. Insert the conductors into the screw terminals (provided in the Personality Kit). Make sure to match the color-coding of the conductors (see front of circuit board). An optional cable clip feature has been built into the back plate to help guide the communication cable.
5. Insert the screw terminal connector onto the circuit board socket.
6. Mount the control panel on the wall. Slide the control panel back plate over the mounting sheave and slide down. Rotate back plate as necessary to make level. The bottom mounting holes should be visible through cutouts in the controller board.
7. Feed the cable back into the wall so that the remainder left outside the wall fits behind the back plate.
8. Install the pan head screws into the wall to secure the back plate.
9. Mount the control panel cover over back plate and snap in place to secure. Remove the clear protective plastic sheet from the control panel LCD.



Indoor Control Panel (rear view)


## MobileTouch® Wireless Controller

The MobileTouch® Wireless Controller provides wireless control of the IntelliTouch® Control System system. The MobileTouch Wireless Controller kit consists of:

- Hand-held wireless LCD control panel
- Cradle AC adapter for recharging the unit
- Transceiver antenna module


### Mounting and Connecting the MobileTouch Wireless Controller Transceiver Module


The Transceiver module is a two-way radio device with an attached antenna that communicates to and from the IntelliTouch® Control System via the MobileTouch® Wireless Controller. Mount the Transceiver module at a convenience location (on a flat vertical surface) near the Load Center or Power Center, at a minimum of 5 ft. above ground level to optimize the functional operating range of the MobileTouch Wireless Controller.

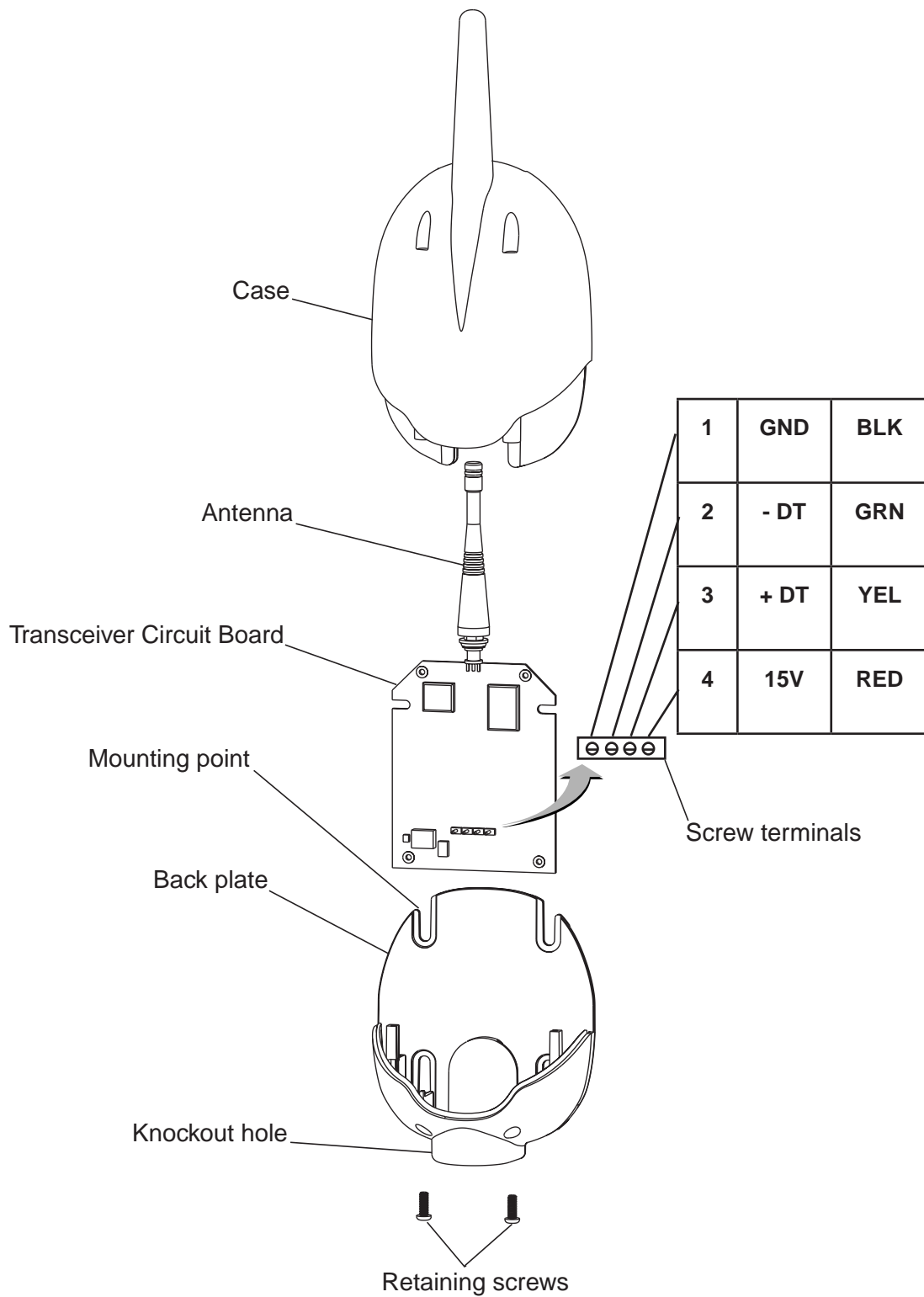
 **CAUTION!** To avoid signal interference, mount the Transceiver module antenna a minimum of 10 ft. away from the Load Center or Power Center, any metal surface/structure, or air blower located in the immediate area of the equipment pad.

The MobileTouch Wireless Controller has an operating range of up to 300 ft. from the MobileTouch Wireless Controller transceiver antenna (line of sight) which is typically located near the IntelliTouch® Control System load center. The optimum wireless transmit and receive range may be affected by physical obstructions, (especially those containing metal), weather conditions, and geographical features.

To mount the Transceiver module:

1.  **CAUTION - Switch the main power off at the Load Center or Power Center.**
2. Remove the two retaining screws located on the underside of the transceiver. Carefully slide the transceiver case up and off the Transceiver back plate.
3. Remove the Transceiver circuit board. Slide the circuit board up and out of the back plate.
4. Position the back plate against the mounting surface so that the transceiver is oriented in an upright position (with the antenna pointing upwards). Use a pencil to mark the four mounting points. Drill four 3/16 in. diameter holes into the mounting surface and insert the four plastic anchors (provided in the Personality Kit).
5. Feed a UL approved four 22 AWG conductor cable through the knockout hole at the bottom of the enclosure. Do not run cable conductors through the drain holes. If the knockout hole is not being used to run conductor through, drill a hole through the bottom of the back plate and seal it using a fitting with a few feet of conduit or some other sealant between the case and the cable.
6. Position the back plate over the mounting points and secure it with the four mounting screws (provided in the Personality Kit).
7. Carefully slide the Transceiver circuit board back into the back plate.
8. Strip back the conductors ¼ inch. The recommended conductor color scheme is red, yellow, green, and black. Insert the conductors into the screw terminals (provided in the Personality Kit). Connect the screw terminal connector onto the circuit board. For System Wiring Diagrams, see page 34 and 35.
9. Slide the Transceiver circuit board case into the back plate. Secure the case using the two retaining screws.
10. Proceed with **Connecting the Transceiver Module Cable to the Personality Board**, on


 **CAUTION** Water damage may occur if the case retaining screws are not secured or a new hole is drilled for the cable and not sealed. Do not seal drain holes.



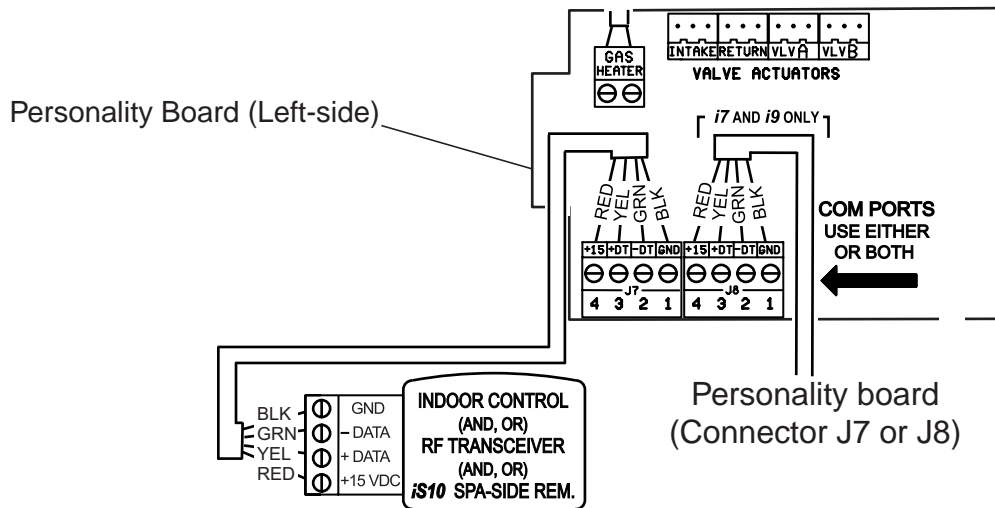
### MobileTouch® Wireless Controller Transceiver Module

## Connecting the Transceiver to the Personality Circuit Board

To connect the Transceiver Module cable:


1.  **CAUTION** - Switch the main power off at the Load Center or Power Center.
2. At the Load Center or Power Center, route the Transceiver module cable up through the low voltage raceway to the Personality circuit board. To access the Personality circuit board, see “Installing the Outdoor Control Panel” on page 10.
3. Strip back the cable conductors ¼ inch. Insert the conductors into the screw terminals (provided in the Personality Kit). Secure the conductors with the screws. Make sure to match the color-coding of the conductors: GND = Black, Green = -DT, Yellow = +DT, and Red = +15
4. Insert the screw terminal connector onto either of the **COM PORTS (J7 and J8)** connectors located on the left side of the Personality circuit board. For System Wiring Diagrams, see page 34 and 35.


**Note:** Multiple conductors may be inserted into a single screw terminal.



## Using the MobileTouch® Wireless Controller

Do not leave the MobileTouch® Wireless Controller in direct sunlight for extended periods of time. If the control panel LCD screen darkens, place it in the shade for five minutes or until the screen returns to normal before using. Do not adjust the contrast, the screen will become too light to see when it cools down to its normal operating temperature.

 **WARNING** Do not plug in the cradle AC adapter into an AC wall outlet power source within five (5) feet of the pool and spa. Canadian installations require a minimum of three meters from pool water. Do not recharge outdoors.

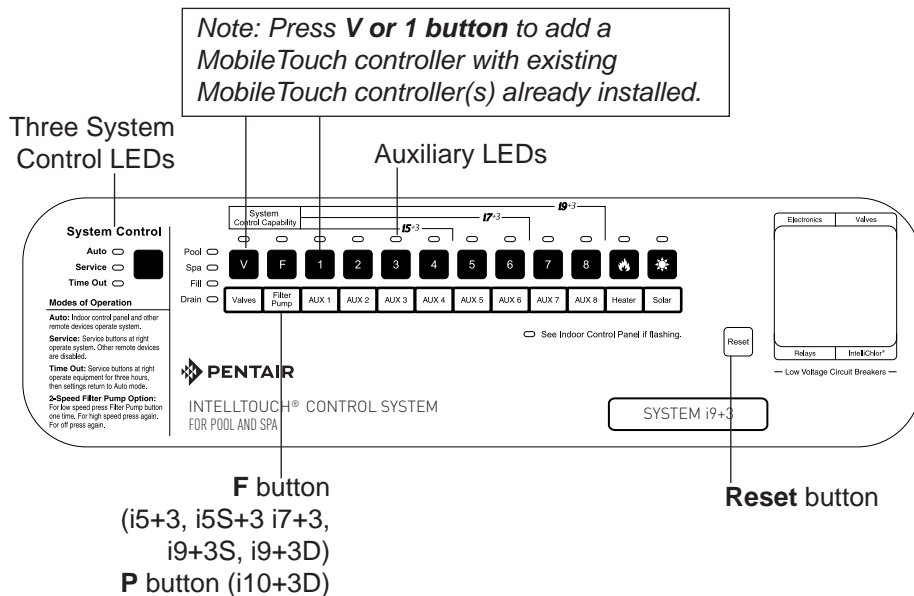
 **CAUTION** The hand-held LCD control panel is NOT intended to be submersible. Remove unit immediately if dropped in water.

## Setting up the MobileTouch® Wireless Controller

The following describes how to assign the MobileTouch® Wireless Controller a communication address for the first time and to add a MobileTouch® Wireless Controller to a system with a MobileTouch® Wireless Controller already installed.

To manually setup a MobileTouch® Wireless Controller:

1. On the Outdoor Control Panel, press the **Reset** button.
2. **First Time Controller install:** The three red **System Control** LEDs will be lit (solid). Wait a few seconds then press the **“F” Filter** button. For model i10+3 press the **“P” Pool Filter Pump** button.  
**Add a MobileTouch® Wireless Controller with existing MobileTouch® Wireless Controller already installed:** The three red **System Control** LEDs will be lit (solid). Wait a few seconds then press the **“V”** button or **“1”** button.
3. The three red **System Control** LEDs and the auxiliary button **LEDs** will begin cycling. **Wait until the LEDs stop cycling.** The three System Control LEDs will start to blink on and off. The system is ready to enable the controller. Continue with step 4. **See note on page 34 if using MobileTouch® Wireless Controller firmware version 1.160/2.160.**



Go to the Advanced screen.



4. From the MobileTouch® Wireless Controller Advanced screen, press the **lower buttons 2 and 4 at the same time**. The Service Personnel screen will be displayed.



Press button **2 and 4** at the same time to access the Service Personnel screen

## Setting up the MobileTouch® Wireless Controller (Continued)

- Press the button next to **LOCK ON ADDRESS** to access the next screen.



- Note:** Before pressing the “Lock On Address” move at least 20 to 30 feet away from the transceiver. Press the button next to **LOCK ON ADDRESS** to assign a unique frequency for the MobileTouch controller to avoid inference from other wireless devices within range of the MobileTouch transceiver.

**Note: For MobileTouch® Wireless Controller firmware version 1.160/2.160:** The “Lock On Address” line displays “MAN ADDRESS LOCK AUTO” - **Press AUTO** to lock on the address. If MobileTouch® Wireless Controller does not connect then use the MAN (manual) mode. You will notice on the IntelliTouch® Control System outdoor control panel there are three System Control LEDs flashing on and off. There are also two other LEDs going on and off. Watch these LEDs and you will see a pause, followed by one of the AUX 1 - 8 or Heater or solar LEDs flash on, then it goes off and a second LED will flash on. Then pause and repeat over and over. AUX 1 - 8 represent number 1 - 8, Heat = 9, and solar = 0. So if you see Pause, AUX 2, AUX 7, see Pause, AUX 2, AUX 7, etc. This indicates CHANNEL 27. The first LED is the 10’s digit, the second LED is the ones digit. Press MAN on the address lock line, a new screen will appear, displaying **ENTER LOCK CODE**. Use the **LEFT and RIGHT buttons** to decrease or increase the number (16 to 47). So in this example you would set it to 27. **Press SAVE**, you will return back to the prior screen. **Press the RESET button** on the outdoor control panel and your controller is ready to use. If the controller is not connecting, check your wiring connections.

- After selecting “Lock On Address” the controller is now ready to operate the IntelliTouch® Control System. The “Service Personnel” screen will be displayed.
- Press **Exit** to return to the main screen or proceed with **Step 9** if you are adding another MobileTouch controller while the IntelliTouch® Control System outdoor control panel LEDs are flashing.
- To add another MobileTouch® Wireless Controller at this time**, repeat Steps 4 through 8 for each controller, if not, continue with Step 10.
- Return the Load Center or Power Center. The System Control LEDs will be flashing. Press the **Reset** button. When the “Auto” LED is illuminated the process is complete and the system is ready for operation.



## Charging the MobileTouch® Wireless Controller

When you are not using the MobileTouch® Wireless Controller, place it in the cradle to recharge the battery. This allows the battery to be fully charged at all times.

To charge the MobileTouch® Wireless Controller battery:

- Plug the AC adapter into an AC wall outlet. Insert the AC Adapter plug into the bottom of the cradle and place the controller in the cradle.

**Note:** When controller is placed in the cradle the display and backlight will be on. After five minutes the backlight will shut off. The controller and display are always on when seated in the cradle. To turn the backlight on, press any button.

Charging the battery:

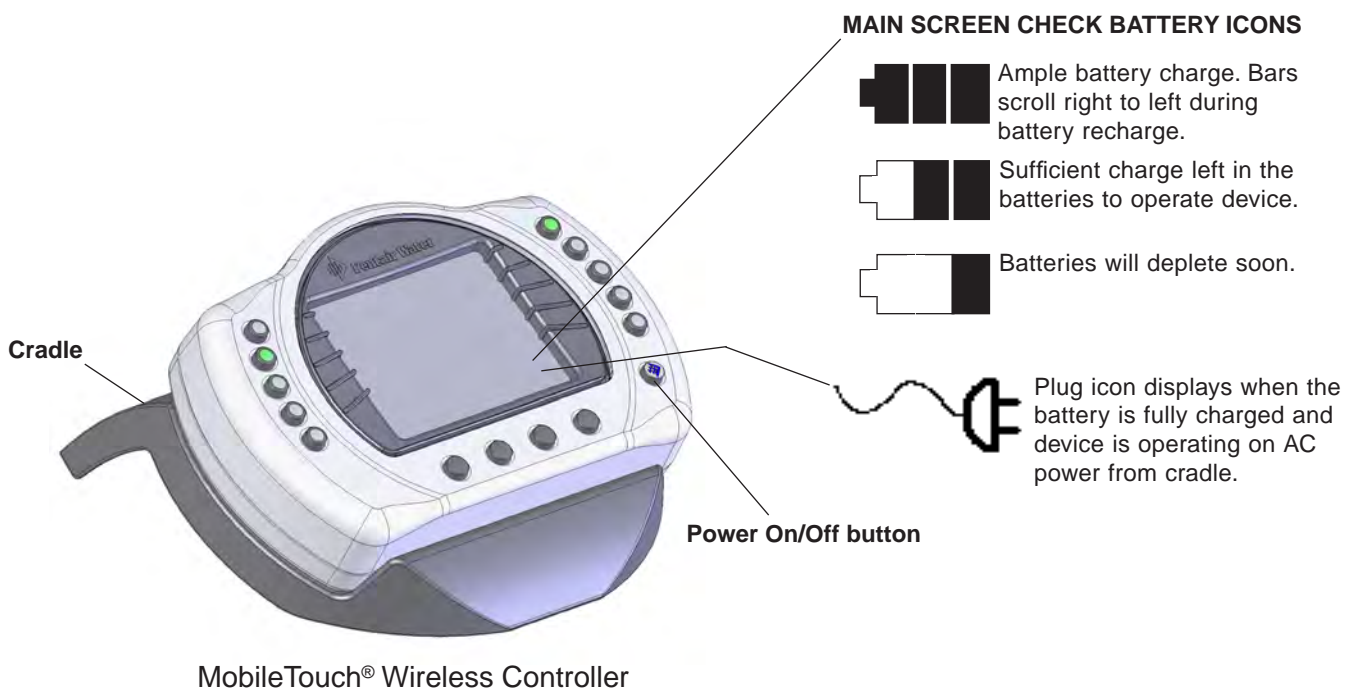
- If the battery screen icon displays one or no bars or the screen is blank, this may indicate that the battery cannot power the device and needs recharging. During battery recharge, the battery icon bars scroll from right to left. A complete battery charge takes about 3 to 4 hours. After a complete battery recharge, the battery icon is replaced with a **power plug** icon, indicating the battery is fully charged and is now operating on AC power from the cradle. **Note:** If the battery requires replacement, only use Pentair replacement battery (P/N 520815Z).

## Using the MobileTouch® Wireless Controller

The range of the controller can be up to 300 feet from its transceiver antenna (line of sight). The transceiver antenna is typically located outside near the IntelliTouch® Control System Load Center. The device can be used all day at full power with a complete battery charge (3 to 4 hours).

To use the MobileTouch® Wireless Controller:

1. Remove the controller from the cradle. The controller can also be used while seated in the cradle with AC power connected to the cradle.
2. Press the Power button on the front right-side to switch the unit ON. The main screen is displayed. The LCD backlight will turn off in five minutes if not in use. The battery icon displays three bars, indicating the battery is fully charged. Press the controller's power switch to switch Off the device.



## System Start-Up

The following information describes basic start-up procedures. For more detailed troubleshooting information, refer to the *IntelliTouch® Control System User's Guide (P/N 521075)*. Before you power up the Power/Load Center check the following:

### Check Electronics

Check that the following plugs are seated correctly on the Personality board:

- Relay connectors - **FLTR PUMP - AUX1 - AUX10**
- Temperature sensors connectors **WATER, SOLAR, AIR**
- Transformer conductor harness **J2** attached to the Personality circuit board.
- Heater control connector **ELEC HTR** or two-conductor screw terminal.

Refer to Summary Installation Steps (page 7) and system wiring diagrams on pages 34-35.

### System Test

The following describes how to test the Outdoor Control Panel to activate the heater, valves and pumps. This test assumes that all system equipment has been properly installed and connected to the Power/Load Center.

#### Testing Valve Actuators and Pumps

Use the following steps to test the valve actuators (CVA24T) for proper rotation. For Outdoor Control Panel System i5+3, i7+3, i9+3 (shared equipment).

To test the valve actuators and pump:

1. Power up the Power/Load Center.
2. Press the **SYSTEM CONTROL** button on the Outdoor Control Panel until the **SERVICE** light is on. .
3. Press the **V (Valve)** button to select **POOL**.
4. Press the **F (Filter Pump)** button to activate the filter pump. Water will be removed from the pool and returned to the pool.
5. Set both valve actuators (CVA-24T) for suction and return. Use the toggle switch on the rear of the CVA-24 to withdraw and return water from the pool.

**Note:** With the filter pump operating, if the water is not being removed and returned to the pool, it may be necessary to reverse the **RETURN** with **VLV A** (or **VLV B**) plugs on the Personality board.

### Testing the auxiliary relays

Affix the auxiliary relay labels to the appropriate buttons on the Outdoor Control Panel. If necessary, write the function on the control panel.

- Toggle the filter pump, each auxiliary circuit, heater and solar and verify the function. Press the **SYSTEM CONTROL** button to set the system in “**AUTO**” mode when done.



## Solar System Installation

- To ensure maximum flow of water through the solar panels, a solar booster pump should be added if panels are installed at a very high elevation.
- It is recommended that the solar panels are mounted in a way that gravity will allow draining whenever the filter pump is not on.
- For systems with glazed panels, damage can occur from overheating if the filter pump is still running after the solar has turned off. To enable glazed panels to automatically drain whenever the solar turns off (even if the filter pump is still running), a 1/2" motorized solar drain valve should be plumbed from the solar feed line, through a check valve, to a zero psi point (such as pool fill line or jet air intake).

## Solar System Start-Up

1. Switch power on to the IntelliTouch® Control System Load Center.
2. If pool cleaner protection has been added to the system, the pool cleaner pump motor should be activated whenever the pool cleaner timer is on. Momentarily turn pool cleaner on and off to check the motor is operating correctly.
3. Check that Solar Valve is in "solar bypass" position, diverting water away from solar panels. If Solar Valve is staged incorrectly (diverting water to the solar panels), reverse switch on back of Valve Actuator (change from ON1 to ON2, or vice-versa). The Valve Actuator will automatically rotate to the correct position.
4. Check that Solar Valve has rotated from the "solar bypass" position to the "solar" position, diverting water through the solar panels.
5. The system is now ready to be operated as desired.

### Pool Cleaner Protection

Recommended for use in pool systems which utilize a "booster pump" pool cleaner. This feature automatically turns off the pool cleaner pump for a few minutes whenever solar is initiated. This will protect the pump from damage caused by air in the solar panels at system start-up.

## Affixing the System Wiring Diagram Label

To affix the wiring diagram label on the enclosure inside front door:

1. Open the enclosure front door.
2. Peel the backing off the IntelliTouch® Control System wiring diagram label.
3. Position the label in middle of the inside of the front door. Apply even pressure on the surface of the label to secure in place.

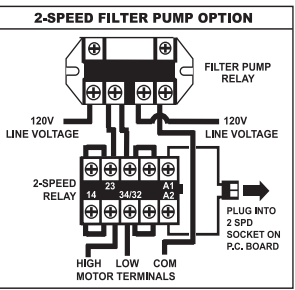
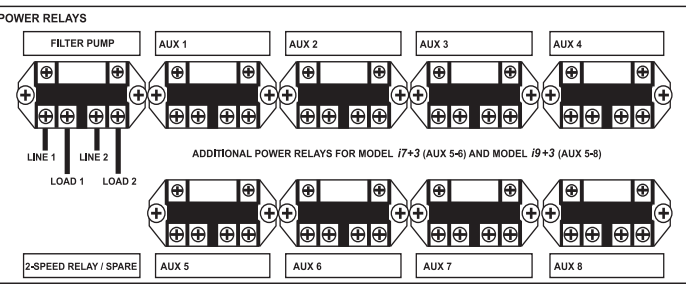
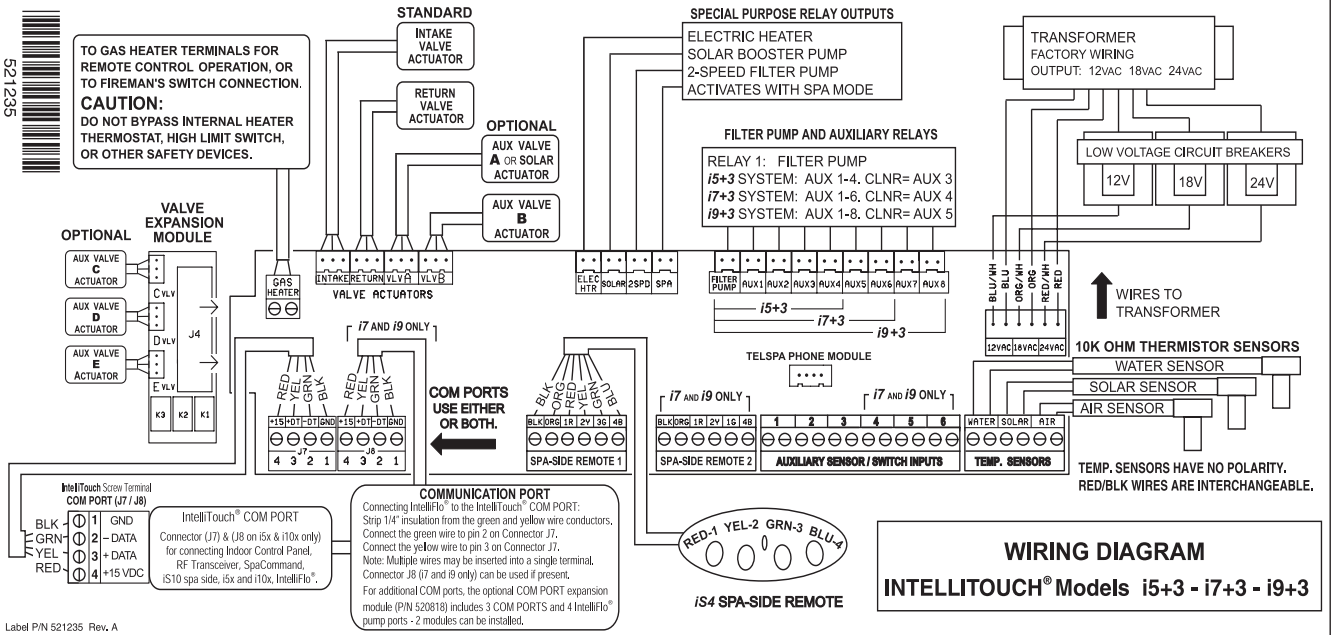
# IntelliTouch® Control System Wiring Diagram (i5+3, i7+3, i9+3)



## WARNING

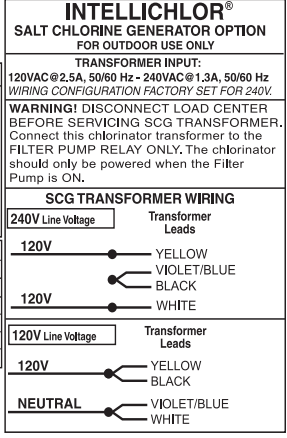
**INSTALL AT LEAST 5 FEET (1.2m) FROM INSIDE WALL OF POOL OR SPA.**

**DISCONNECT ALL SUPPLY CONNECTIONS BEFORE SERVICING. THIS APPLIANCE MAY HAVE UP TO 11 SUPPLY CONNECTIONS.**



**PREVENT WATER DAMAGE**  
**KEEP DOOR CLOSED**

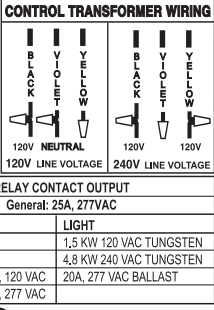
A disconnecting means must be located within sight from the equipment and at least 5 feet (1.52 m) from the inside walls of the pool, spa or hot tub.



**CAUTION: RISK OF ELECTRIC SHOCK, READ INSTALLATION MANUAL.**  
**IMPORTANT:** This Control Panel must be installed in compliance with the National Electrical Code (NFPA 70) including article 680, as well as all local Authority Having Jurisdiction requirements. Mount enclosure with conduit holes down. This control is not provided with integral GFCI protection for the lighting circuit. When this control is used to power or switch an underwater luminaire, suitable GFCI protection shall be provided in the field. Follow manufacturers' instructions for installing and testing of Ground Fault Circuit Breakers (GFCB) and Interrupters (GFCI); (Canada Class A GFCI). An APPROVED GFCI duplex receptacle may be installed in the rectangular knockout provided on the right side of the enclosure. If the panel is installed outdoors, an APPROVED TYPE 3R (RAINPROOF) Cover MUST be installed over the wiring device in the rectangular opening. Make sure connections inside the low voltage compartment are well insulated, connectors properly seated and wiring lugs tightened. After wiring is completed, install front panel over wiring compartment opening.

**WARNING**  
 DO NOT USE AN EASYTOUCH® OR INTELLITOUCH® SYSTEM TO CONTROL AN AUTOMATIC POOL COVER. SWIMMERS CAN BECOME ENTRAPPED UNDER THE COVER, WHICH COULD RESULT IN INJURY AND/OR DEATH.

TYPE 3R "Rainproof" (IPX3). Enclosure suitable for INDOOR or OUTDOOR USE. Control Panel suitable for SWIMMING POOL/SPA applications. Electrical Rating: 120/240VAC 150 AMP Single Phase (3 Wire). The input line to this control panel should be protected by a 240VAC circuit breaker rated at NO MORE than 150 Amperes maximum. Control Transformer Input: 120VAC, 2A; 240VAC, 1A, 50/60Hz. SCG Transformer Input (if equipped): 120VAC, 2.5A; 240 VAC, 1.3A, 50/60 Hz. Short Circuit Current Rating: 5000 RMS SYMMETRICAL AMPERES. Use COPPER CONDUCTORS ONLY. Use 14 AWG to 6 AWG, 60/75°C Copper conductors for all field wiring.



Sanford NC • Moorpark CA

Customer Service 800-831-7133

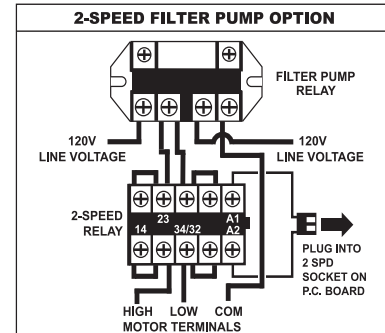
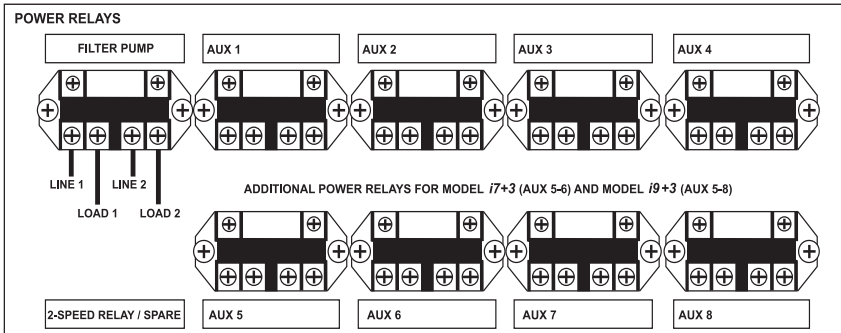
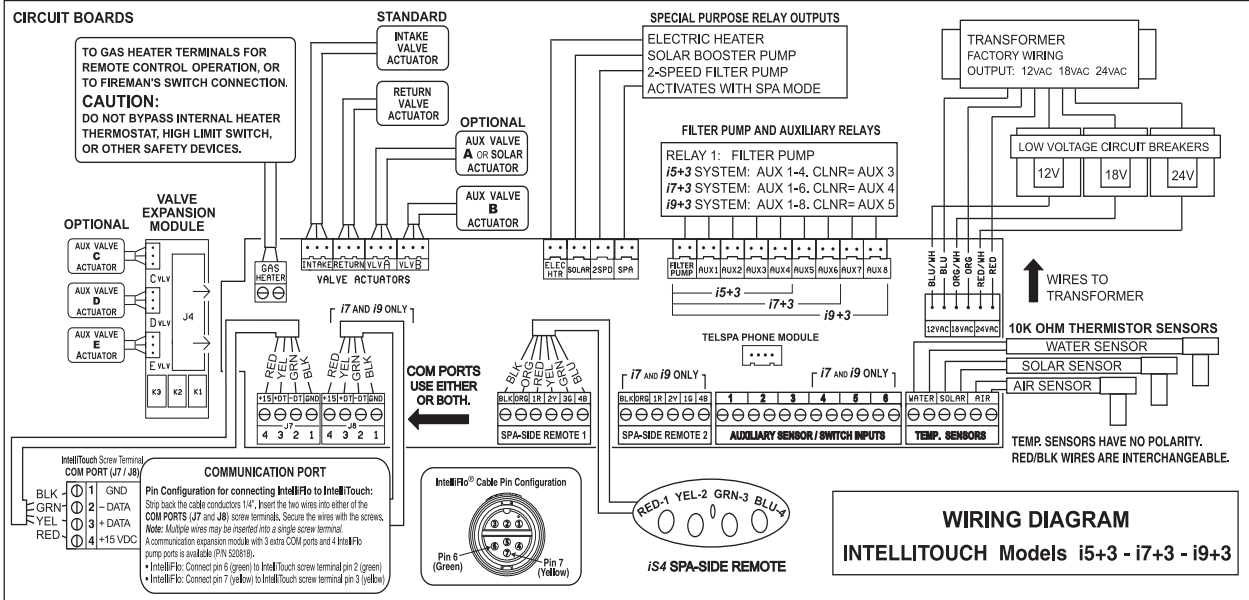
## IntelliTouch® Control System Wiring Diagram



# WARNING PREVENT ELECTROCUTION

INSTALL AT LEAST 5 FEET FROM INSIDE WALL OF SPA OR POOL

**DISCONNECT ALL CONNECTIONS BEFORE SERVICING THIS UNIT. THIS APPLIANCE HAS UP TO 11 SUPPLY CONNECTIONS.**

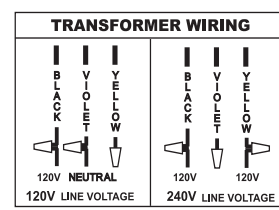


**RAINFOOF (TYPE 3R) CONTROL PANEL, FOR INDOOR OR OUTDOOR USE.**  
SUITABLE FOR SWIMMING POOL/SPA APPLICATIONS.  
120V/240V 125 AMP MAX. SINGLE PHASE.  
60 - 75 °C. MIN. INSULATION – REQUIRED ON ALL FIELD WIRING.  
SHORT CIRCUIT RATING: 5000 SYMMETRICAL AMPERES.  
TRANSFORMER INPUT: 120V, 2A., 50/60Hz;  
240V, 2 WIRES, 1A., 50/60Hz.

RELAY CONTACT OUTPUT	
General: 25A, 277VAC	
PUMP	LIGHT
1.5 HP 120 VAC	1.5 KW 120 VAC TUNGSTEN
3 HP 277 VAC	4.8 KW 240 VAC TUNGSTEN
20 FLA/120 LRA, 120 VAC	20A, 277 VAC BALLAST
17 FLA/102 LRA, 277 VAC	

**PREVENT WATER DAMAGE**  
**KEEP DOOR CLOSED**

**CAUTION: RISK OF ELECTRIC SHOCK, READ INSTALLATION MANUAL.**  
**IMPORTANT:** This control panel must be installed according to the National Electrical Code (including article 680) and local code requirements. Mount with conduit hole down. The main lugs and neutral main are suitable for No. 14 to 2 AWG conductors. Use No. 14 to 6 AWG COPPER or ALUMINUM conductors for branch circuit wiring. Install interchangeable circuit breakers designed to fit this control panel interior, see list of suitable types below. Follow manufacturers instructions for installing and testing of ground fault circuit breakers (GFCB) and interrupters (GFCI). Additional approved wiring devices may be installed in the rectangular side knockout or inside the enclosure, provided the wiring devices have lead connections. Otherwise, the device with uninsulated terminals must be covered by internally installed metallic or nonmetallic wall box. When using side knockout, an approved rainproof cover must be installed over the wiring device if used outdoors. Make sure connections to low voltage compartment are sound and properly insulated. After wiring, install front panel over wiring compartment and close unused breaker openings with filler plates.



A disconnecting means must be located within sight from the equipment and at least 5 feet (1.52 m) from the inside walls of the pool, spa or hot tub.

## IntelliTouch® Control System Wiring Diagram (Load Center)

LABEL PIN 520451 REV.F

## Plumbing Requirements

It is important that the pool and spa plumbing system be in accordance with local codes and the Recommended Hydraulic Schematics (page 37 - 39). Before starting, please review the diagrams and the following recommended guidelines:

- 1 The spa should be at or above the level of the pool.

If the spa is attached to the pool, provide a dam between the two bodies of water to allow the spa to overflow into the pool. If the spa is not attached to the pool, an overflow, sufficient in size to carry a full pump-flow, must be installed at the water level in the spa.

- 2 Plumb a three-port **Intake Valve** on the suction-side of the filter pump, so that the center port of the valve is connected to the pump inlet. Connect the spa suction to one side of the Intake Valve, and the pool suction to the other side.

- 3 Plumb a three-port **Return Valve** on the return-side of the heater, so that the return water will enter the valve through the center port.

Connect the spa return to one side of Return Valve, and the pool return to the other side.

- 4 If required, install a spa make-up line (consisting of a manual gate or ball valve, for elevated spas install a check valve) to bypass the pool return line. This will enable some of the chemically-balanced water from the pool to cycle through the spa. The manual valve will allow the amount of bypass to be adjusted.

- 5 If the spa is to be constructed in concrete, special provision should be made at this time for the installation of the **Spa-Side remote Control**.

Select a convenient location in the deck or above water level in the spa wall (where the Spa-Side remote will not be submerged by the spa water), and install a 6 in. to 12 in. length of one inch PVC pipe to provide a receptacle for the Spa-Side remote. The pipe should be level and protrude beyond the finished surface of the spa. It will be cut back later at installation time. Reduce the pipe size down to ½ in. or ¾ in. conduit, and run it to the proposed Load/Power Center location at the equipment pad. Use sweep elbows for turns.

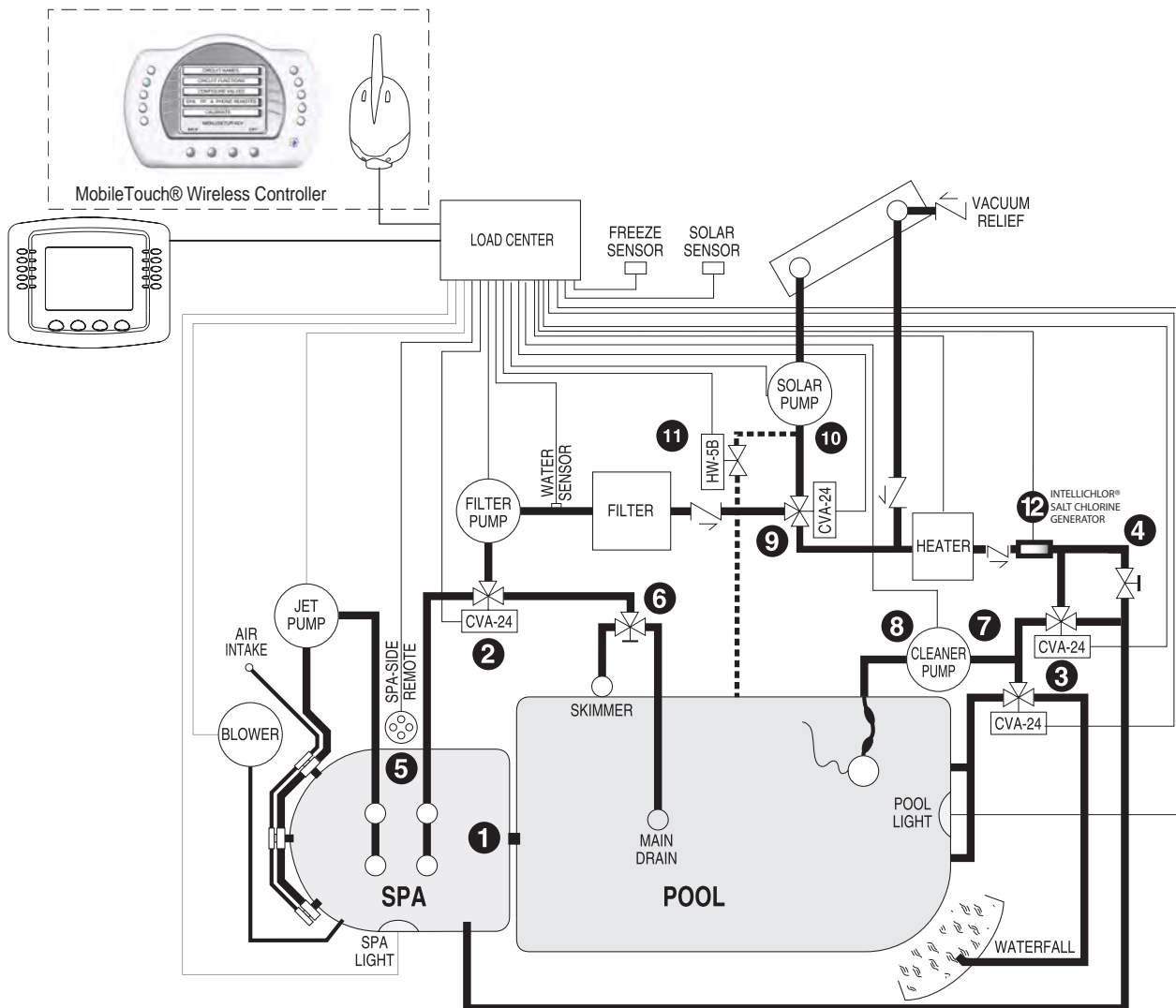
**The Spa-Side remote will not be installed until the spa construction is completed.**

- 6 For systems which incorporate a skimmer, it is possible to balance the amount of suction between the skimmer and main drain for maintenance purposes. This is easily accomplished by installing a manual three-port mixing valve at the suction line. Plumb one port to the skimmer and the other to the main drain.
- 7 If a “non-booster pump” pressure-side pool cleaner is being used, plumb a manual three-port valve between the filter pump and filter, with the third port plumbed to the pool cleaner line, and install a motorized two-port **Pool Cleaner Valve** at this line. The motorized valve will automatically open whenever the Control System activates the pool cleaner.
- 8 If a booster pump pool cleaner is being used, plumb the booster pump so that its suction-side is connected to the pool return, after the heater, and as close to the ground as practical.

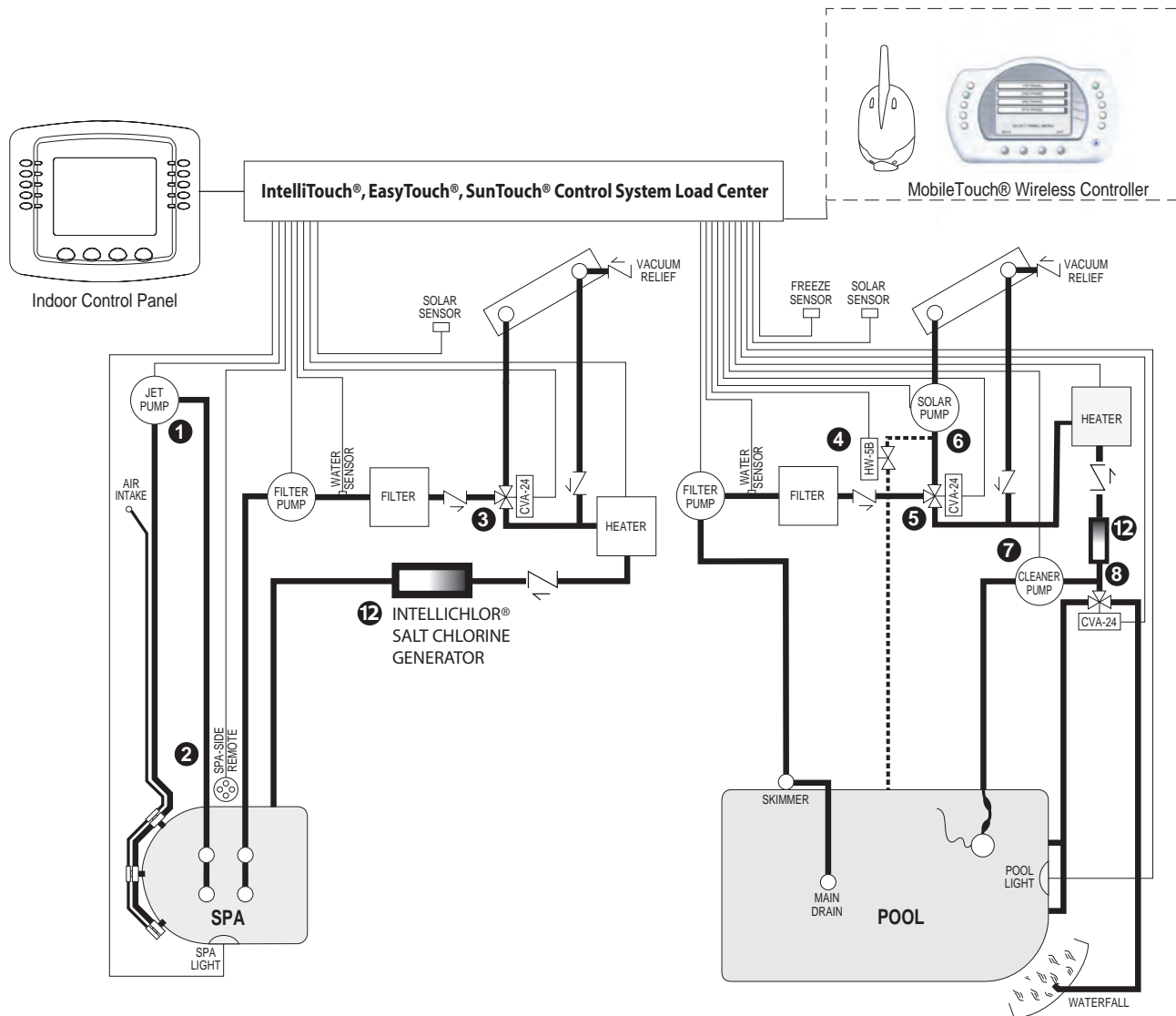
- 9 Plumb the solar feed and return lines between the filter and the heater. Install a three-port valve at the feed line. Use a solar valve (model SOL-2T), to allow automatic draining of the panels.
- 10 A solar booster pump should be used when the distance to the panels exceed 200 ft., or the panels are elevated higher than 25 ft.
- 11 Glazed solar panels require a drain valve (model HW-5B) to allow draining of the panels. This prevents damage from overheating water. Install a drain valve at the solar feed line and connect to the pool fill line.
- 12 **Salt Chlorine Generator (SCG):** IntelliChlor® Salt Chlorine Generator IC40 or IC20 salt chlorine generator cell with check valve at the heater output. Refer to IntelliChlor® Salt Chlorine Generator User's Guide (P/N 520589) for plumbing requirements.

## Equipment Location

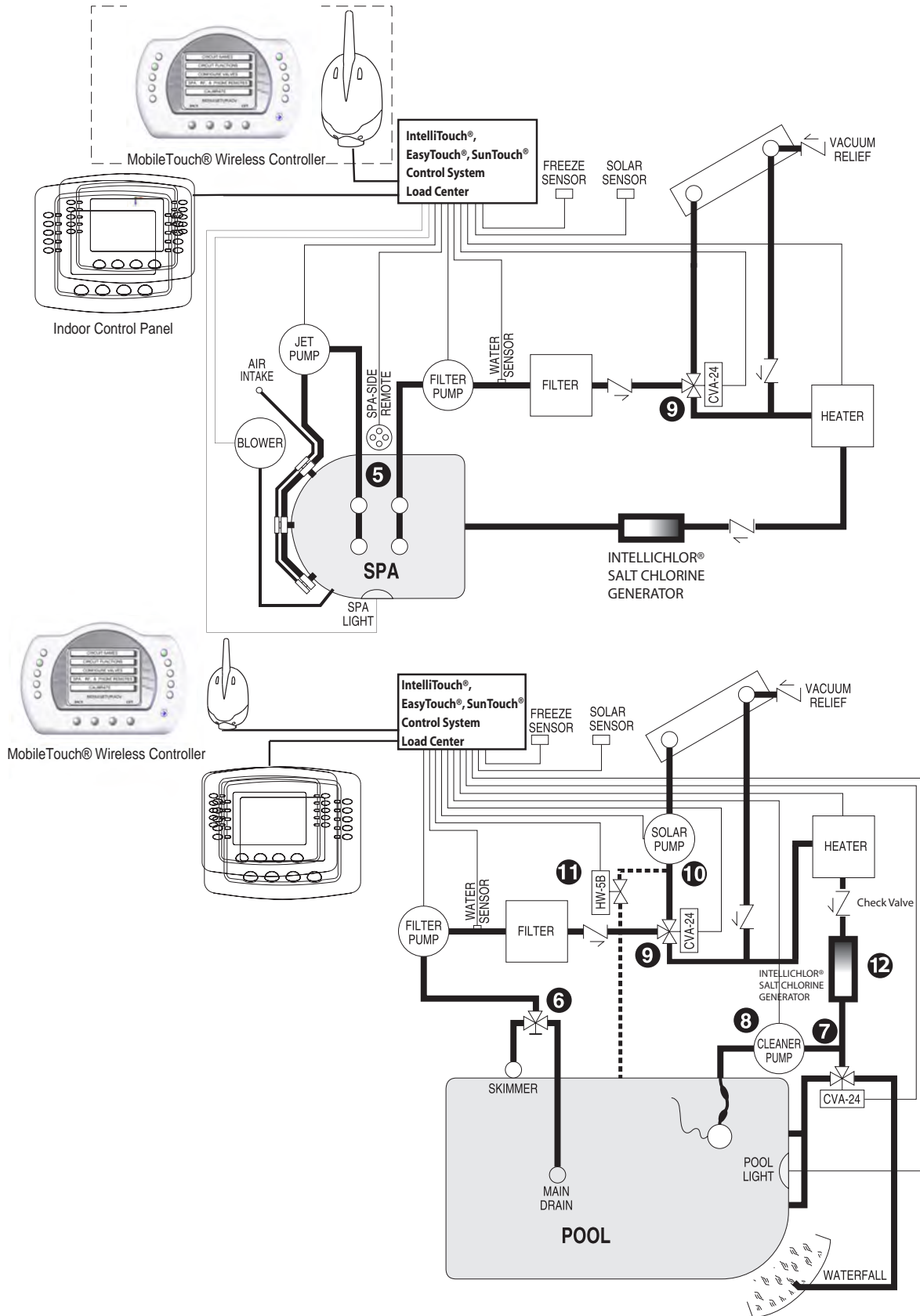
All equipment, with the exception of the Spa-Side remote, must be located at least 5 ft. from the water's edge.



Recommended Hydraulic Schematic for Shared Equipment System



Recommended Hydraulic Schematic for Dual Equipment System



### Recommended Hydraulic Schematic for Single Body System



## Glossary

**Expansion Kit (IntelliTouch® Control System):** A kit that includes additional auxiliaries to an existing Personality Kit. Requires a Load Center for each Expansion Kit Power Center.

**Feature Circuits:** Programmable circuits that may control relays and/or valve actuators. For details, see the IntelliTouch® Control System User's Guide (P/N 521075)

**High Voltage Compartment:** Large lower right compartment of Load Center for all high voltage wiring including circuit breakers, relays, and GFCI.

**Indoor Control Panel:** IntelliTouch® Control System remote control panel with LCD (liquid crystal display) is wired to the Personality circuit board in the Power/Load Center. The control panel can be wall mounted inside a house to control the IntelliTouch® Control System.

**SpaCommand® Controller:** Ten function spa-side remote with temperature changing capability. Can be spa wall or deck mounted.

**Load Center:** Metal enclosure with power relays, transformer, and circuit breakers. The Load Center is installed prior to Personality Kit installation. Used for distributing power for controlling IntelliTouch® Control System. Also known as the "sub-panel."

**Low Voltage Compartment:** Top compartment of Load Center for all low voltage wiring.

**Low Voltage Raceway:** Vertical space in the left side of Power/Load Center for low voltage cabling.

**MobileTouch® Wireless Controller (IntelliTouch® Control System):** Wireless controller for the IntelliTouch® Control System with all the functionality of the Indoor Control Panel.

**Mud Box:** Enclosure to provide mounting features for SpaCommand® Controller that is cast into gunite, concrete, or other spa wall/deck construction.

**Outdoor Control Panel:** Control panel with flexible hinge installed in upper portion of Power/Load Center to control IntelliTouch® Control System.

**Personality Board (IntelliTouch® Control System):** The circuit board mounted on top of the Outdoor Control Panel control board. The Personality board defines the system capabilities.

**Personality Kit (IntelliTouch® Control System):** Set of parts to define the capability of a system; may include: Outdoor Control Panel, temperature sensors, actuators, control panel (Indoor or MobileTouch® Wireless Controller), additional relays, actuators.

**Power Center:** Same as Load Center with the exception of the circuit breaker base.

**Relay Circuits:** The circuits that control the relays on the IntelliTouch® Control System Personality Circuit. Connectors on top edge of the circuit board.

**Screw Terminal Connector:** Removable connector that may attach to circuit board with multiple sockets (anywhere from 2 to 12) to receive conductors from controllers and sensors; conductors held by screw terminals; multiple conductors of a small enough gauge (usually 22 AWG) may be coupled to a single socket of a terminal connector.

**Transceiver:** Circuit board with attached antenna that can send and receive radio frequency (wireless) transmissions. Used with wireless controllers.



---

## Notes



1620 HAWKINS AVE., SANFORD, NC 27330 • (919) 566-8000  
10951 WEST LOS ANGELES AVE., MOORPARK, CA 93021 • (805) 553-5000

[www.pentairpool.com](http://www.pentairpool.com)

All Pentair trademarks and logos are owned by Pentair Inc. Pentair Aquatic Systems™, and IntelliTouch®, EasyTouch®, QuickTouch®, IntelliChlor®, ScreenLogic®, ScreenLogic2®, MobileTouch®, SpaCommand®, iLink™, Amerlite®, SpaBrite®, and UltraTemp® are trademarks and/or registered trademarks of Pentair Water Pool and Spa, Inc. and/or its affiliated companies in the United States and/ or other countries. iPhone®, iPad®, and iPod touch® are registered trademarks of Apple Inc in the United States and/or other countries, Ethernet™ is a trademark of Ethernet, LLC., Windows®, Windows Vista® and Windows XP® are registered trademarks of Microsoft Corporation. Unless expressly noted, names and brands of third parties that may be used in this document are not used to indicate an affiliation or endorsement between the owners of these names and brands and Pentair Water Pool and Spa, Inc. Those names and brands may be the trademarks or registered trademarks of those third parties. Because we are continuously improving our products and services, Pentair reserves the right to change specifications without prior notice. Pentair is an equal opportunity employer.

© 2013 Pentair Aquatic Systems Inc.. All rights reserved. This document is subject to change without notice.



P/N 521074 REV. B 8/13