



ScreenLogic™ Wireless Connection Kit



Installation Guide

Technical Support

Contact Technical Support at:

Sanford, North Carolina (8 A.M. to 5 P.M.)

Phone: (800) 831-7133

Fax: (919) 566-8920

Moorpark, California (8 A.M. to 5 P.M.)

Phone: (800) 831-7133

Fax: (800) 284-4151

Web sites: visit www.pentairpool.com and www.staritepool.com

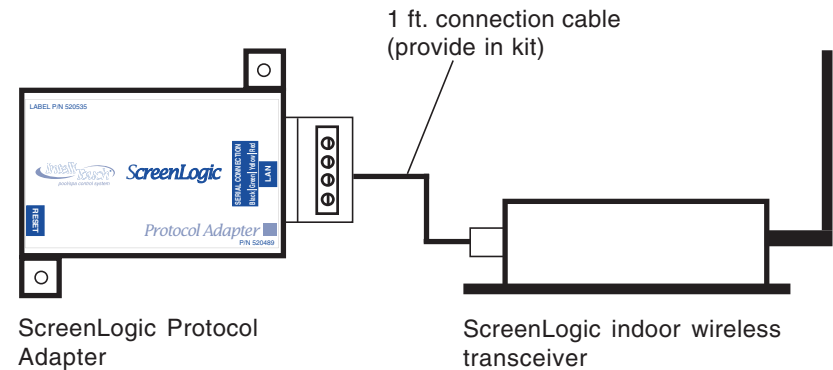
Related IntelliTouch Manual

IntelliTouch ScreenLogic User's Guide (P/N 520493)

**Step 2:
Connect the ScreenLogic Indoor Wireless Transceiver to the ScreenLogic Protocol Adapter**

To connect the ScreenLogic indoor wireless transceiver to the ScreenLogic Protocol adapter:

1. Using the provided connection cable, connect one end of the cable to the ScreenLogic Protocol adapter and the other end to the ScreenLogic indoor wireless transceiver. The cable plugs are keyed for easy connection.
2. Plug the ScreenLogic Wireless Connection transceiver AC adapter wall-plug into an AC grounded electrical outlet.



Protocol Adapter	<----->	Indoor wireless transceiver
RED (Pin 4)	<----->	RED (Pin 1)
YELLOW (Pin 3)	<----->	GREEN (Pin 2)
GREEN (Pin 2)	<----->	YELLOW (Pin 5)
BLACK (Pin 1)	<----->	BLACK (Pin 6)

Wiring Configuration

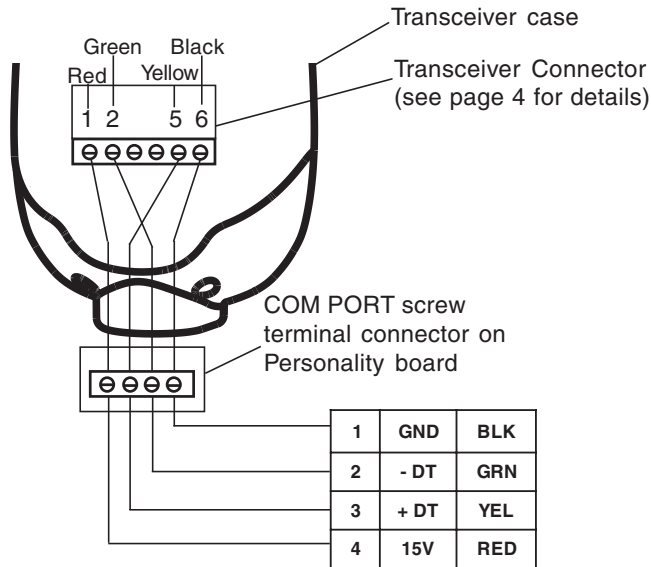
© 2006 Pentair Water Pool and Spa, Inc. All rights reserved.

1620 Hawkins Ave., Sanford, NC 27330 • (919) 566-8000
 10951 West Los Angeles Ave., Moorpark, CA 93021 • (805) 523-2400

This document is subject to change without notice.

Trademarks and Disclaimers. The trademark IntelliTouch is a registered trademark of Pentair Water Pool and Spa, Inc. ScreenLogic is a trademark of Pentair Water Pool and Spa, Inc. Other trademarks and trade names may be used in this document to refer to either the entities claiming the marks and names or their products. Pentair Water Pool and Spa, Inc. disclaims proprietary interest in marks and names of others.

Note: Install the ScreenLogic outdoor wireless transceiver within 10 feet from Load Center



Personality board COM PORT Pin configuration

7. After the connection has been completed, close the control panel into its original position and secure it with the two access screws.
8. Install the front panel and secure it with the two retaining screws.
9. Close the Load Center front door. Fasten the two spring latches.
10. Switch the power on to the IntelliTouch Load Center.
11. Proceed to the **“Connect the ScreenLogic Indoor Wireless Transceiver to the ScreenLogic Protocol Adapter”** on page 8.

Contents

Introduction	1
ScreenLogic Wireless Connection Kit Contents	1
In this Installation Guide	1
Summary installation steps	1
Step 1: Mount the Outdoor Wireless Transceiver and Connect to the IntelliTouch Load Center	3
Step 2: Connect the Indoor Wireless Transceiver to the ScreenLogic Protocol Adapter	8



FCC Regulatory Safety Notice - This equipment has been tested and found to comply with the limits for a Class B digital device, pursuant to Part 15 of the FCC Rules. These limits are designed to provide reasonable protection against harmful interference in a residential installation. This equipment generates, uses and can radiate radio frequency energy and, if not installed and used in accordance with the instructions, may cause harmful interference to radio communications. However, there is no guarantee that interference will not occur in a particular installation. If this equipment does cause harmful interference to radio or television reception, which can be determined by turning the equipment off and on, the user is encouraged to try to correct the interference by one or more of the following measures:

- Reorient or relocate the receiving antenna.
- Increase the separation between the equipment and receiver.
- Connect the equipment into an outlet on a circuit different from that to which the receiver is connected.
- Consult the dealer or an experienced radio/TV technician for help.
- Modifications not expressly approved by the party responsible for FCC compliance could void the user's authority to operate the equipment.

Introduction

Your ScreenLogic Wireless Connection kit consists of two wireless 900 Mhz transceivers which provides a wireless connection between the ScreenLogic Protocol adapter and the IntelliTouch Load Center located at the equipment pad. This wireless connection eliminates the existing hard wire connection from inside your home to the equipment pad.

ScreenLogic Wireless Connection Kit Contents

The following items are included in the Wireless Connection kit. If any items are missing please contact Technical Support.

- One ScreenLogic indoor wireless transceiver with AC power adapter and one foot connection cable with attached plugs.
- One ScreenLogic outdoor wireless transceiver with 10 foot attached cable
- ScreenLogic Wireless Connection Installation Guide (this manual)

In this Installation Guide

Use the information in this manual for installing the Wireless Connection kit contents.

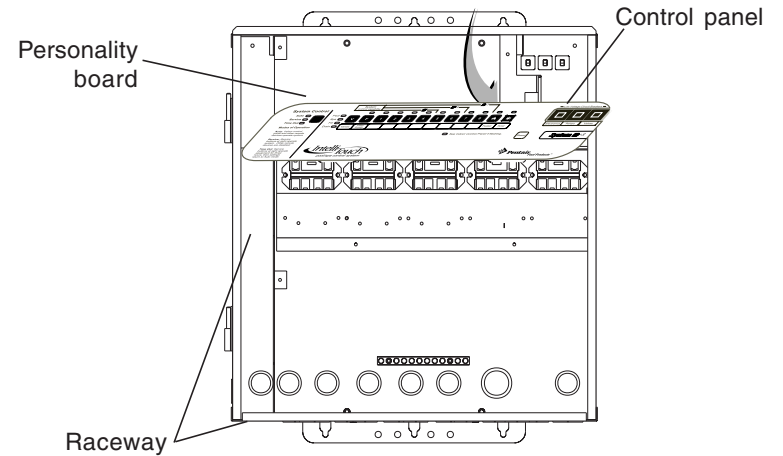
- For ScreenLogic system operating instructions, refer to the ScreenLogic User’s Guide (P/N 520493)

Summary installation steps

The ScreenLogic connection diagram on page 2 shows the transceiver locations and connections. To install the ScreenLogic Wireless Connection kit:

- Mount the transceiver antenna near the IntelliTouch Load Center and connect the transceiver to the Personality board (COM port) located in the IntelliTouch Load Center.
- Connect the ScreenLogic indoor wireless transceiver to the ScreenLogic Protocol adapter. Plug the transceiver AC power adapter into an AC wall-outlet and into the transceiver unit to power the unit.

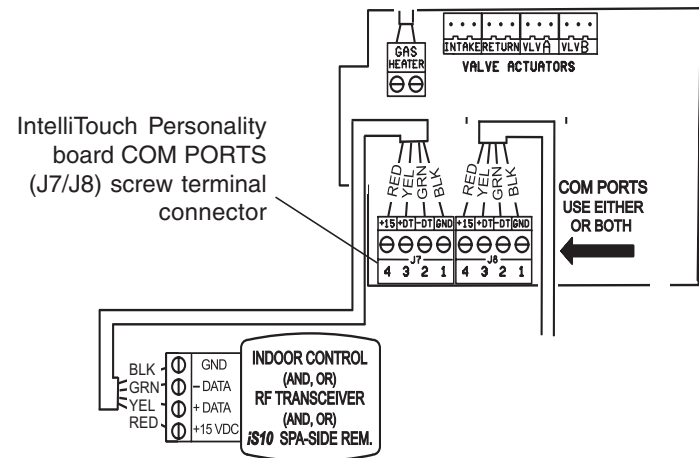
5. Route the four conductor transceiver connection cable into the lower plastic grommet, up through the low voltage raceway to the Personality board.



6. Strip back the cable conductors ¼ in. Insert the wires into the screw terminals of the COM PORT plug located on the Personality board as shown below. Using a small flat-blade screwdriver, secure the wires with the screws. Make sure to match the color coding of the four wires:

Pin 4 - Red = +15
 Pin 3 - Yellow = +DT
 Pin 2 - Green = -DT
 Pin 1 - Black = GND

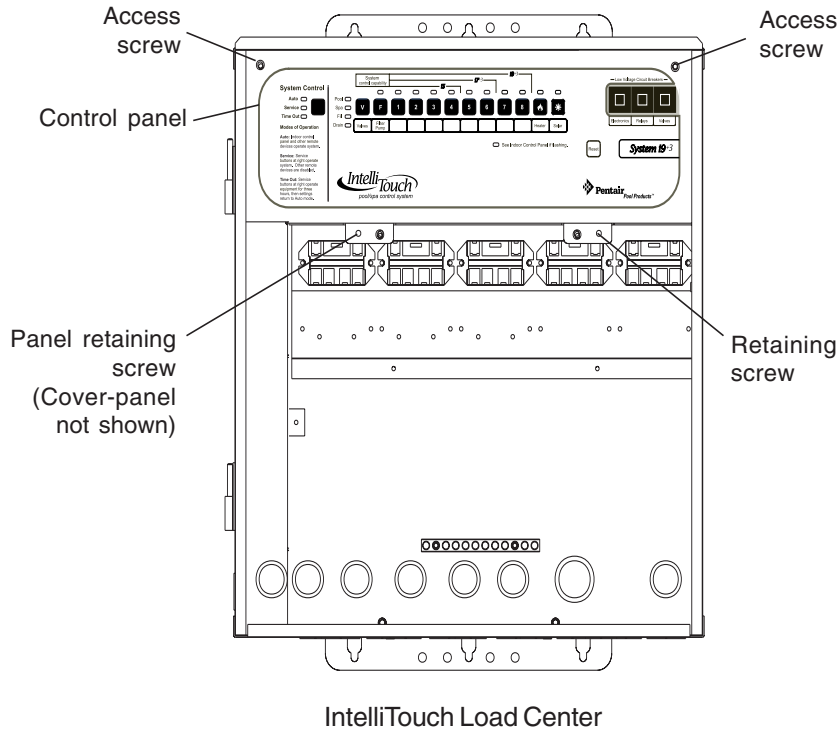
Note: If necessary, multiple wires may be inserted into a single screw terminal.



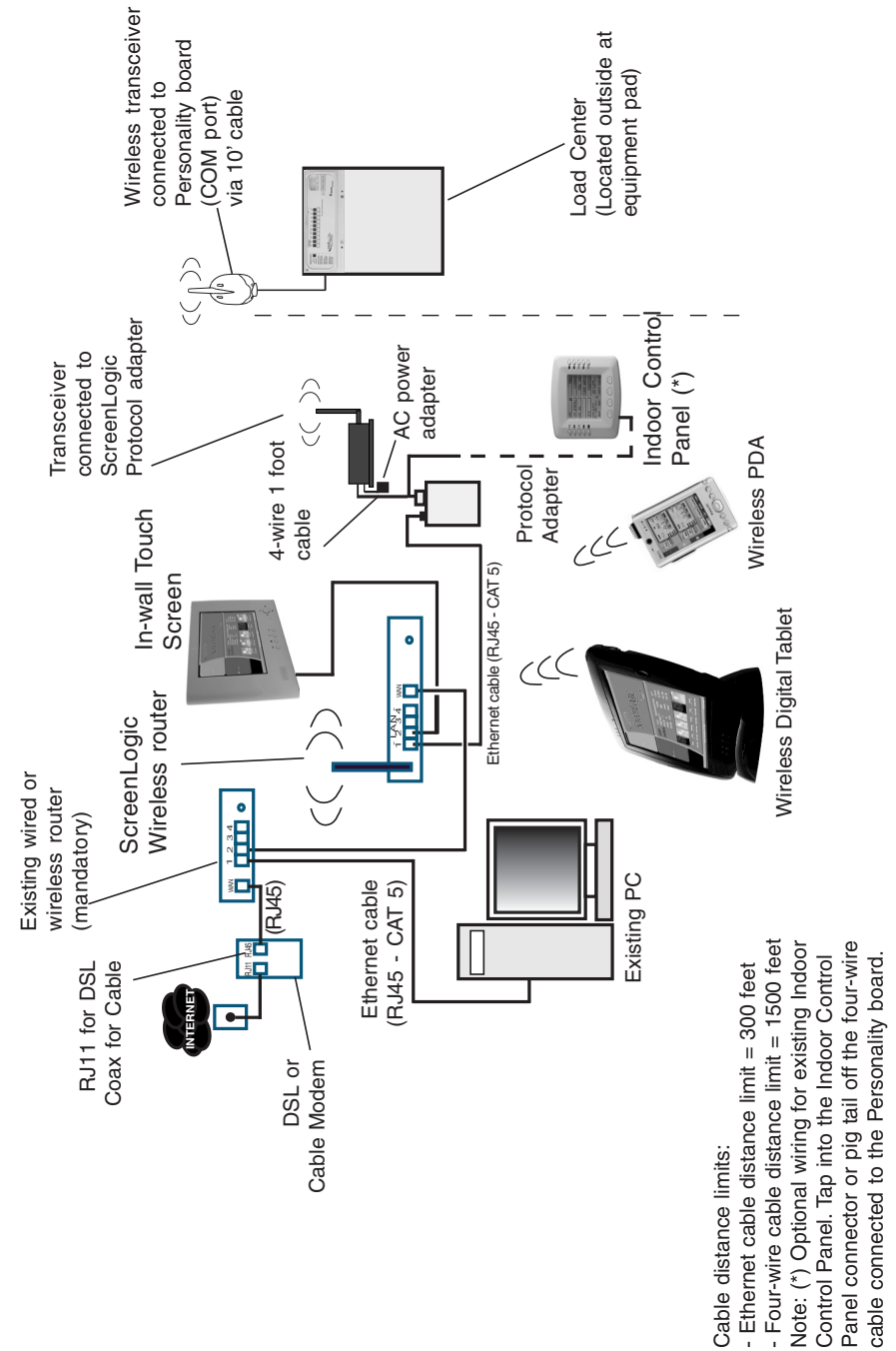
Connect the Transceiver connection cable to the Personality board

⚠ WARNING Switch OFF the main system power to the Load Center before making any connections.

1. Unlatch the two front door spring latches, and open the door.
2. Remove the two retaining screws securing the high voltage cover-panel, and remove it from the load center enclosure.
3. Loosen the two access screws securing the control panel and fold it down.



4. With the control panel in the open position, you can access the Personality board connectors.



Step 1: Mount the Outdoor Wireless Transceiver and Connect to the IntelliTouch Load Center

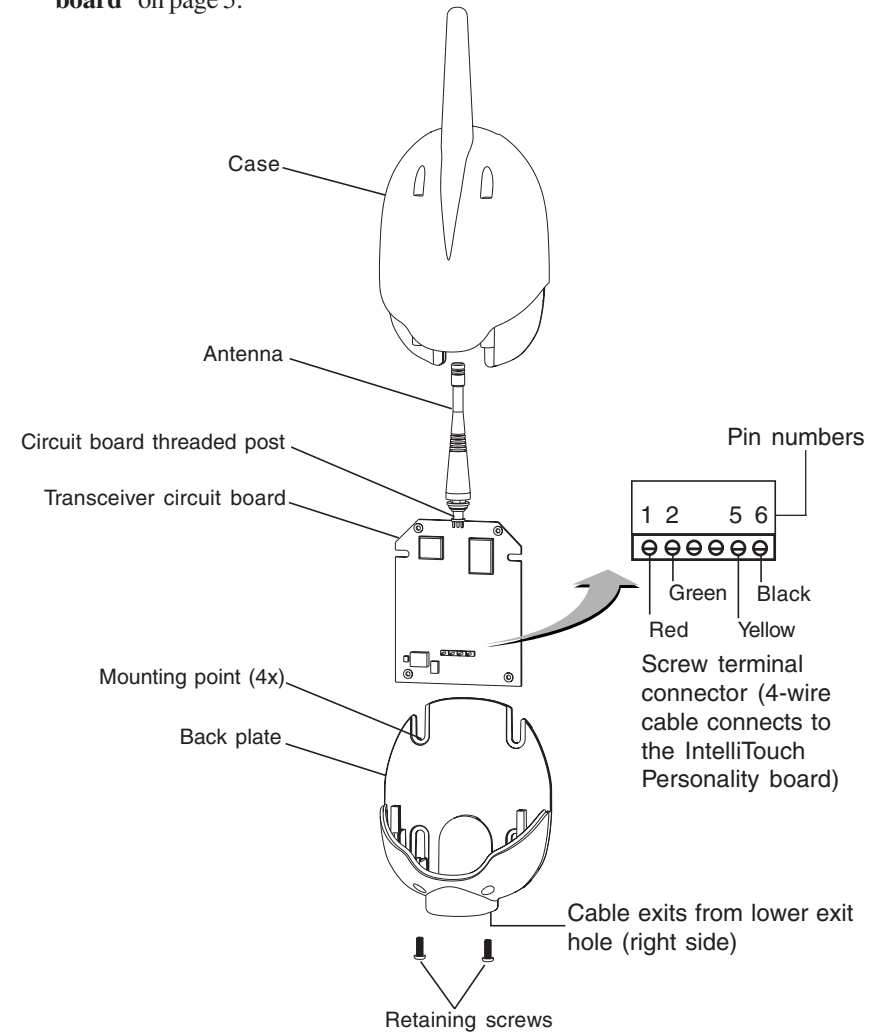
The following describes how to mount the outdoor transceiver at a location near the IntelliTouch Load Center and connect the four-wire cable to the Personality board located in the IntelliTouch Load Center.

Mount the Transceiver module

The Transceiver is a two-way radio device with an attached antenna that communicates to and from the IntelliTouch system. Mount the transceiver at a convenient location (on a flat vertical surface) near the load center, at a minimum of 5 ft. above ground level to optimize the transmit and receive operating range. To avoid signal interference, mount the transceiver 10 feet away from the IntelliTouch Load Center, any metal surface/structure, or air blower located in the immediate area of the equipment pad.

1. Slide the transceiver case off the back plate. The transceiver cable is routed through the lower exit hole (right side) at the bottom of the back plate. The connector on the other end of the cable plugs into the transceiver board. Open the plastic bag inside the case and remove the transceiver antenna and transceiver case screws, and set them aside.
2. Position the back plate against the mounting surface so that the transceiver is oriented in an upright position (with the antenna pointing upwards). Use a pencil to mark the four mounting points. Drill four 3/16 in. diameter holes into the mounting surface.
3. Position the back plate (with attached connection wire) over the mounting points and secure it with four screws.
4. **⚠ CAUTION - Electrostatic Discharge (ESD): Hold the circuit board from the edges. Do not touch the board components, electrostatic discharge can damage the board.** Carefully remove the transceiver circuit board from its bag. While holding the transceiver circuit board on its edges, screw the antenna on the board threaded post. Do not over tighten.
5. Carefully connect the connection cable plug onto the transceiver circuit board.

6. Position the transceiver circuit board with antenna into the mounted back plate. Align the board to the left side of the back plate.
7. Slide the case over the circuit board and antenna into the back plate. You may need to reposition the transceiver board inside the case to fully close the case. Secure the circuit board in the case using the two retaining screws provided in the plastic bag.
8. Proceed to “**Connect the Transceiver connection cable to the Personality board**” on page 5.



Transceiver Module