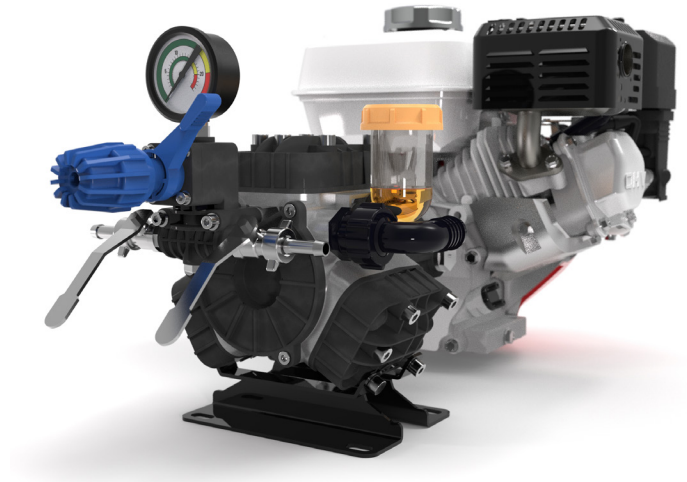


# MEDIUM PRESSURE POLY DIAPHRAGM PUMP WITH HONDA™ ENGINE

## D303GRGI-160H

### FEATURES

- ◆ Hardened black oxide aluminum heads, manifold, and case.
- ◆ Three Duramax diaphragms, crown shaped pistons, and double piston rings.
- ◆ Valves: 316 stainless steel spherical profiled valve poppet.
- ◆ Inlet Port: 1"/25mm
- ◆ Outlet Port: 1/2" NPT
- ◆ Max Fluid Temp: 140°F/60°C
- ◆ Weight: 16.1 lbs/7.3 kg
- ◆ Diaphragm Pump,
- ◆ Gearbox & Controller,
- ◆ 3/4" H Shaft,
- ◆ 8.2 GPM with a Honda engine GX160 - 9 GPM,
- ◆ 580 PSI



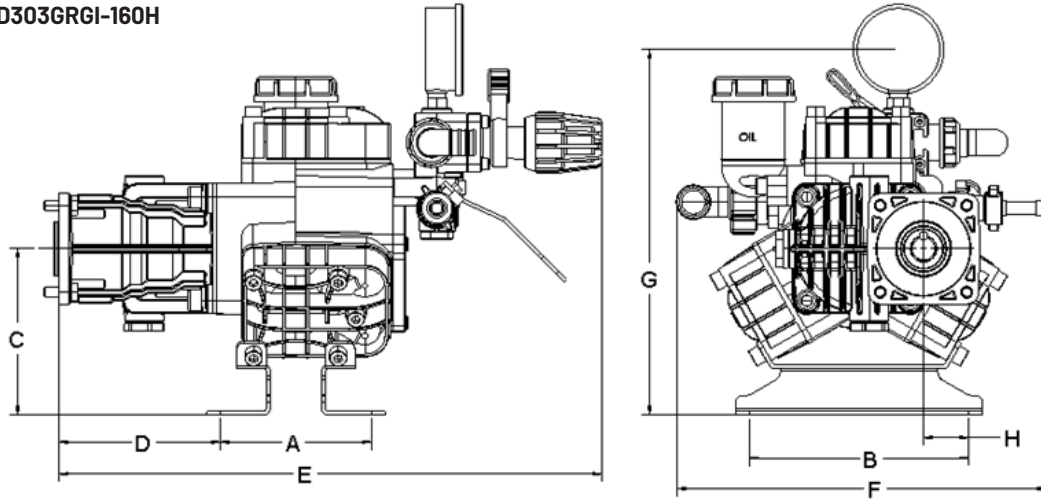
### PERFORMANCE INFORMATION

PRESSURE PSI	RPM							
	400		450		500		550	
	GPM	HP	GPM	HP	GPM	HP	GPM	HP
30	6.9	0.1	7.6	0.2	8.3	0.2	9.0	0.2
290	6.5	1.3	7.2	1.4	7.9	1.5	8.5	1.7
435	6.4	1.9	7.0	2.1	7.7	2.3	8.3	2.5
580	6.3	2.5	6.9	2.8	7.6	3.0	8.2	3.3

PRESSURE BAR	RPM							
	400		450		500		550	
	LPM	KW	LPM	KW	LPM	KW	LPM	KW
2	26.2	0.1	28.8	0.1	31.4	0.1	34.0	0.1
20	24.6	1.0	27.1	1.1	29.5	1.2	32.0	1.3
30	24.2	1.4	26.7	1.6	29.1	1.7	31.5	1.9
40	23.8	2.0	26.2	2.1	28.6	2.2	31.0	2.4

**DIMENSIONAL DATA**

**D303GRGI-160H**



DIM	IN	MM
A	4.3	110
B	6.4	162
C	4.9	125
D	4.8	123
E	16.0	408
F	10.9	277
G	10.8	275
H	1.3	34

**ORDERING INFORMATION**

MODEL NUMBER	DESCRIPTION	MAX FLOW GPM (LPM)	MAX PRESSURE PSI [BAR]	MAX SPEED RPM	POWER HP [KW]	# OF DIAPHRAGMS
9915-D303	PUMP ASSEMBLY	8.1[31]	580 [40]	650	3.2 [2.4]	3
9915-D303GRGI	PUMP GEARBOX CONTROLLER 3/4" HOLLOW SHAFT			3450		
9915-D303AP-A	PUMP 3/4" SOLID SHAFT			650		
9915-KIT1002	CONTROL UNIT	-	-	-	-	-
9915-KIT1404	CONTROL UNIT REMOTE MOUNTING KIT	-	-	-	-	-
9915-KIT2002	DIAPHRAGM KIT	-	-	-	-	-
9915-KIT2102	VALVE KIT	-	-	-	-	-
9915-KIT2202	PUMP KIT	-	-	-	-	-
9915-KIT1103	GEAR REDUCTION KIT 3/4" SHAFT	-	-	-	-	-
9915-KIT1201	3/4" SHAFT KIT	-	-	-	-	-
9915-KIT1202	1" SHAFT KIT	-	-	-	-	-
9915-KIT1203	1-3/8" MALE SPLINED SHAFT KIT	-	-	-	-	-



375 Fifth Ave NW,  
New Brighton, MN 55112 U.S.  
Ph: 651-766-6300, 800-424-9776  
Fx: 800-323-6496

[pentair.com](http://pentair.com)

All indicated Pentair trademarks and logos are property of Pentair. Third party registered and unregistered trademarks and logos are the property of their respective owners. Because we are continuously improving our products and services, Pentair reserves the right to change specifications without prior notice. Pentair is an equal opportunity employer.

<sup>TM</sup>Honda is a registered trademark of Honda Motor Co., Ltd.

©2022 Pentair. All Rights Reserved.

HYP40004 (09/01/22)